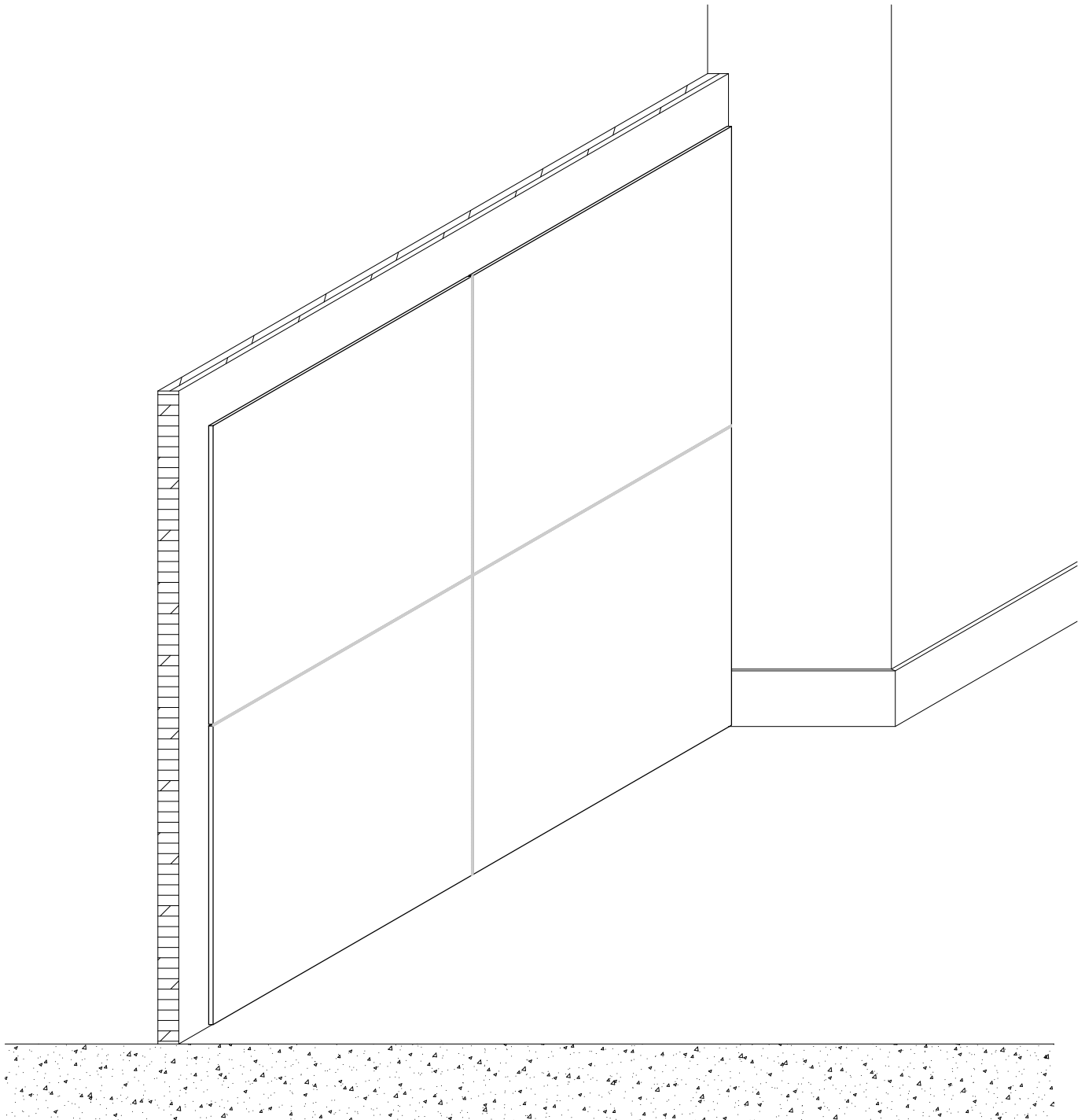


# INSTALLATION INSTRUCTIONS





# TABLE OF CONTENTS

## GENERAL

Construction Notes .....Page 1  
 Disclaimer .....Page 2

## PARTS LIST

ACM & Adhesives .....Page 3

## ACM DIRECT APPLY INSTALLATION

Apply Adhesive to Panel ..... Page 4

**NOTE:**  
 DRAWINGS NOT SHOWN TO SCALE  
 UNLESS OTHERWISE NOTED.

## CONSTRUCTION NOTES

For the following information, the term “customer” refers to the project’s owner and/or their representatives, such as the project’s architect, design engineer, and general contractor.

Concerning the application of ACM panels for a specific project, the customer is responsible for ensuring the following:

1. The wall panels are suitable for the purpose which they are to be used.
2. The project’s structural framing is properly designed and in satisfactory condition to accept the erection and design loads imposed by the ACM panels, and is properly designed for the applicable service considerations, such as expansion/contraction and vibration, etc.
3. The application of exterior and/or interior panel joint seals and perimeter seals are properly specified for the project’s moisture and vapor control requirements.
4. The selection of a competent installer who is qualified and experienced in the proper installation of composite panels and related construction.
5. The customer must ensure that the installer takes time to study and understand the project’s installation drawings and adapts or modifies the information in this installation guide as necessary to meet the project’s specific requirements.
6. The wall panels and related components are installed in compliance with the applicable codes, regulations, and good engineering and construction practices, and in accordance with the project’s installation drawings and the applicable portions of this installation guide.

## CONSTRUCTION NOTES

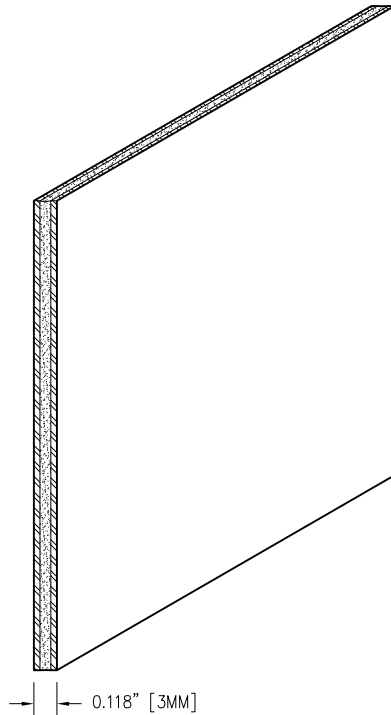
### DISCLAIMER:

API does not guarantee and is not liable for the quality of installation. API is not responsible for defects that may be attributed to improper installation or the negligence of other parties.

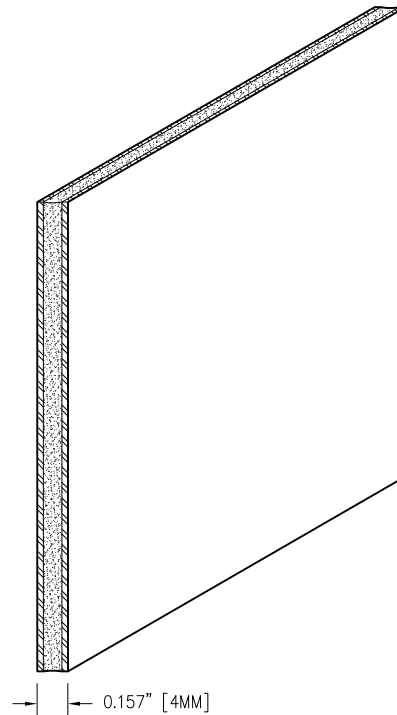
Unless specified in writing, API makes no expressed or implied warranties pertaining to the fitness of the ACM panels or its components for any particular purpose by the owner, and shall not be responsible for any indirect or consequential damages, such as to building contents, nor for any further loss of any kind to the owner or contractor.

Unless specified in writing, API does not warrant any product or material as meeting the ordinances, laws or regulations of any particular state or local municipality, and API is not responsible for conformance by the owner or contractor to such ordinances, laws or regulations.

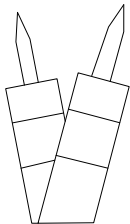
## PARTS LIST - ACM



0.118" [3MM]  
3MM ACM



0.157" [4MM]  
4MM ACM



**NOT SUPPLIED BY API:**

ADHESIVE  
CONSTRUCTION GRADE ADHESIVE  
FOR PERMANENT ATTACHMENT

**NOTE:**

ACM SHEETS COME IN VARIOUS SIZES -  
MAXIMUM SHEET SIZE IS 196" x 62"

3mm or 4mm ACM THICKNESS  
FIRE RATED OR NON-FIRE RATED

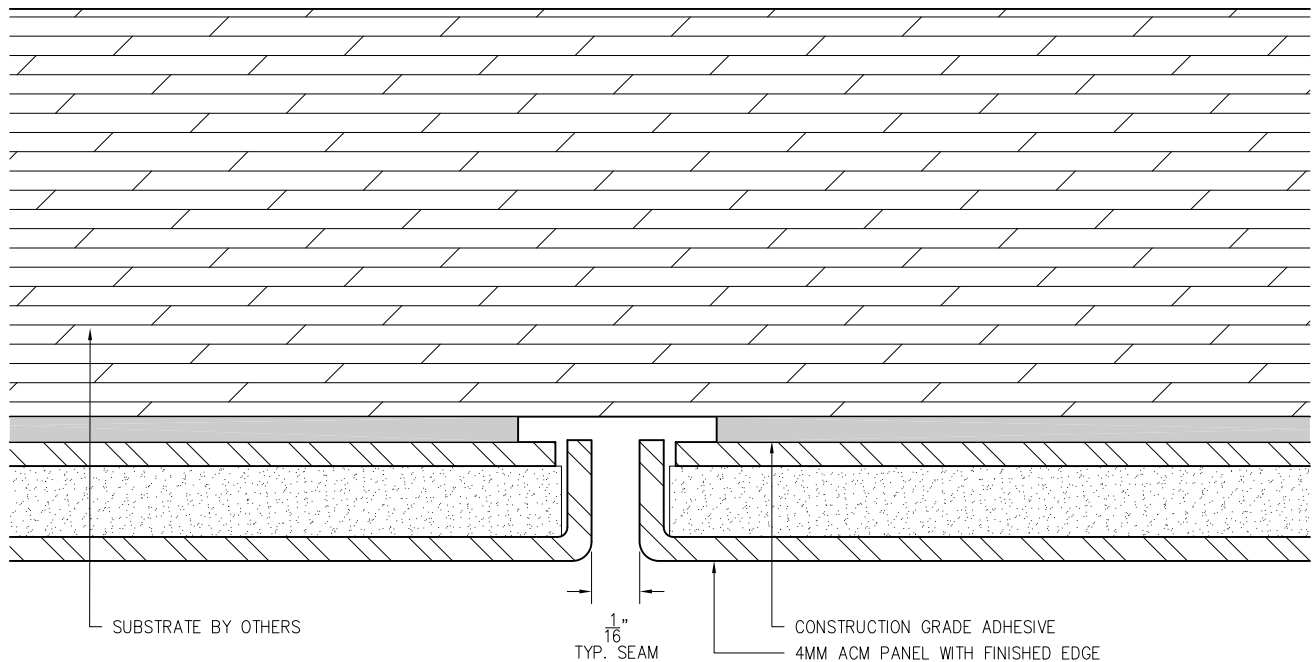
ACM SHEETS COME IN VARIOUS  
COLORS AND FINISHES. CUSTOM  
FINISHES ARE ALSO AVAILABLE.

## ACM DIRECT APPLY APPLICATION

### STEP 1:

- Before starting the panel installation, the wall framing must be checked for straightness and alignment, and must be checked to verify that the wall panels can be installed without interference.
- **CAUTION!!!** Wall framing alignment error and interference must be corrected before panel installation can begin.
- API is not responsible for difficult panel joint assembly and panel face rippling or buckling caused by misaligned wall framing.

### Detail 1



### PROCEDURE:

1. Apply Construction Grade Adhesive to backside of ACM Panel.
2. Place.