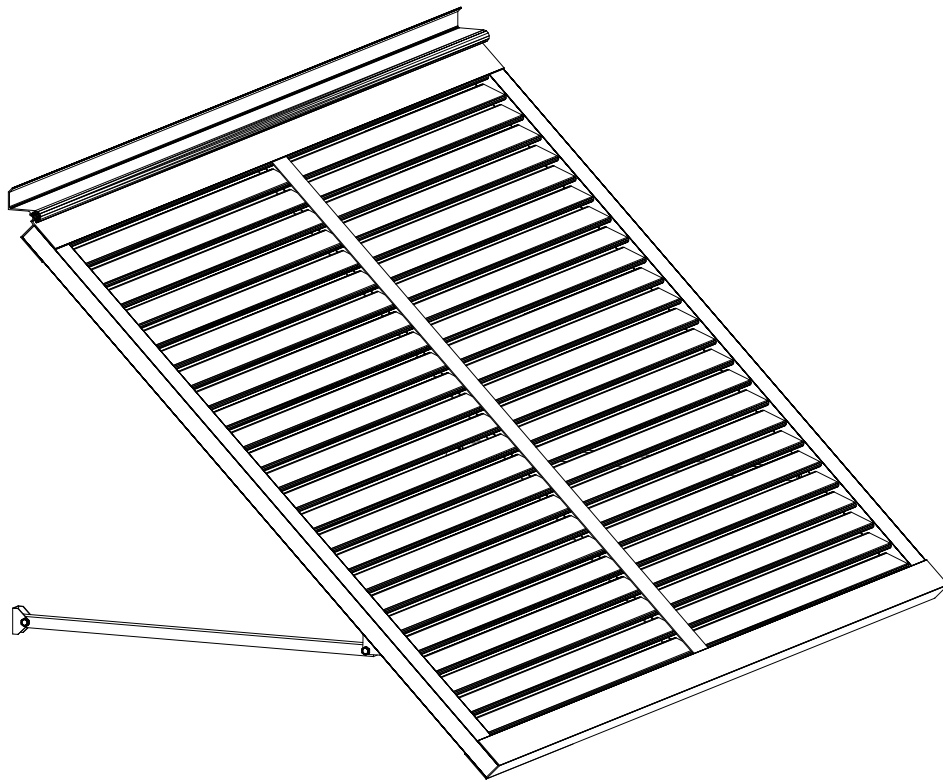


BAHAMA STYLE AWNING

BY

AMERICAN PRODUCTS INCORPORATED (API)



API Recommends that this note appear with storefront elevations and section view details in your blueprints.

Storefront and related materials provided by American Products, Inc. (API). No substitutions without written consent from store owner/Architect. API (813) 925-0144

Customer: API IN-HOUSE

Assembly: BAHAMA STYLE AWNING

Drawn By: JD

Date: 09-14-15

Revision:

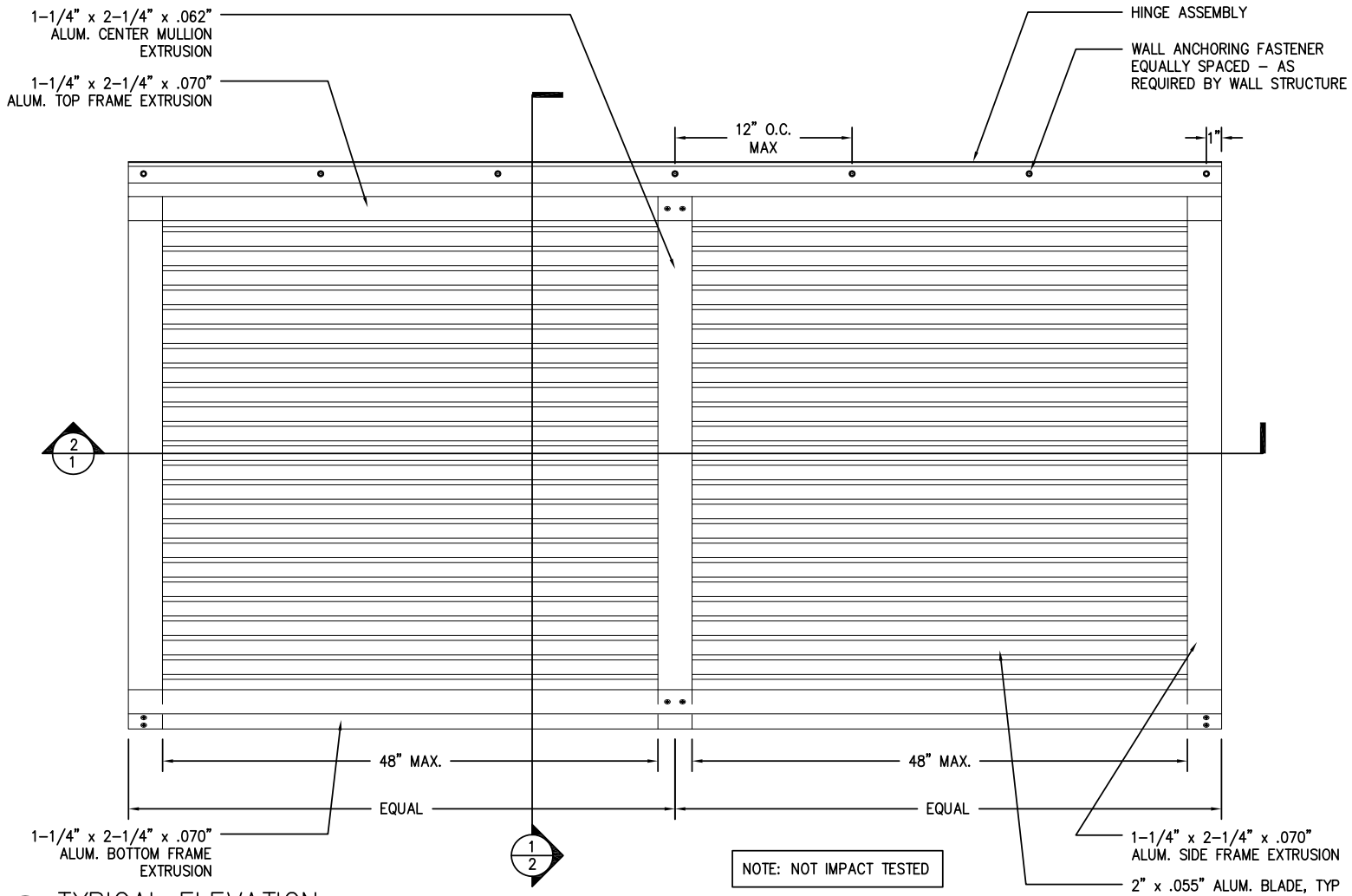
Date:

Scale: NTS

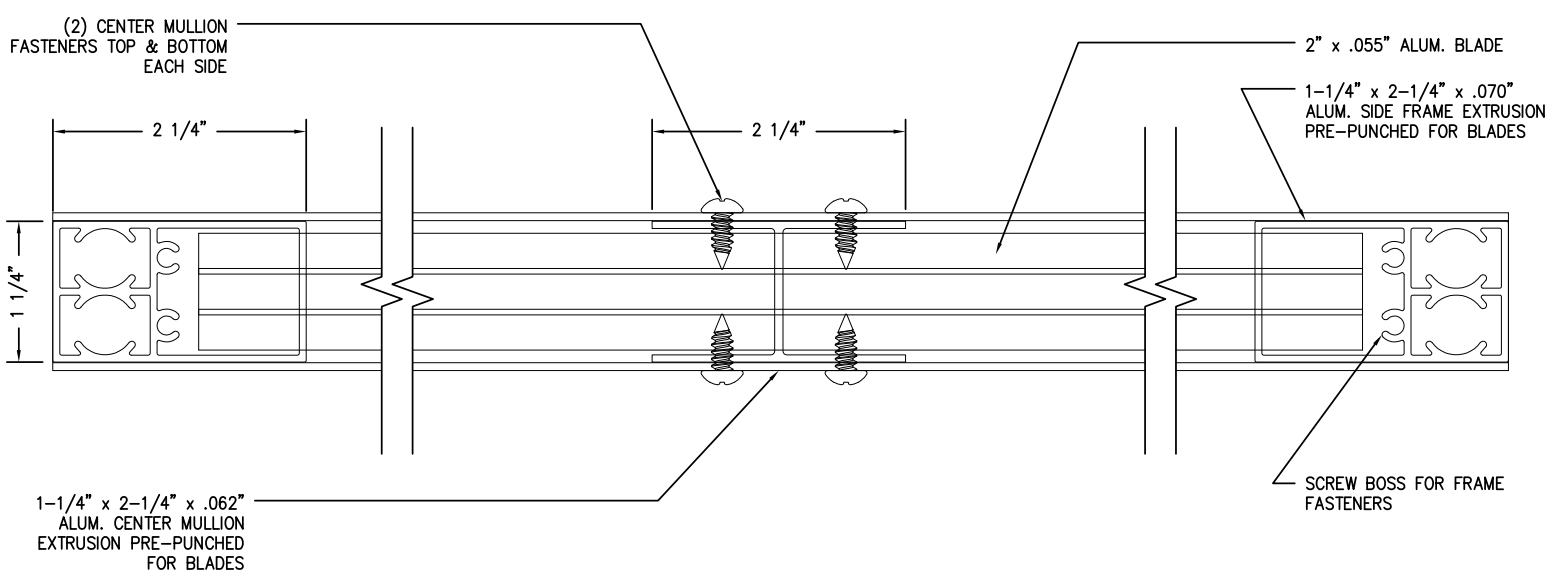
Sheet: COVER



AMERICAN PRODUCTS, INC. (API)
12157 W. LINEBAUGH AVENUE #335
TAMPA, FL 33626
CONTACT: KERRI BEALS
PH (813) 925-0144
WWW.AMERICANPROD.COM



1
1 TYPICAL ELEVATION
ELEVATION N.T.S.



2
1 TYPICAL SECTION
PLAN N.T.S.

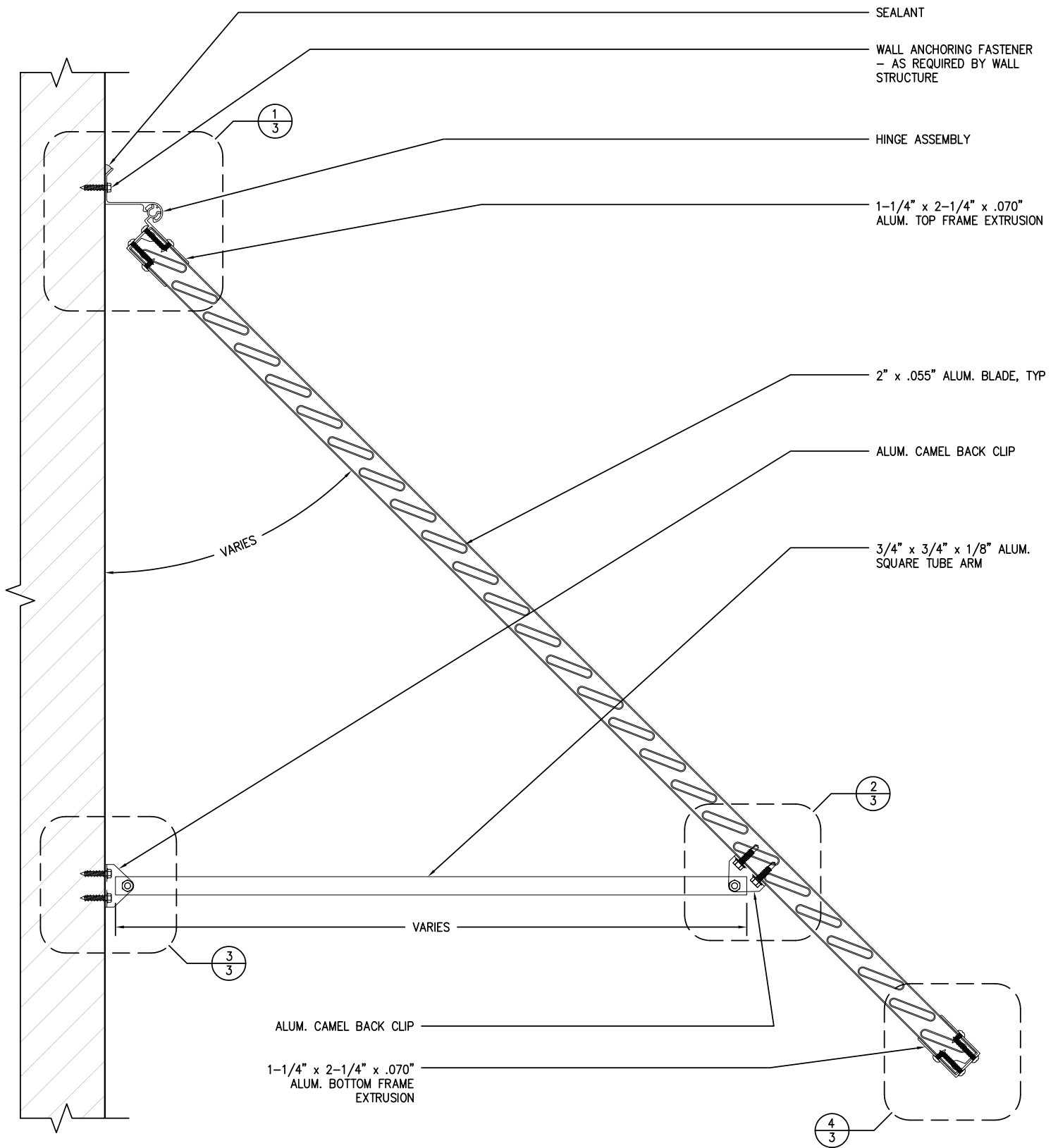
API Recommends that this note appear with storefront elevations and section view details in your blueprints.

Storefront and related materials provided by American Products, Inc. (API). No substitutions without written consent from store owner/Architect. API (813) 925-0144

Customer: API IN-HOUSE	
Assembly: BAHAMA STYLE AWNING	
Drawn By: JD	Date: 09-14-15
Revision:	Date:
Scale: NTS	Sheet: 1



AMERICAN PRODUCTS, INC. (API)
12157 W. LINEBAUGH AVENUE #335
TAMPA, FL 33626
CONTACT: KERRI BEALS
PH (813) 925-0144
WWW.AMERICANPROD.COM



1
2 TYPICAL SECTION N.T.S.

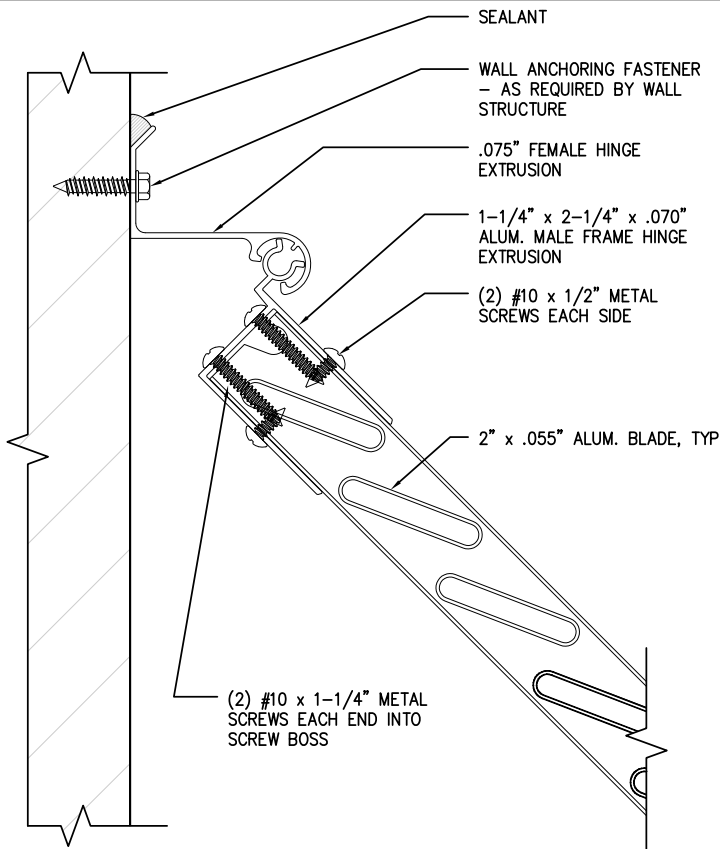
API Recommends that this note appear with storefront elevations and section view details in your blueprints.

Storefront and related materials provided by American Products, Inc. (API). No substitutions without written consent from store owner/Architect. API (813) 925-0144

Customer: API IN-HOUSE	
Assembly: BAHAMA STYLE AWNING	
Drawn By: JD	Date: 09-14-15
Revision:	Date:
Scale: NTS	Sheet: 2

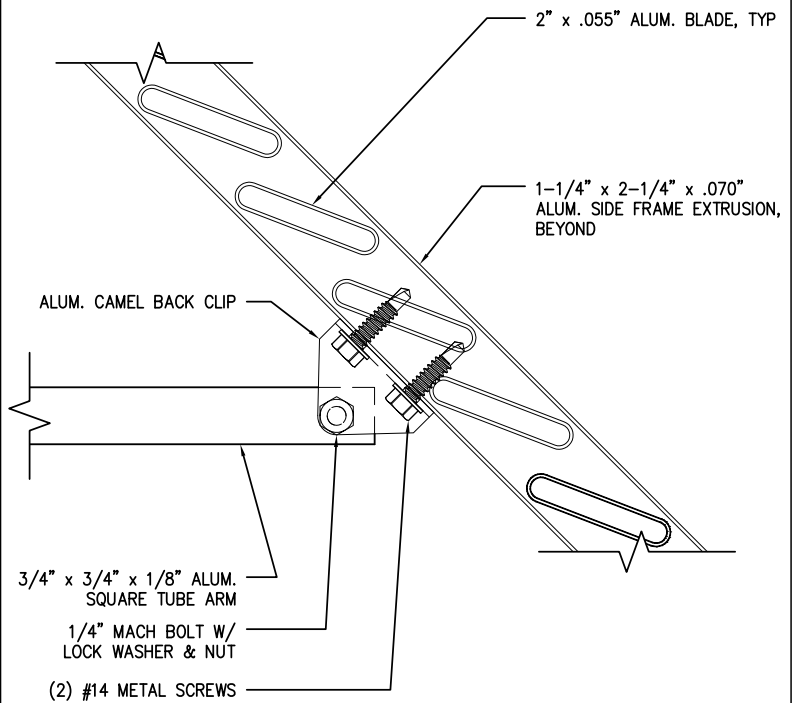


AMERICAN PRODUCTS, INC. (API)
 12157 W. LINEBAUGH AVENUE #335
 TAMPA, FL 33626
 CONTACT: KERRI BEALS
 PH (813) 925-0144
 WWW.AMERICANPROD.COM



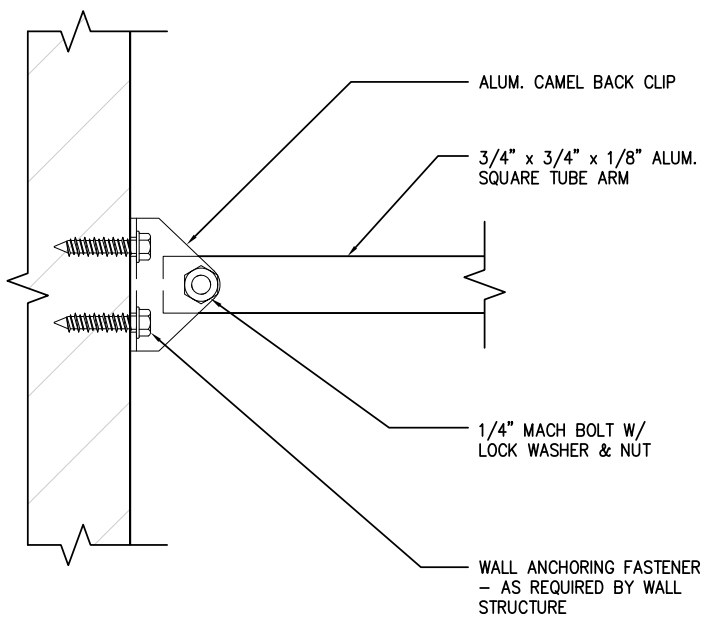
1
3
DETAIL
ELEVATION

N.T.S.



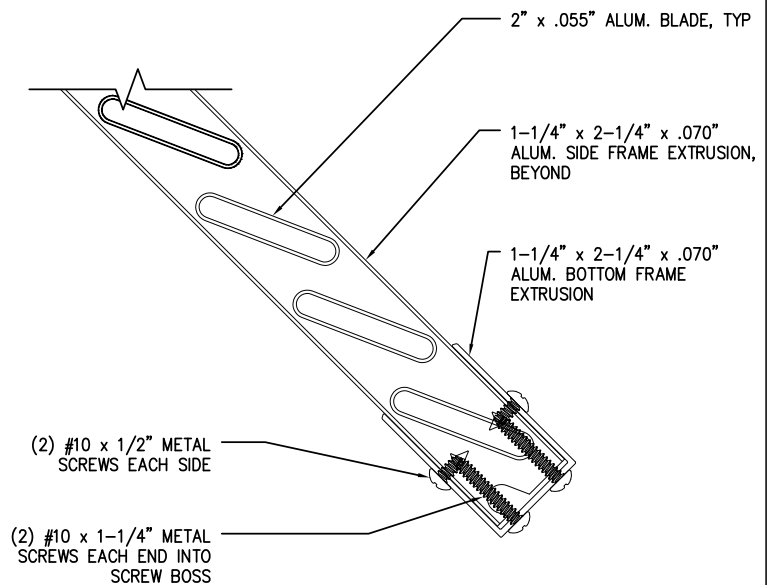
2
3
DETAIL
ELEVATION

N.T.S.



3
3
DETAIL
ELEVATION

N.T.S.



4
3
DETAIL
ELEVATION

N.T.S.

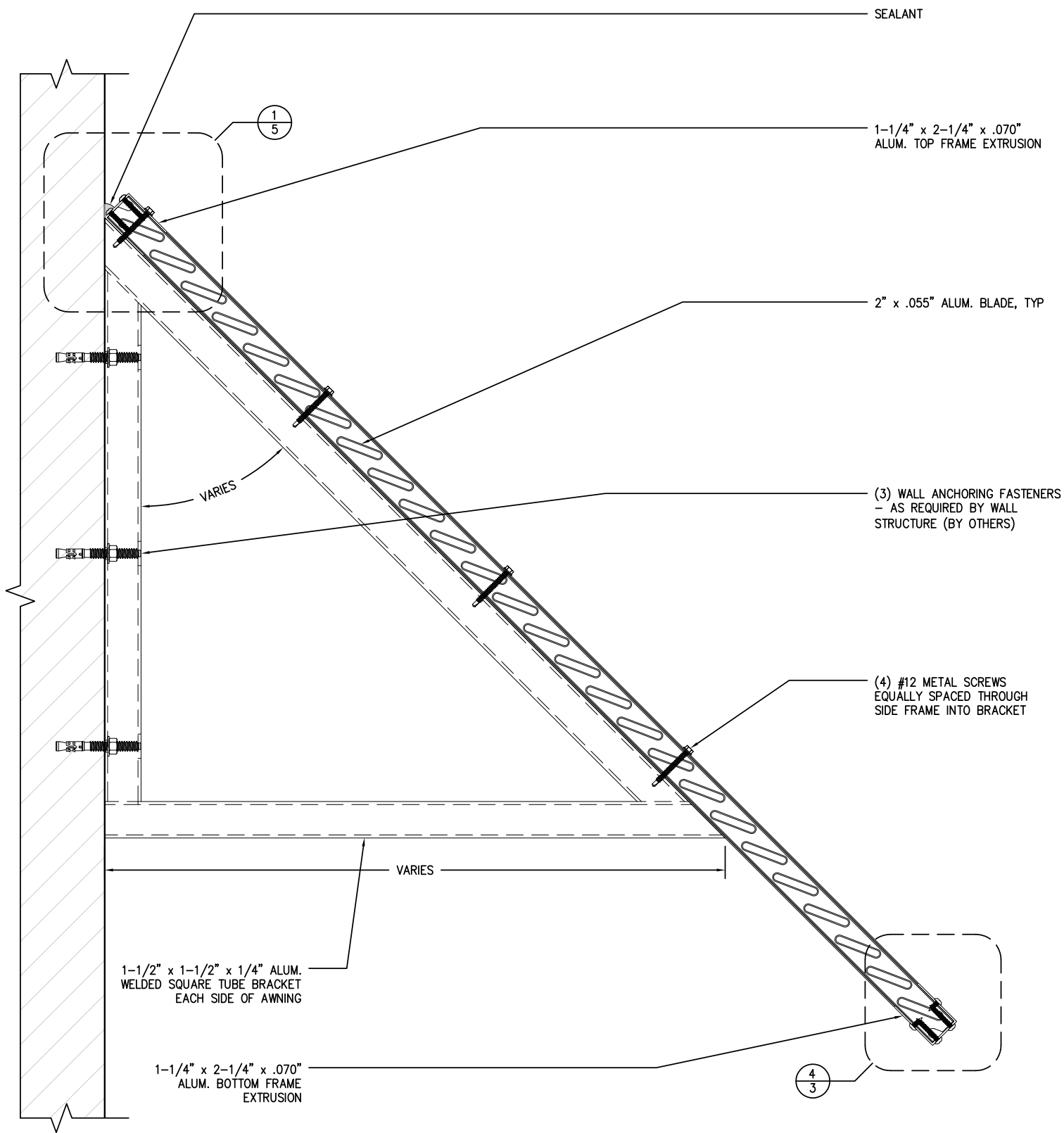
API Recommends that this note appear with storefront elevations and section view details in your blueprints.

Storefront and related materials provided by American Products, Inc. (API). No substitutions without written consent from store owner/Architect. API (813) 925-0144

Customer: API IN-HOUSE	
Assembly: BAHAMA STYLE AWNING	
Drawn By: JD	Date: 09-14-15
Revision:	Date:
Scale: NTS	Sheet: 3



AMERICAN PRODUCTS, INC. (API)
12157 W. LINEBAUGH AVENUE #335
TAMPA, FL 33626
CONTACT: KERRI BEALS
PH (813) 925-0144
WWW.AMERICANPROD.COM



1
4 SECTION OPTIONAL BRACKET MOUNT – TYPICAL SECTION N.T.S.

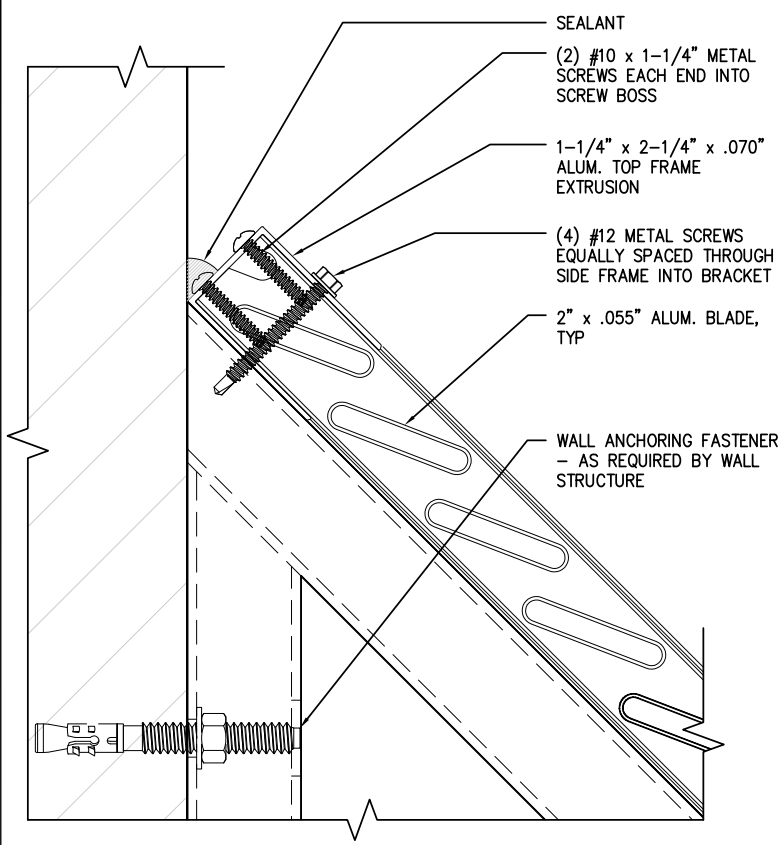
API Recommends that this note appear with storefront elevations and section view details in your blueprints.

Storefront and related materials provided by American Products, Inc. (API). No substitutions without written consent from store owner/Architect. API (813) 925-0144

Customer: API IN-HOUSE	
Assembly: BAHAMA STYLE AWNING	
Drawn By: JD	Date: 09-14-15
Revision:	Date:
Scale: NTS	Sheet: 4



AMERICAN PRODUCTS, INC. (API)
 12157 W. LINEBAUGH AVENUE #335
 TAMPA, FL 33626
 CONTACT: KERRI BEALS
 PH (813) 925-0144
 WWW.AMERICANPROD.COM



NOT USED

1
5
DETAIL
ELEVATION

N.T.S.

NOT USED

NOT USED

API Recommends that this note appear with storefront elevations and section view details in your blueprints.

Storefront and related materials provided by American Products, Inc. (API). No substitutions without written consent from store owner/Architect. API (813) 925-0144

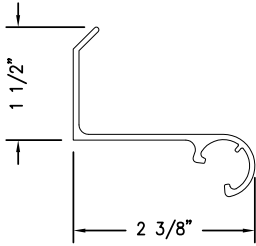
Customer: API IN-HOUSE	
Assembly: BAHAMA STYLE AWNING	
Drawn By: JD	Date: 09-14-15
Revision:	Date:
Scale: NTS	Sheet: 5



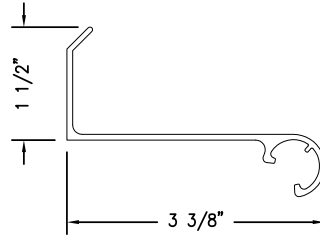
AMERICAN PRODUCTS, INC. (API)
 12157 W. LINEBAUGH AVENUE #335
 TAMPA, FL 33626
 CONTACT: KERRI BEALS
 PH (813) 925-0144
 WWW.AMERICANPROD.COM

STANDARD PARTS

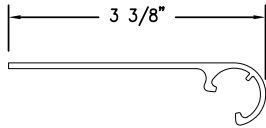
FEMALE HINGE - API#



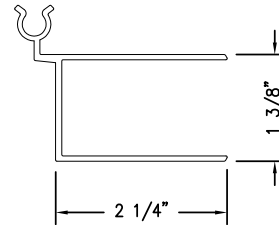
1" BUILD-OUT FEMALE HINGE - API#



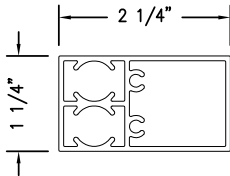
FEMALE FLAT HINGE - API#



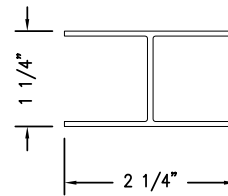
MALE FRAME HINGE - API#



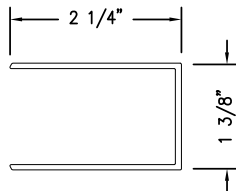
RIGHT SIDE FRAME PRE-PUNCHED FOR 2" BLADES - API#
 RIGHT SIDE FRAME PRE-PUNCHED FOR 2" BLADES - API#
 LEFT SIDE FRAME PRE-PUNCHED FOR 1-1/4" BLADES - API#
 LEFT SIDE FRAME PRE-PUNCHED FOR 1-1/4" BLADES - API#



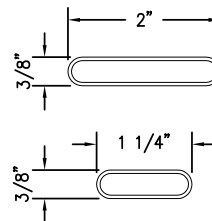
CENTER MULLION PRE-PUNCHED FOR 2" BLADES - API#
 CENTER MULLION PRE-PUNCHED FOR 1-1/4" BLADES - API#



HORIZONTAL FRAME - API#



2" BLADE - API#
 1-1/4" BLADE - API#



API Recommends that this note appear with storefront elevations and section view details in your blueprints.

Storefront and related materials provided by American Products, Inc. (API). No substitutions without written consent from store owner/Architect. API (813) 925-0144

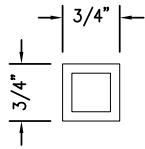
Customer: API IN-HOUSE	
Assembly: BAHAMA STYLE AWNING	
Drawn By: JD	Date: 09-14-15
Revision:	Date:
Scale: NTS	Sheet: SP1



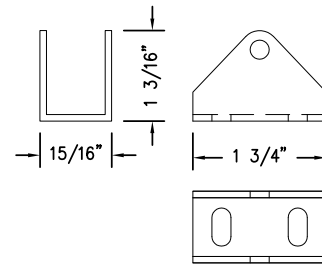
AMERICAN PRODUCTS, INC. (API)
 12157 W. LINEBAUGH AVENUE #335
 TAMPA, FL 33626
 CONTACT: KERRI BEALS
 PH (813) 925-0144
 WWW.AMERIANPROD.COM

STANDARD PARTS

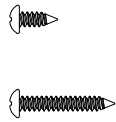
3/4" x 1/8" ALUMINUM SQUARE TUBE SUPPORT ARM - API#



CAMEL BACK CLIP - API#



#10 x 1/2" SS PAN HEAD PHILLIPS SHEET METAL SCREW - API#
 #10 x 1-1/4" SS PAN HEAD PHILLIPS SHEET METAL SCREW - API#



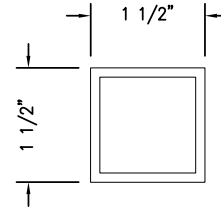
1/4"-20 x 1-3/8" SS HEX HEAD SCREW W/ LOCK WASHER & NUT- API#



#12-14 x 2" SS HEX HEAD SHEET METAL SCREW - API#



1-1/2" x 1/8" ALUMINUM SQUARE TUBE BRACKET - API#



NOT USED

NOT USED

API Recommends that this note appear with storefront elevations and section view details in your blueprints.
 Storefront and related materials provided by American Products, Inc. (API). No substitutions without written consent from store owner/Architect. API (813) 925-0144

Customer: API IN-HOUSE	
Assembly: BAHAMA STYLE AWNING	
Drawn By: JD	Date: 09-14-15
Revision:	Date:
Scale: NTS	Sheet: SP2



AMERICAN PRODUCTS, INC. (API)
 12157 W. LINEBAUGH AVENUE #335
 TAMPA, FL 33626
 CONTACT: KERRI BEALS
 PH (813) 925-0144
 WWW.AMERICANPROD.COM