



API Recommends that this note appear with storefront elevations and section view details in your blueprints.

Storefront and related materials provided by American Products, Inc. (API). No substitutions without written consent from store owner/Architect. API (813) 925-0144

Customer: API IN-HOUSE

Assembly: ARCHED CANOPY

Drawn By: GB

Date: 02/16/2015

Revision:

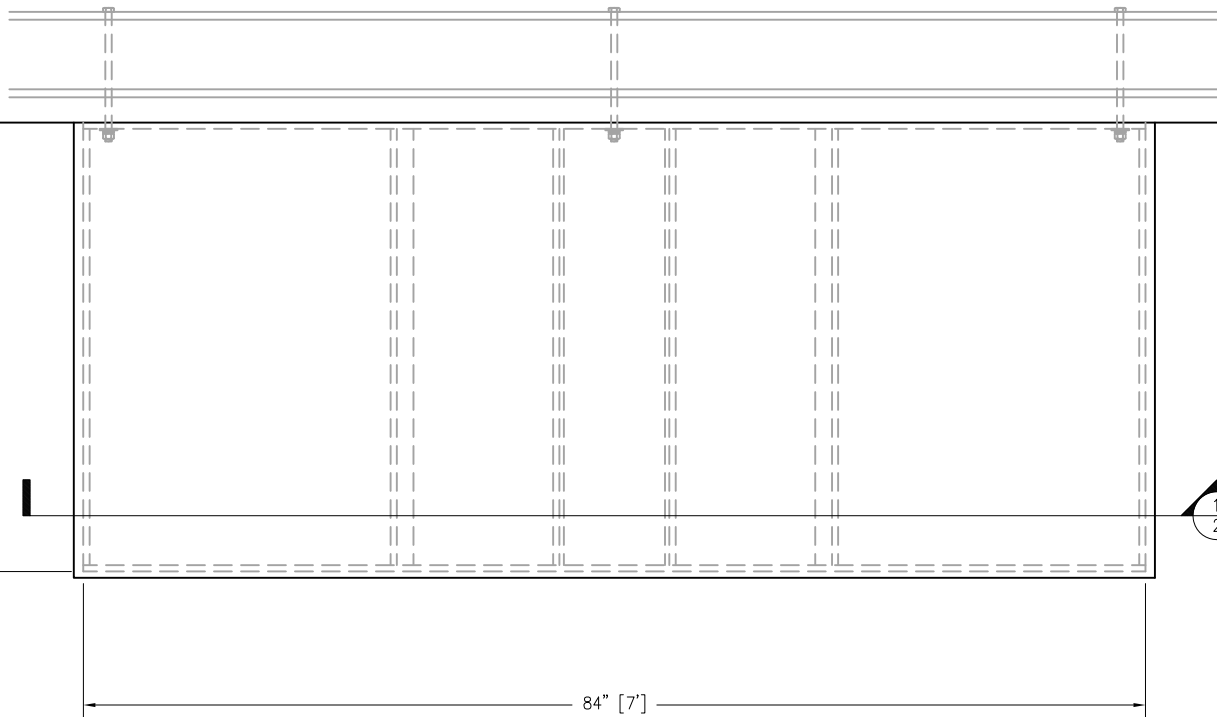
Date:

Scale: N.T.S.

Sheet: COVER



AMERICAN PRODUCTS, INC. (API)
 12157 W. LINEBAUGH AVENUE #335
 TAMPA, FL 33626
 CONTACT: KERRI BEALS
 PH (813) 925-0144
 WWW.AMERICANPROD.COM



1
1

DETAIL
PLAN

N.T.S.

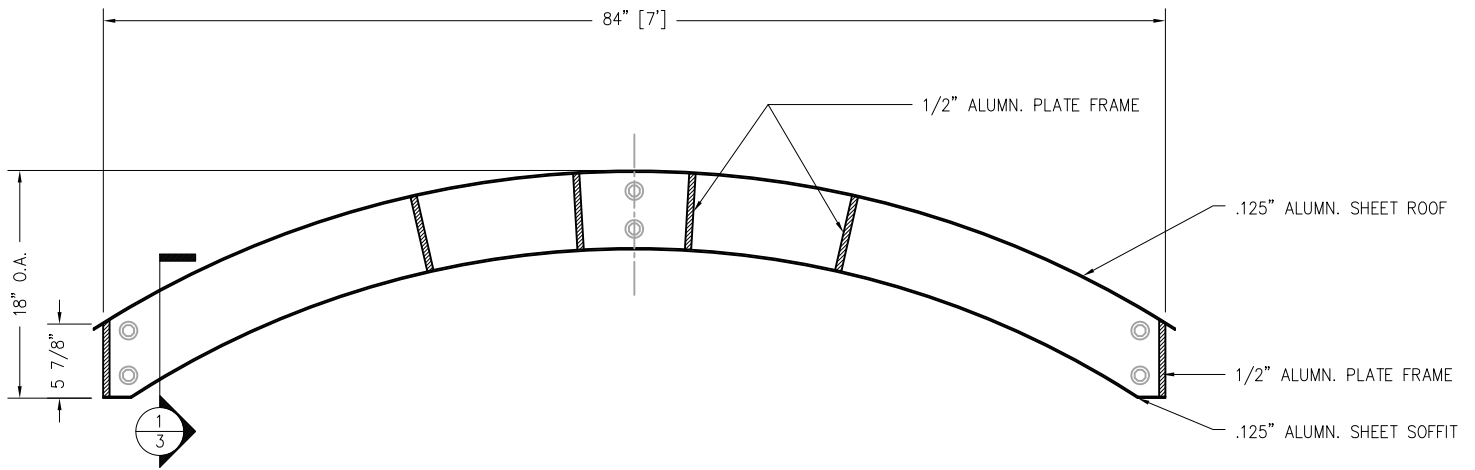
API recommends that this note appear with storefront elevations and section view details in your blueprints.

Storefront and related materials provided by American Products, Inc. (API). No substitutions without written consent from store owner/Architect. API (813) 925-0144

Customer: API IN-HOUSE	
Assembly: ARCHED CANOPY	
Drawn By: GB	Date: 02/16/2015
Revision:	Date:
Scale: N.T.S.	Sheet:1



AMERICAN PRODUCTS, INC. (API)
12157 W. LINEBAUGH AVENUE #335
TAMPA, FL 33626
CONTACT: KERRI BEALS
PH (813) 925-0144
WWW.AMERIANPROD.COM



1 DETAIL
2 SECTION

N.T.S.

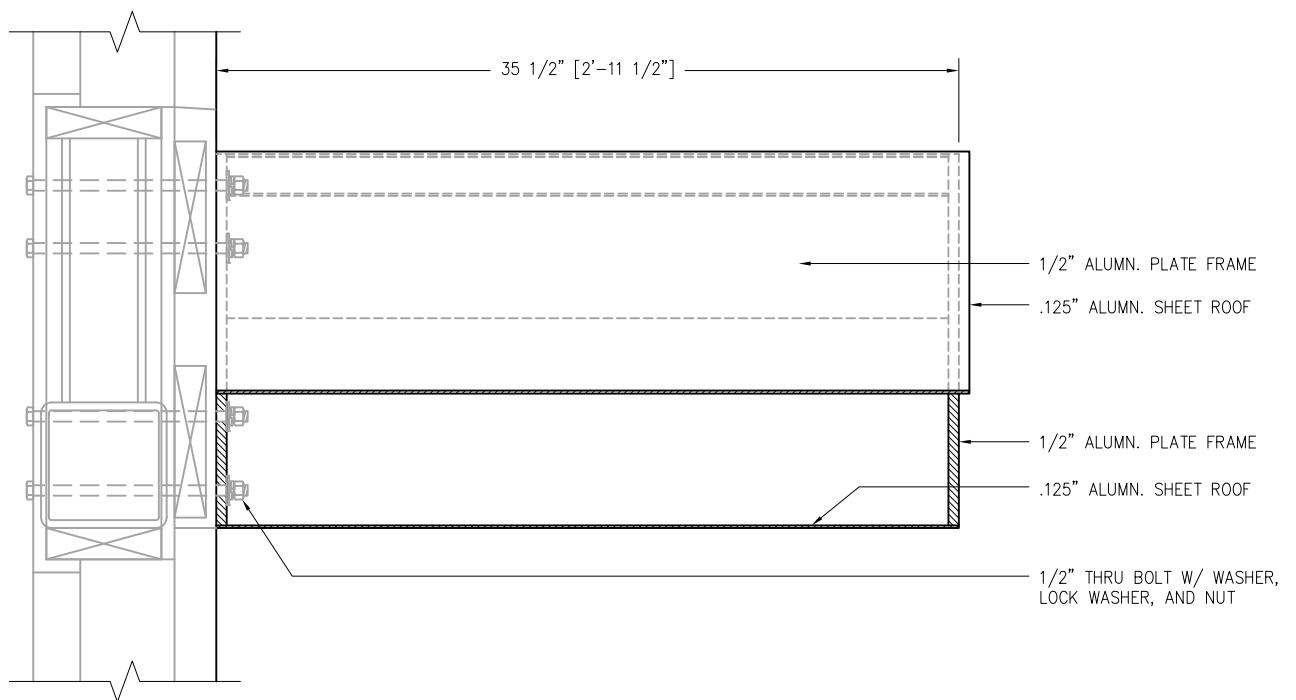
API Recommends that this note appear with storefront elevations and section view details in your blueprints.

Storefront and related materials provided by American Products, Inc. (API). No substitutions without written consent from store owner/Architect. API (813) 925-0144

Customer: API IN-HOUSE	
Assembly: ARCHED CANOPY	
Drawn By: GB	Date: 02/16/2015
Revision:	Date:
Scale: N.T.S.	Sheet: 2



AMERICAN PRODUCTS, INC. (API)
12157 W. LINEBAUGH AVENUE #335
TAMPA, FL 33626
CONTACT: KERRI BEALS
PH (813) 925-0144
WWW.AMERICANPROD.COM



1
3

DETAIL
SECTION

N.T.S.

API Recommends that this note appear with storefront elevations and section view details in your blueprints.

Storefront and related materials provided by American Products, Inc. (API). No substitutions without written consent from store owner/Architect. API (813) 925-0144

Customer: API IN-HOUSE

Assembly: ARCHED CANOPY

Drawn By: GB

Date: 02/16/2015

Revision:

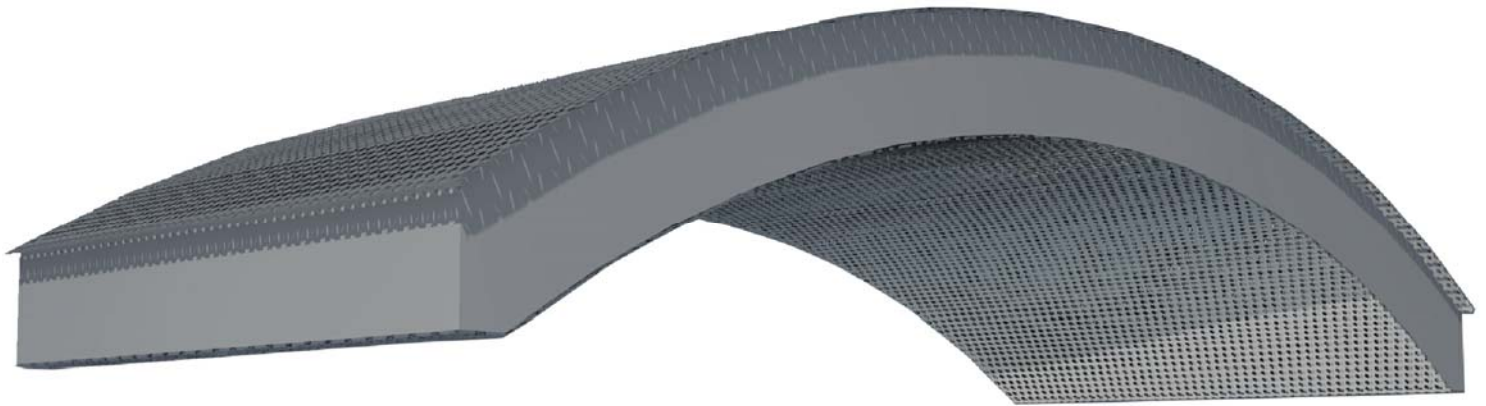
Date:

Scale: N.T.S.

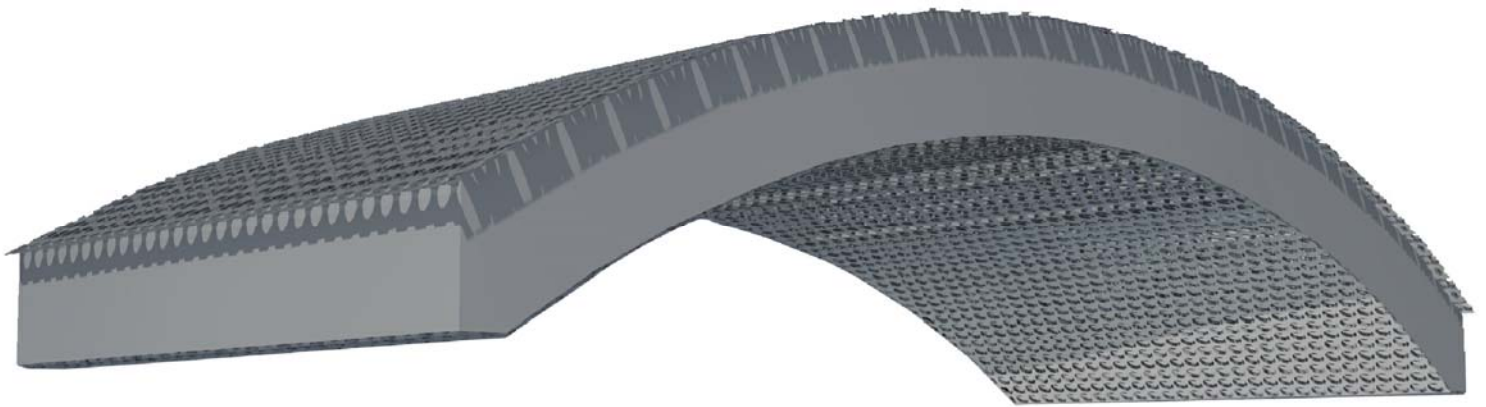
Sheet: 3



AMERICAN PRODUCTS, INC. (API)
12157 W. LINEBAUGH AVENUE #335
TAMPA, FL 33626
CONTACT: KERRI BEALS
PH (813) 925-0144
WWW.AMERICANPROD.COM



1 ARCHED CANOPY – SMALL PERFORATED OPTION
 4 PLAN N.T.S.



2 ARCHED CANOPY – LARGE PERFORATED OPTION
 4 PLAN N.T.S.

API Recommends that this note appear with storefront elevations and section view details in your blueprints.

Storefront and related materials provided by American Products, Inc. (API). No substitutions without written consent from store owner/Architect. API (813) 925-0144

Customer: API IN-HOUSE	
Assembly: ARCHED CANOPY OPTIONS	
Drawn By: GB	Date: 02/16/2015
Revision:	Date:
Scale: N.T.S.	Sheet: 4



AMERICAN PRODUCTS, INC. (API)
 12157 W. LINEBAUGH AVENUE #335
 TAMPA, FL 33626
 CONTACT: KERRI BEALS
 PH (813) 925-0144
 WWW.AMERICANPROD.COM