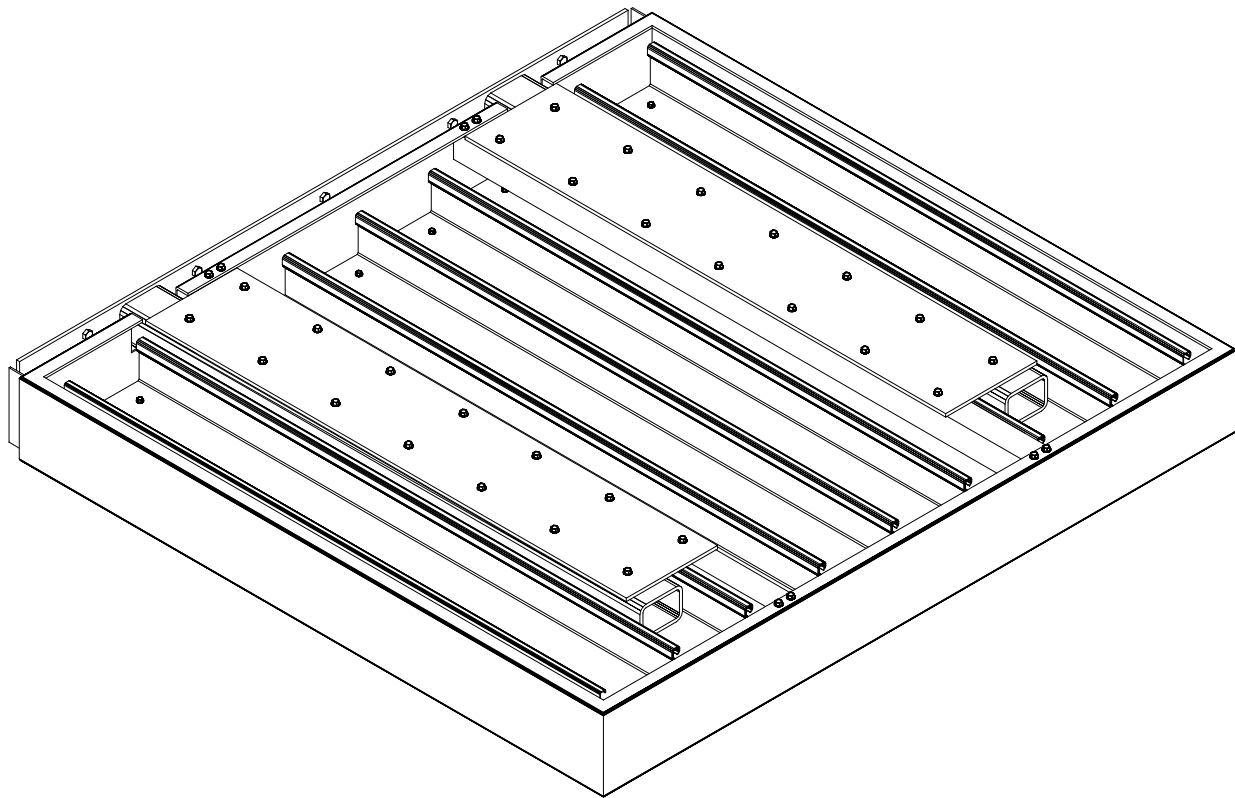


# CANOPY W/ STEEL OUTRIGGERS

BY

AMERICAN PRODUCTS INCORPORATED (API)



API Recommends that this note appear with storefront elevations and section view details in your blueprints.

Storefront and related materials provided by American Products, Inc. (API). No substitutions without written consent from store owner/Architect. API (813) 925-0144

Customer: API IN-HOUSE

Assembly: CANOPY W/ STEEL OUTRIGGERS

Drawn By: JD

Date: 08/17/15

Revision: JD

Date: 08/27/15

Scale: NTS

Sheet: COVER



AMERICAN PRODUCTS, INC. (API)  
12157 W. LINEBAUGH AVENUE #335  
TAMPA, FL 33626  
CONTACT: KERRI BEALS  
PH (813) 925-0144  
WWW.AMERICANPROD.COM

## GENERAL NOTES

1. BUILDING'S ENGINEER OF RECORD SHALL CERTIFY BUILDING'S STRUCTURAL ABILITY TO CARRY CANOPY LOADS.
2. INTERNAL WALL BLOCKING & BRACING AT CANOPY CONNECTION POINTS TO BUILDING ARE BY OTHERS UNLESS OTHERWISE NOTED.
3. ALL CANOPY CONNECTION POINTS TO WALL ARE DESIGNED BY OTHERS UNLESS OTHERWISE NOTED.
4. ALL FASTENERS NOT OTHERWISE NOTED ARE STAINLESS STEEL.
5. ALL FASTENER HOLES NOT OTHERWISE NOTED ARE FIELD DRILLED.
6. THE INSTALLATION CONTRACTOR IS RESPONSIBLE FOR THE PROPER FLASHING, SEALING & WATER-PROOFING OF THE EXISTING BUILDING & CANOPY.

## DESIGN NOTES

1. FINISH TO BE CHOSEN BY CUSTOMER.
2. SURROUND WALL ANCHORS WITH SEALANT.
3. TO ENSURE PROPER DRAINAGE INSTALL CANOPY WITH POSITIVE SLOPE.
4. UNLESS OTHERWISE NOTED FIELD DRILL HOLES IN GUTTER FOR SCUPPER & DOWNSPOUT OUTLET LOCATIONS.
5. ALL WELDS SHOWN ARE FACTORY MADE.

API Recommends that this note appear with storefront elevations and section view details in your blueprints.

Storefront and related materials provided by American Products, Inc. (API). No substitutions without written consent from store owner/ Architect. API (813) 925-0144

Customer: API IN-HOUSE

Assembly: CANOPY W/ STEEL OUTRIGGERS

Drawn By: JD

Date: 08/17/15

Revision: JD

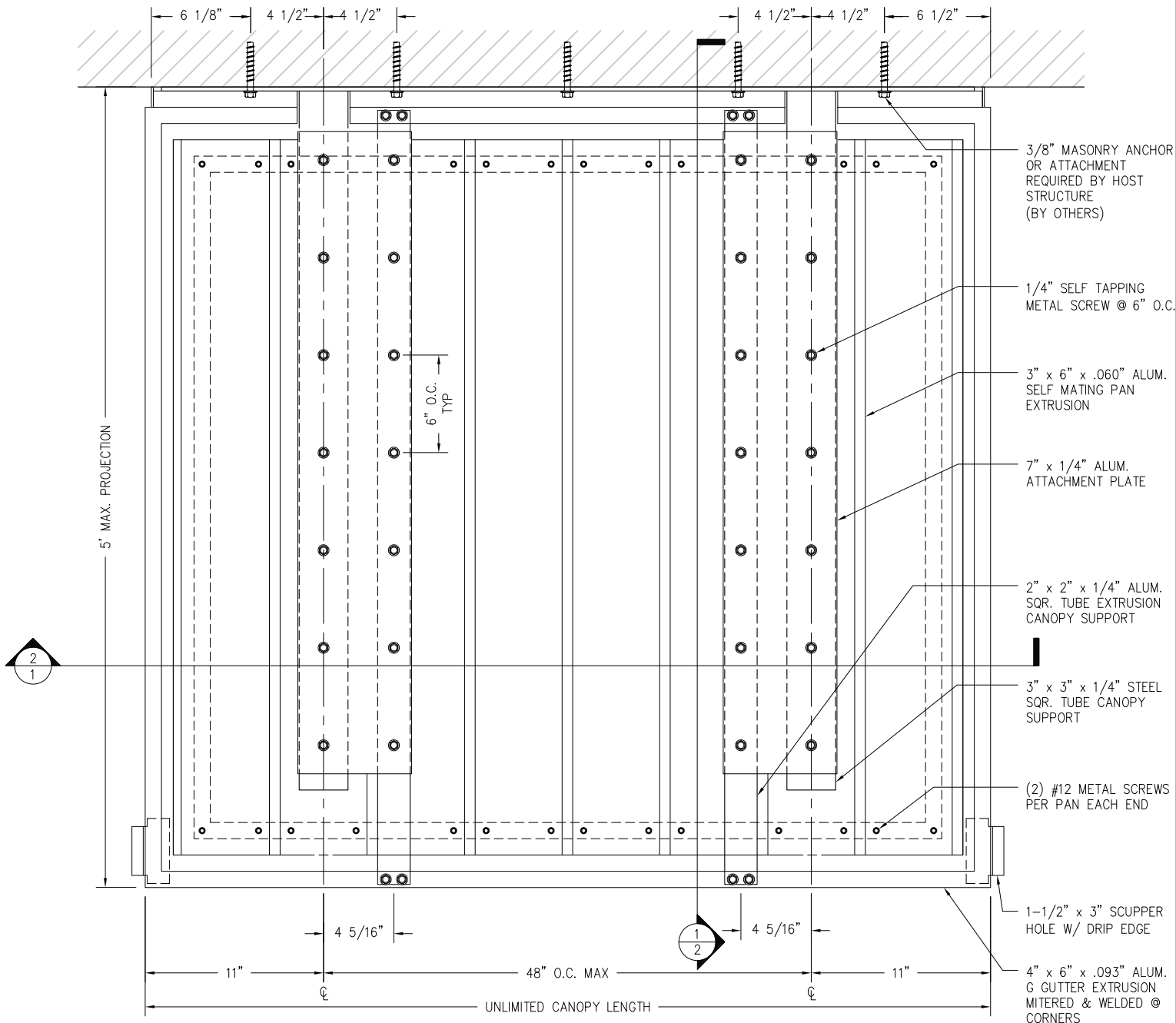
Date: 08/27/15

Scale: NTS

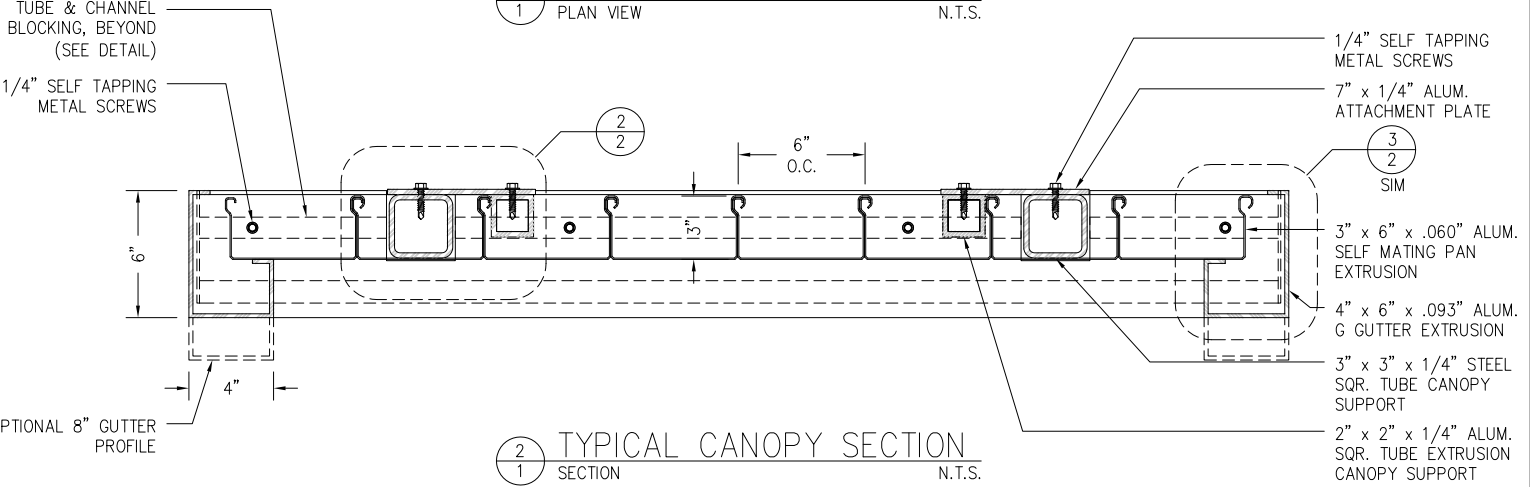
Sheet: COVER



AMERICAN PRODUCTS, INC. (API)  
12157 W. LINEBAUGH AVENUE #335  
TAMPA, FL 33626  
CONTACT: KERRI BEALS  
PH (813) 925-0144  
WWW.AMERICANPROD.COM



1 TYPICAL CANOPY PLAN  
1 PLAN VIEW N.T.S.



2 TYPICAL CANOPY SECTION  
1 SECTION N.T.S.

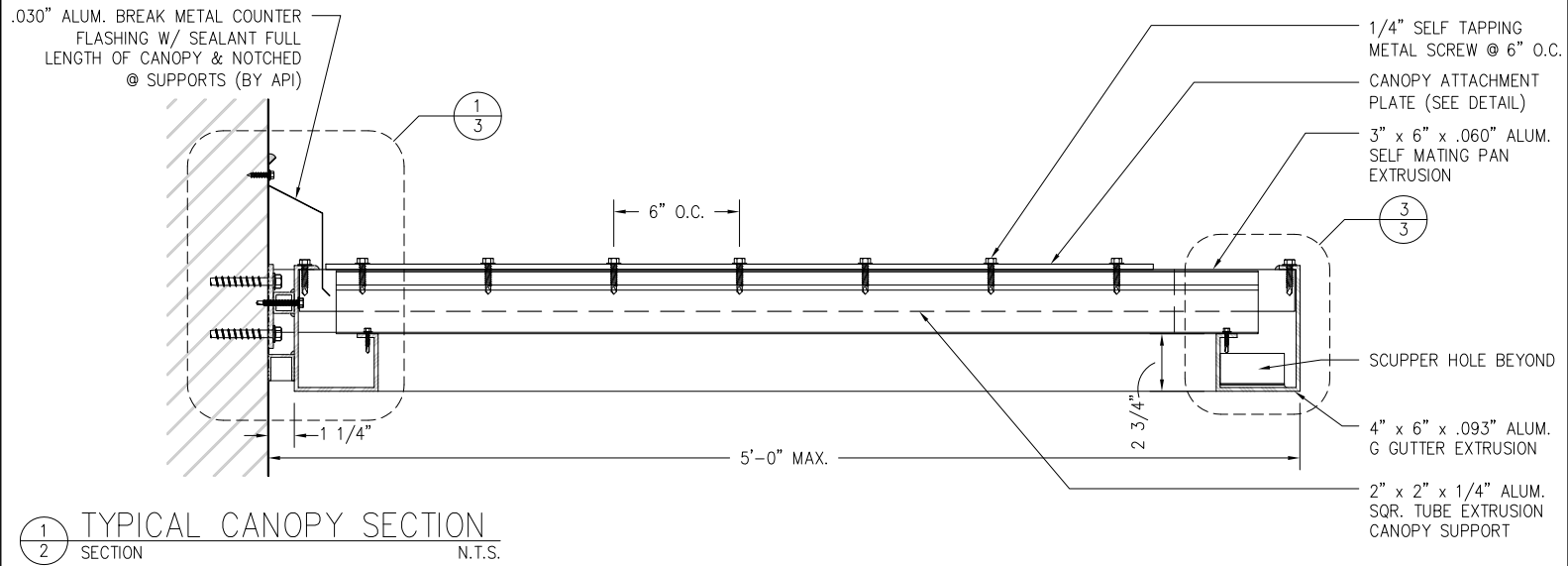
API recommends that this note appear with storefront elevations and section view details in your blueprints.

Storefront and related materials provided by American Products, Inc. (API). No substitutions without written consent from store owner/Architect. API (813) 925-0144

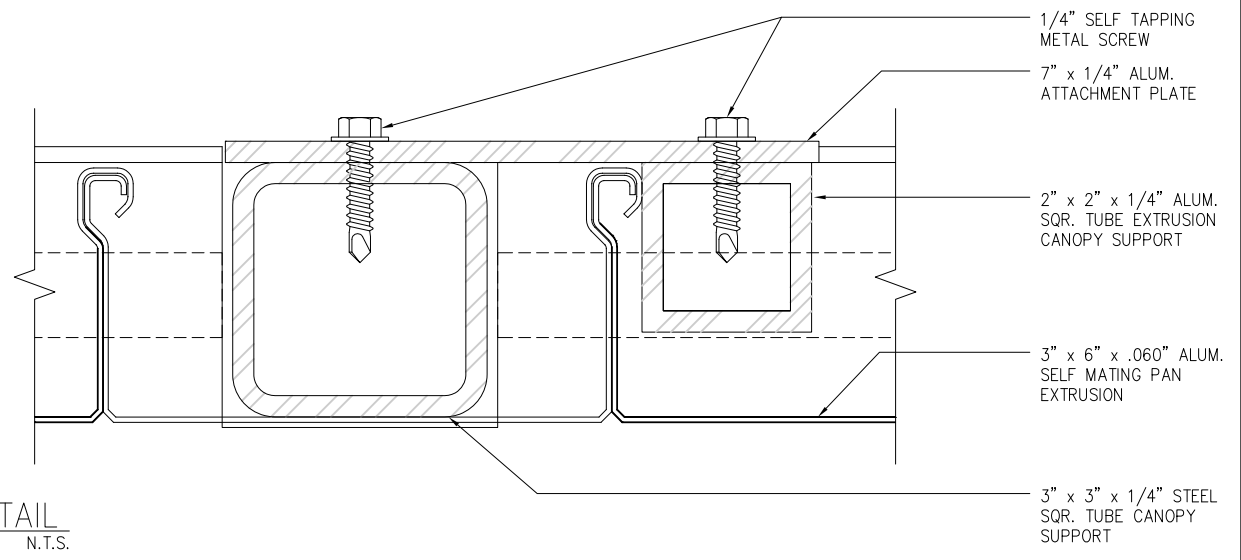
Customer: API IN-HOUSE	
Assembly: CANOPY W/ STEEL OUTRIGGERS	
Drawn By: JD	Date: 08/17/15
Revision: JD	Date: 08/27/15
Scale: NTS	Sheet: 1

**API**  
AMERICAN PRODUCTS, INC.

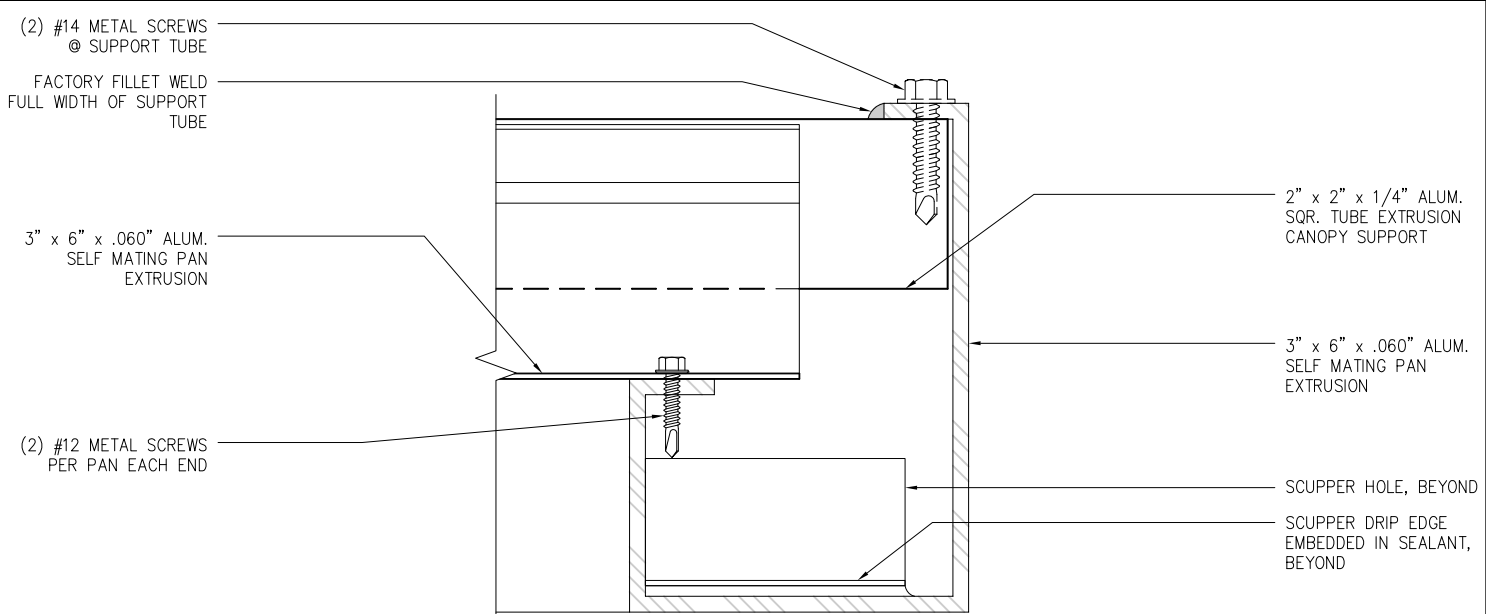
AMERICAN PRODUCTS, INC. (API)  
12157 W. LINEBAUGH AVENUE #335  
TAMPA, FL 33626  
CONTACT: KERRI BEALS  
PH (813) 925-0144  
WWW.AMERICANPROD.COM



1  
2 SECTION TYPICAL CANOPY SECTION N.T.S.



2  
2 SECTION ATTACHMENT DETAIL N.T.S.



3  
2 SECTION GUTTER DETAIL N.T.S.

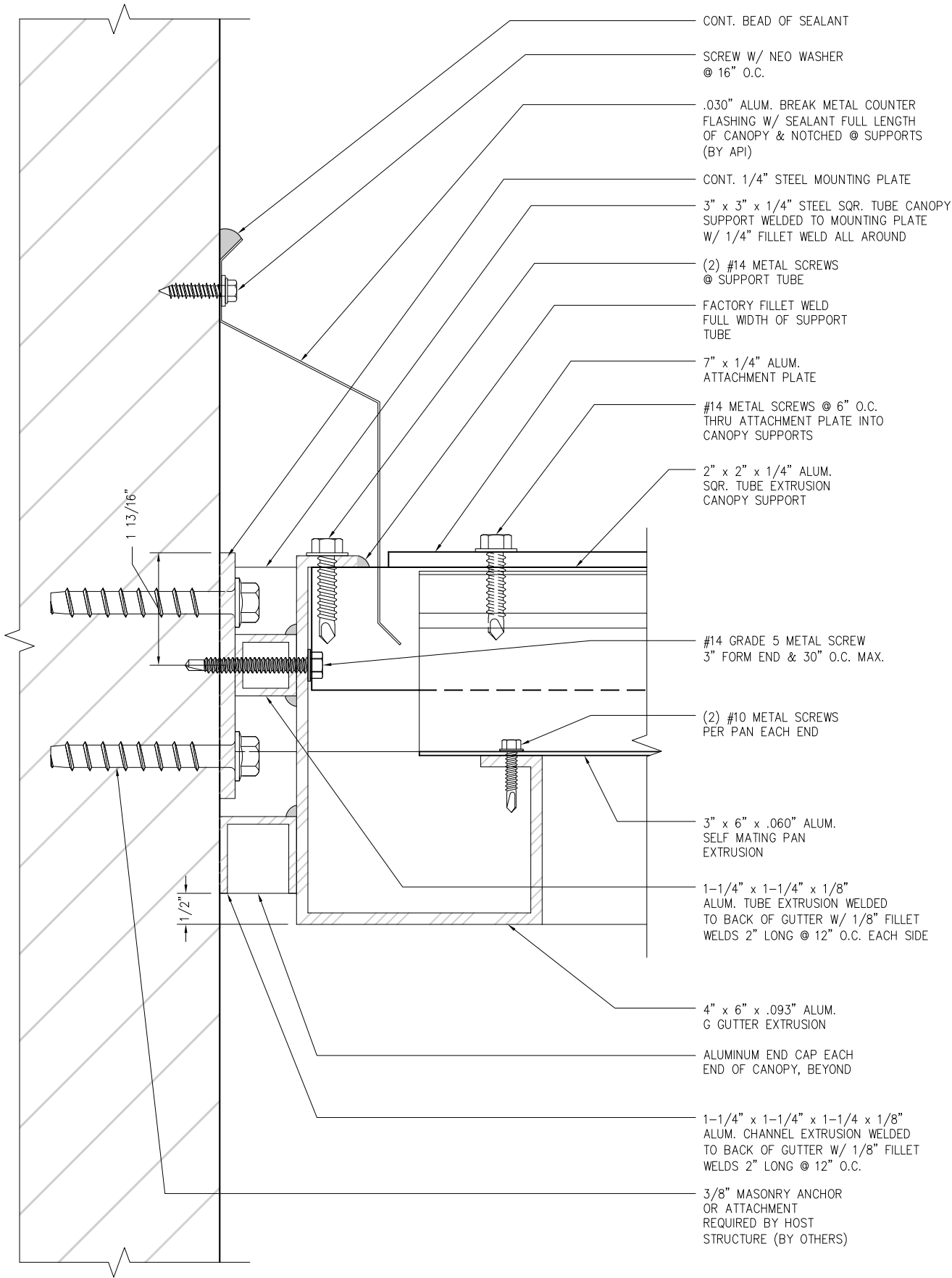
API recommends that this note appear with storefront elevations and section view details in your blueprints.

Storefront and related materials provided by American Products, Inc. (API). No substitutions without written consent from store owner/Architect. API (813) 925-0144

Customer: API IN-HOUSE	
Assembly: CANOPY W/ STEEL OUTRIGGERS	
Drawn By: JD	Date: 08/17/15
Revision: JD	Date: 08/27/15
Scale: NTS	Sheet: 2



AMERICAN PRODUCTS, INC. (API)  
12157 W. LINEBAUGH AVENUE #335  
TAMPA, FL 33626  
CONTACT: KERRI BEALS  
PH (813) 925-0144  
WWW.AMERICANPROD.COM



1 WALL ATTACHMENT @ GUTTER DETAIL  
3 SECTION N.T.S.

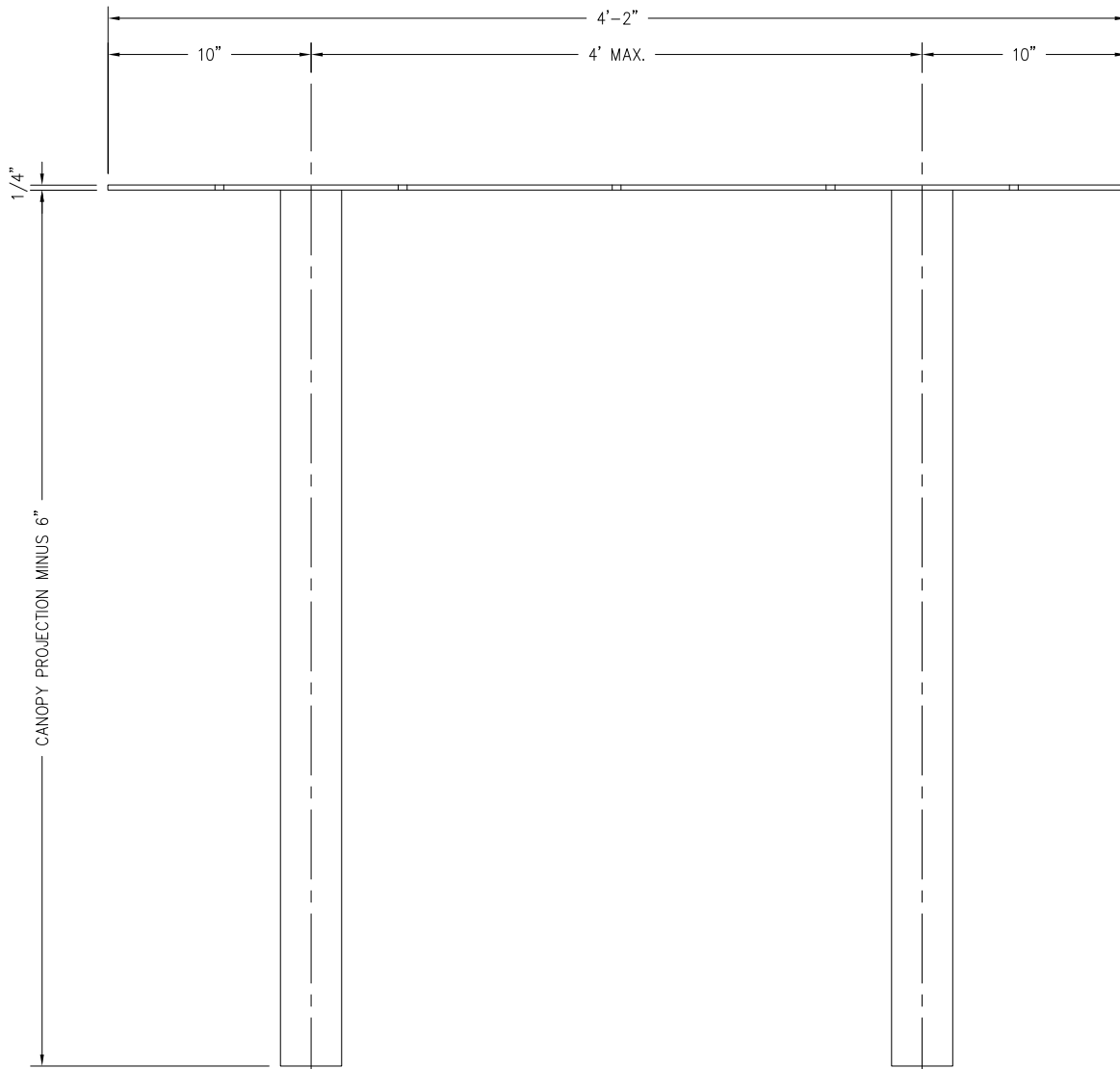
API Recommends that this note appear with storefront elevations and section view details in your blueprints.

Storefront and related materials provided by American Products, Inc. (API). No substitutions without written consent from store owner/ Architect. API (813) 925-0144

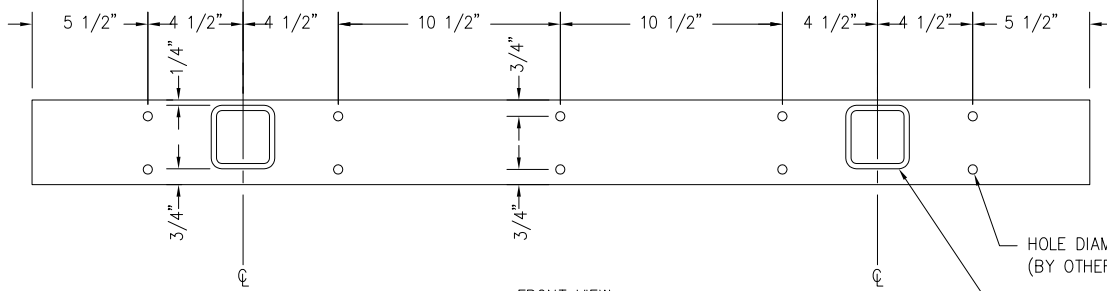
Customer: API IN-HOUSE	
Assembly: CANOPY W/ STEEL OUTRIGGERS	
Drawn By: JD	Date: 08/17/15
Revision: JD	Date: 08/27/15
Scale: NTS	Sheet: 3

**API**  
AMERICAN PRODUCTS, INC.

AMERICAN PRODUCTS, INC. (API)  
12157 W. LINEBAUGH AVENUE #335  
TAMPA, FL 33626  
CONTACT: KERRI BEALS  
PH (813) 925-0144  
WWW.AMERICANPROD.COM



PLAN VIEW



FRONT VIEW

HOLE DIAMETER PER FASTENER  
(BY OTHERS)

3" x 3" x 1/4" HSS

1 STEEL LAYOUT DETAIL  
4 ELEVATION & SECTION N.T.S.

API Recommends that this note appear with storefront elevations and section view details in your blueprints.

Storefront and related materials provided by American Products, Inc. (API). No substitutions without written consent from store owner/Architect. API (813) 925-0144

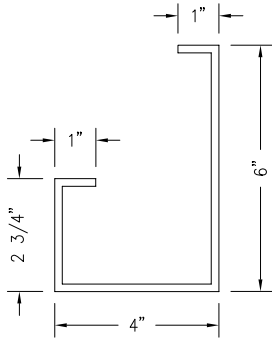
Customer: API IN-HOUSE	
Assembly: CANOPY W/ STEEL OUTRIGGERS	
Drawn By: JD	Date: 08/17/15
Revision: JD	Date: 08/27/15
Scale: NTS	Sheet: 4



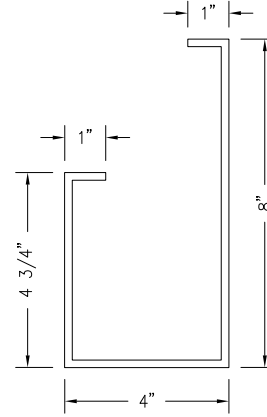
AMERICAN PRODUCTS, INC. (API)  
12157 W. LINEBAUGH AVENUE #335  
TAMPA, FL 33626  
CONTACT: KERRI BEALS  
PH (813) 925-0144  
WWW.AMERICANPROD.COM

# STANDARD PARTS

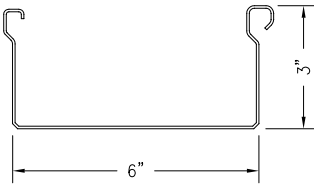
4" x 6" x .093" ALUM G GUTTER EXTRUSION – API X53033-24-1000



4" x 8" x .125" ALUM G GUTTER EXTRUSION – API X53016-24-1000



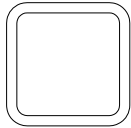
3" x 6" x .060" ALUM. SELF MATING PAN EXTRUSION – API X53015-24-1000



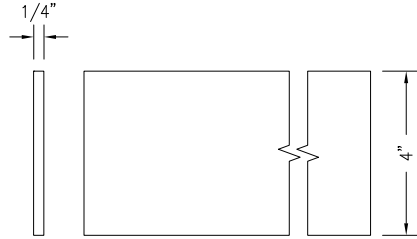
2" x 2" x 1/4" ALUM. SQR. TUBE EXTRUSION – API X11212-24-1000



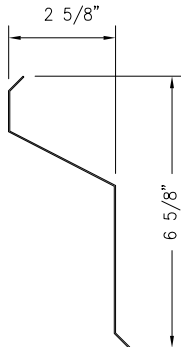
3" x 3" x 1/4" STEEL SUPPORT TUBE – API ST3314-24-M



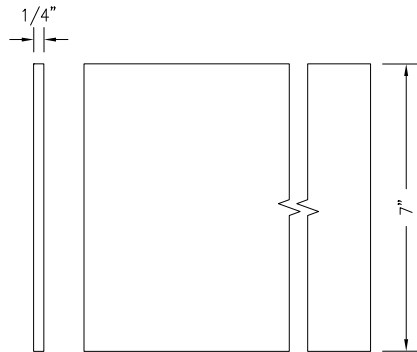
STEEL OUTRIGGER PLATE – API SP412-20-M



FLASHING – API BMF-CF030-2-1000



ALUMINUM ATTACHMENT PLATE – API X11366-12-1000



API Recommends that this note appear with storefront elevations and section view details in your blueprints.

Storefront and related materials provided by American Products, Inc. (API). No substitutions without written consent from store owner/Architect. API (813) 925-0144

Customer: API IN-HOUSE	
Assembly: CANOPY W/ STEEL OUTRIGGERS	
Drawn By: JD	Date: 08/17/15
Revision: JD	Date: 08/27/15
Scale: NTS	Sheet:P1



AMERICAN PRODUCTS, INC. (API)  
12157 W. LINEBAUGH AVENUE #335  
TAMPA, FL 33626  
CONTACT: KERRI BEALS  
PH (813) 925-0144  
WWW.AMERICANPROD.COM

# STANDARD PARTS

METAL SCREWS

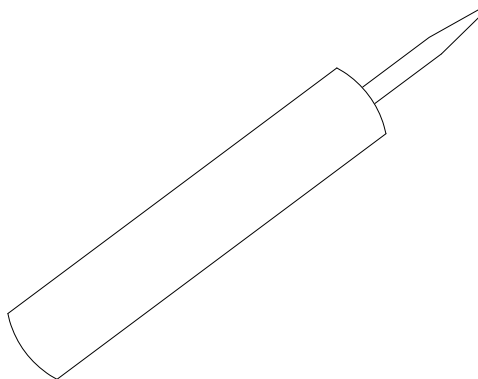
SEALANT - 10.5 OZ TUBE - API SLT-1-105-1



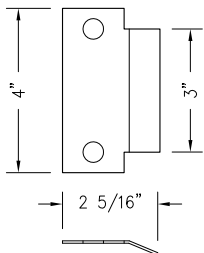
#12 x 1" SS DRILL POINT - API FA12141H3DPSS-1



1/4"-14 x 1" SS DRILL POINT - APIFA14D141H3DPSS-1



SCUPPER HOLE DRIP EDGE - API BM-SHDE1



NOT USED

NOT USED

NOT USED

NOT USED

NOT USED

API Recommends that this note appear with storefront elevations and section view details in your blueprints.

---

Storefront and related materials provided by American Products, Inc. (API). No substitutions without written consent from store owner/Architect. API (813) 925-0144

Customer: API IN-HOUSE	
Assembly: CANOPY W/ STEEL OUTRIGGERS	
Drawn By: JD	Date: 08/17/15
Revision: JD	Date: 08/27/15
Scale: NTS	Sheet: OP1



AMERICAN PRODUCTS, INC. (API)  
 12157 W. LINEBAUGH AVENUE #335  
 TAMPA, FL 33626  
 CONTACT: KERRI BEALS  
 PH (813) 925-0144  
 WWW.AMERICANPROD.COM

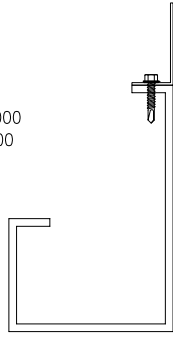


# OPTIONAL PARTS

## FASCIA EXTENSION ANGLE

### AVAILABLE EXTRUSIONS

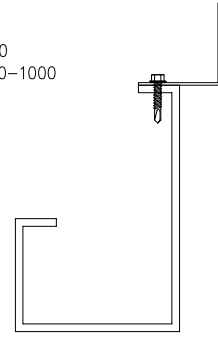
- 1" x 1" x 1/16" - API X13220-20-1000
- 1" x 2" x 1/16" - API X13365-20-1000
- 1" x 3" x 1/8" - API X13375-20-1000
- 1-1/2" x 1-1/2" x 1/16" - API X13270-20-1000
- 1-1/4" x 3-1/2" x 1/8" - API X13393-16-1000
- 2" x 4" x 1/8" - API X13395-20-1000
- 2" x 5" x 1/8" - API X13405-20-1000



## FASCIA EXTENSION ANGLE

### AVAILABLE EXTRUSIONS

- 1" x 1-1/2" x 1/8" - API X13269-20-1000
- 1-1/2" x 1-1/2" x 1/16" - API X13270-20-1000
- 1" x 2" x 1/16" - API X13365-20-1000
- 1" x 3" x 1/8" - API X13375-20-1000
- 1-1/4" x 3-1/2" x 1/8" (PART#)
- 2" x 2" x 1/16" (PART #)
- 2" x 4" x 1/8" - API X13395-20-1000
- 2" x 5" x 1/8" - API X13405-20-1000
- 3" x 3" x 1/8" (PART #)



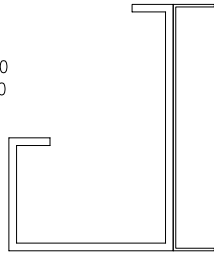
## FASCIA EXTENSION CHANNEL

### AVAILABLE EXTRUSIONS

- 2-1/2" x 6" x .290"/.170" - API X11540-25-1000

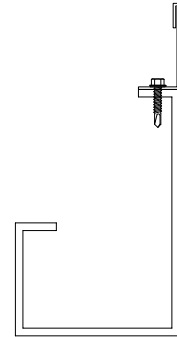
### AVAILABLE BREAK METAL

- 1-1/2" x 6" x 1/16" - API BM2126116-10-1000
- 1-1/2" x 8" x 1/16" - API BM1128116-10-1000



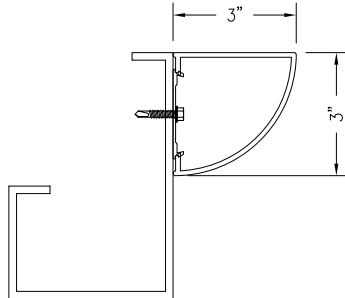
## FASCIA CLADDING

AVAILABLE IN MANY FINISHES  
AND COLORS



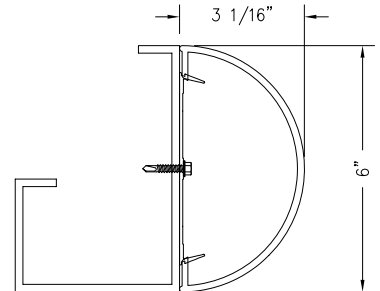
## FASCIA TRIM PACKAGE F1

- 3" METAL QUARTER ROUND - API SM110286-12-1000
- BASE - API SM410540-12-1000



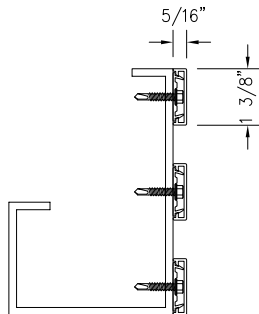
## FASCIA TRIM PACKAGE F2

- METAL HALF ROUND - API SM110212-12-1000
- BASE - API SM412002-12-1000



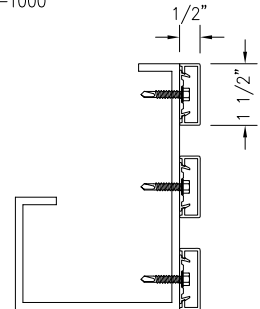
## FASCIA TRIM PACKAGE F3

- (3) METAL STRIPS - API SM110223-12-1000
- BASE - API SM410443-12-1000



## FASCIA TRIM PACKAGE F4

- (3) METAL STRIPS PART - API SM110225-12-1000
- BASE - API SM410443-12-1000



API Recommends that this note appear with storefront elevations and section view details in your blueprints.

Storefront and related materials provided by American Products, Inc. (API). No substitutions without written consent from store owner/Architect. API (813) 925-0144

Customer: API IN-HOUSE

Assembly: CANOPY W/ STEEL OUTRIGGERS

Drawn By: JD

Date: 08/17/15

Revision: JD

Date: 08/27/15

Scale: NTS

Sheet: OP1

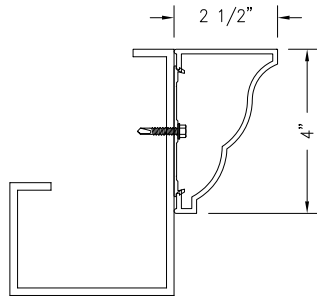


AMERICAN PRODUCTS, INC. (API)  
12157 W. LINEBAUGH AVENUE #335  
TAMPA, FL 33626  
CONTACT: KERRI BEALS  
PH (813) 925-0144  
WWW.AMERICANPROD.COM

# OPTIONAL PARTS

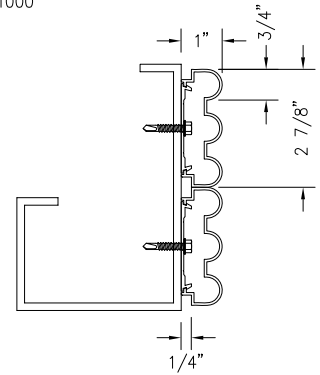
## FASCIA TRIM PACKAGE F5

4" METAL CORNICE - API SM110214-12-1000  
 BASE - API SM410458-12-1000



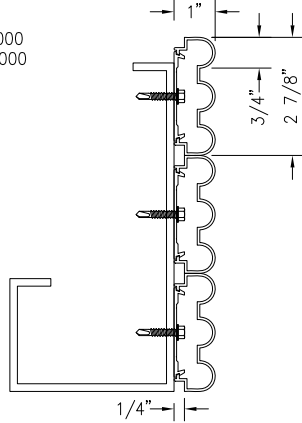
## FASCIA TRIM PACKAGE F6

(2) METAL BEADED STRIPS - API SM110301-12-1000  
 BASE - AP SM410540-12-1000



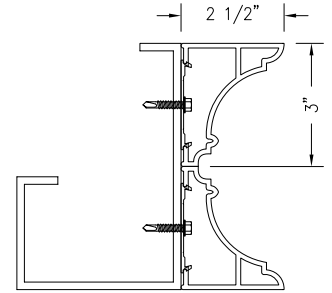
## FASCIA TRIM PACKAGE F7

(3) METAL BEADED STRIPS - API SM110301-12-1000  
 BASE - AP SM410540-12-1000



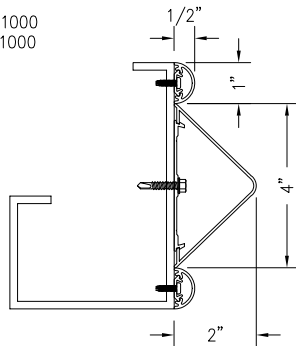
## FASCIA TRIM PACKAGE F8

(2) 3" METAL CORNICE PIECES - API SM110383-12-1000  
 BASE - API SM410540-12-1000



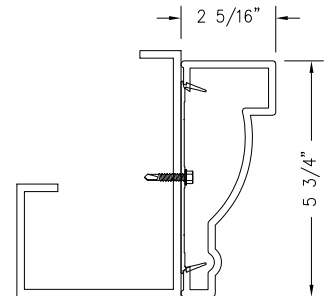
## FASCIA TRIM PACKAGE F9

4" METAL TRIANGLE - API SM110416-12-1000  
 BASE - API SM410458-12-1000  
 (2) 1" METAL HALF ROUNDS - API SM110328-12-1000  
 BASE - API SM411331-12-1000

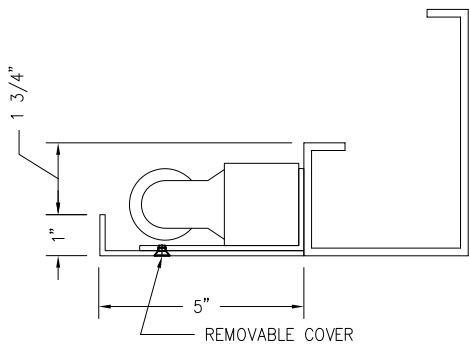


## FASCIA TRIM PACKAGE F10

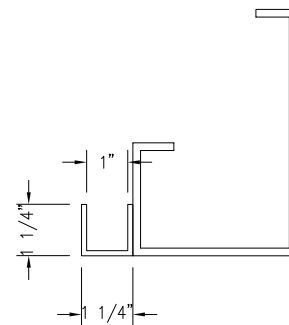
5-3/4" METAL CORNICE - API SM110465-12-1000  
 BASE - API SM412002-12-1000



## LIGHT VALANCE LV1 (1-4 SIDES) - API LV-100-20-1000



## LIGHT VALANCE LV2 (1-4 SIDES) - API LV-101-20-1000



API Recommends that this note appear with storefront elevations and section view details in your blueprints.  
 Storefront and related materials provided by American Products, Inc. (API). No substitutions without written consent from store owner/Architect. API (813) 925-0144

Customer: API IN-HOUSE	
Assembly: CANOPY W/ STEEL OUTRIGGERS	
Drawn By: JD	Date: 08/17/15
Revision: JD	Date: 08/27/15
Scale: NTS	Sheet: OP2



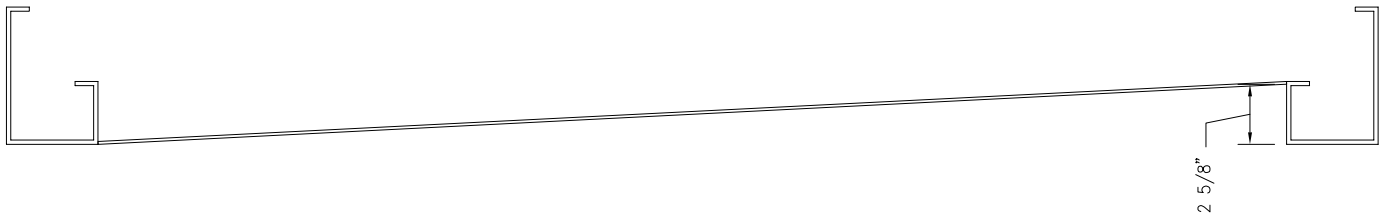
AMERICAN PRODUCTS, INC. (API)  
 12157 W. LINEBAUGH AVENUE #335  
 TAMPA, FL 33626  
 CONTACT: KERRI BEALS  
 PH (813) 925-0144  
 WWW.AMERICANPROD.COM

# OPTIONAL PARTS

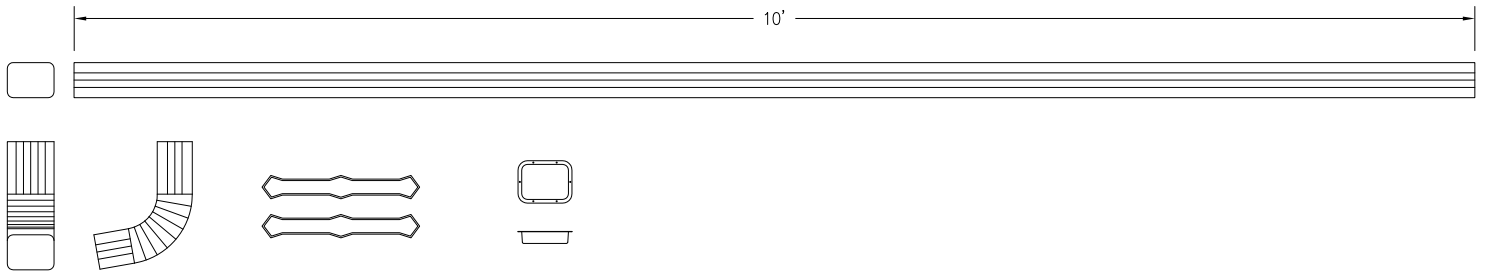
METAL BOTTOM DECK - API CD-181-1000



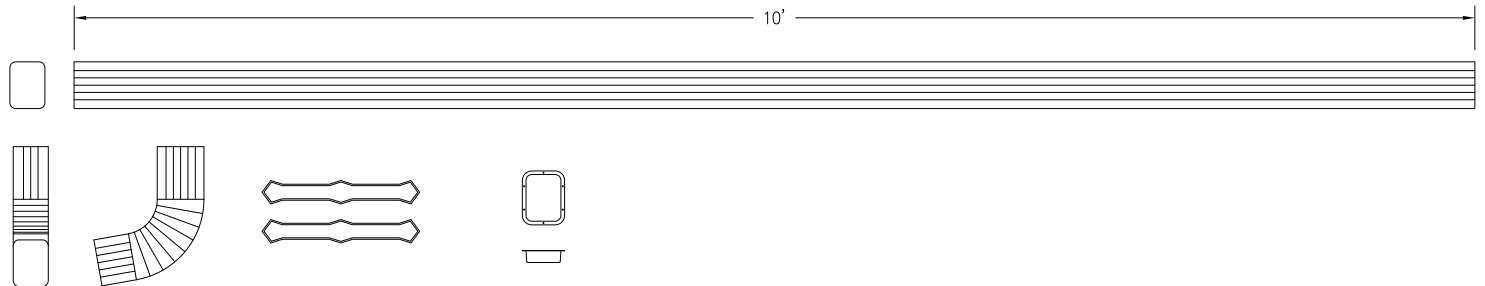
SLOPED METAL BOTTOM DECK (FOR USE W/ LIGHTING VALANCE OPTION) - API CD-181-1000



METAL DOWNSPOUT KIT TYPE A - (1) 3\"/>



METAL DOWNSPOUT KIT TYPE B - (1) 3\"/>



API Recommends that this note appear with storefront elevations and section view details in your blueprints.

---

Storefront and related materials provided by American Products, Inc. (API). No substitutions without written consent from store owner/Architect. API (813) 925-0144

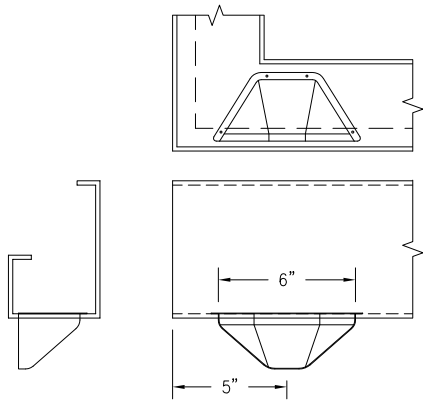
Customer: API IN-HOUSE	
Assembly: CANOPY W/ STEEL OUTRIGGERS	
Drawn By: JD	Date: 08/17/15
Revision: JD	Date: 08/27/15
Scale: NTS	Sheet: OP3



AMERICAN PRODUCTS, INC. (API)  
 12157 W. LINEBAUGH AVENUE #335  
 TAMPA, FL 33626  
 CONTACT: KERRI BEALS  
 PH (813) 925-0144  
 WWW.AMERIANPROD.COM

# OPTIONAL PARTS

GUTTER SCUPPER - API R-GS6-W



NOT USED

NOT USED

NOT USED

NOT USED

NOT USED

NOT USED

NOT USED

API Recommends that this note appear with storefront elevations and section view details in your blueprints.

---

Storefront and related materials provided by American Products, Inc. (API). No substitutions without written consent from store owner/Architect. API (813) 925-0144

Customer: API IN-HOUSE	
Assembly: CANOPY W/ STEEL OUTRIGGERS	
Drawn By: JD	Date: 08/17/15
Revision: JD	Date: 08/27/15
Scale: NTS	Sheet: OP4



AMERICAN PRODUCTS, INC. (API)  
 12157 W. LINEBAUGH AVENUE #335  
 TAMPA, FL 33626  
 CONTACT: KERRI BEALS  
 PH (813) 925-0144  
 WWW.AMERICANPROD.COM