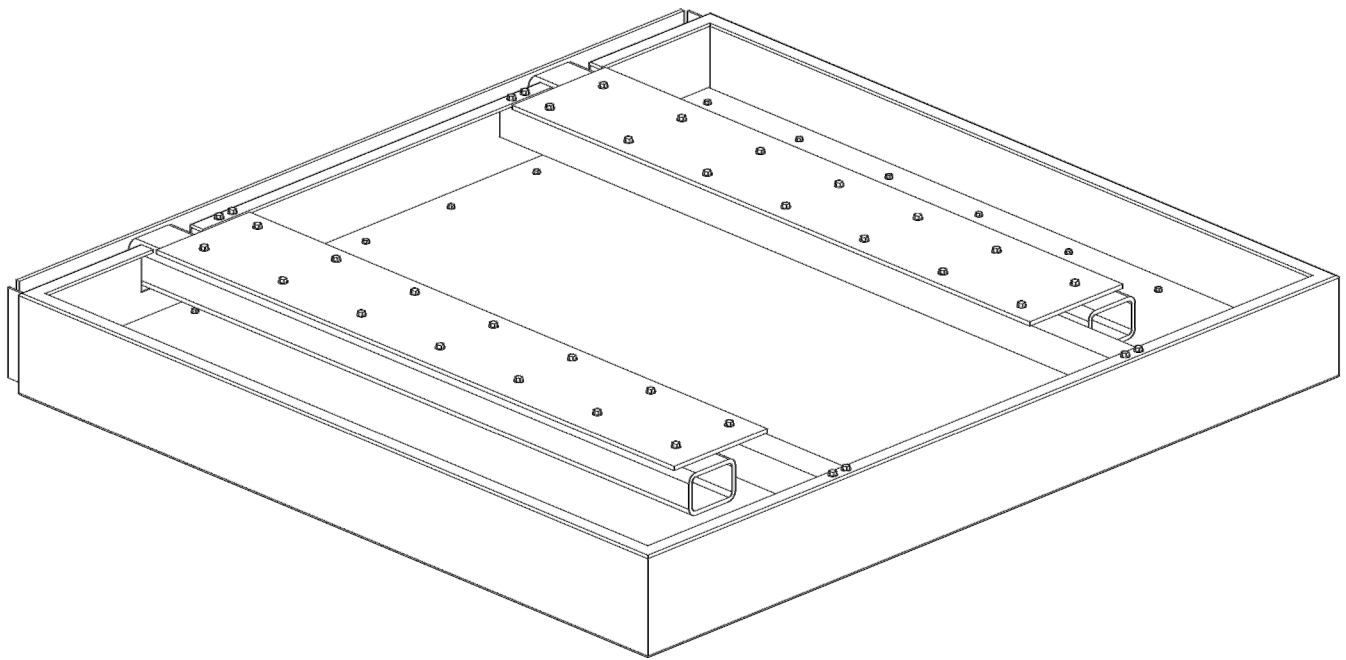


CANOPY W/ STEEL OUTRIGGERS

BY

AMERICAN PRODUCTS INCORPORATED (API)



API Recommends that this note appear with storefront elevations and section view details in your blueprints.

Storefront and related materials provided by American Products, Inc. (API). No substitutions without written consent from store owner/Architect. API (813) 925-0144

Customer: API IN-HOUSE

Assembly: CANOPY W/ STEEL OUTRIGGERS

Drawn By: JD

Date: 09-02-15

Revision: JD

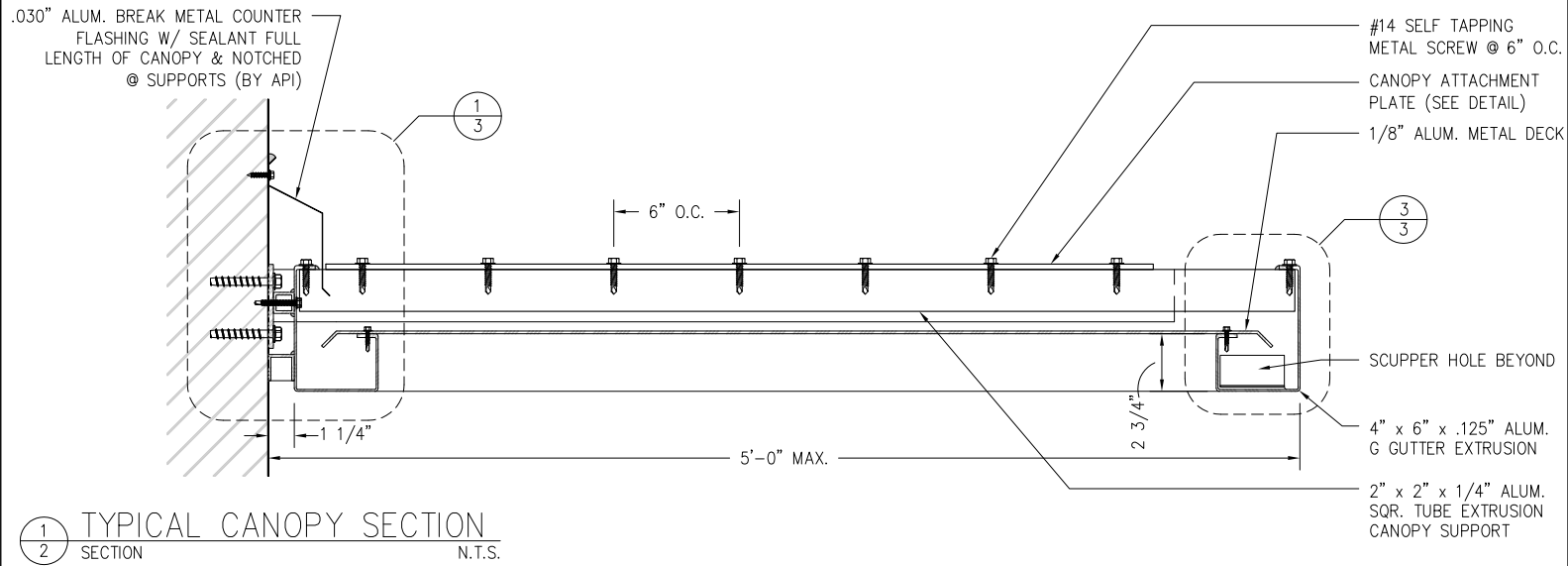
Date: --

Scale: NTS

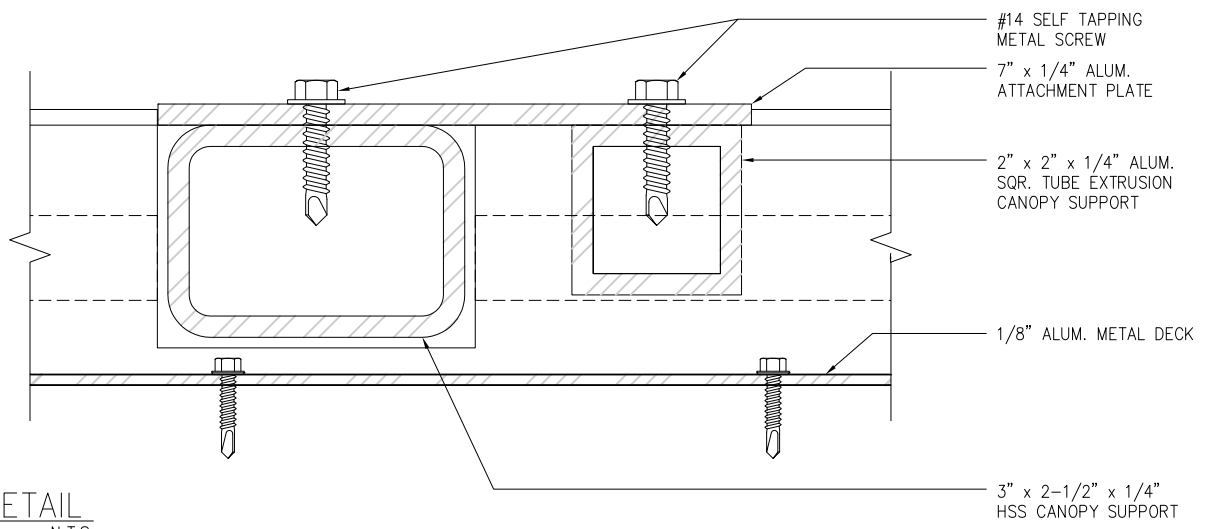
Sheet: COVER



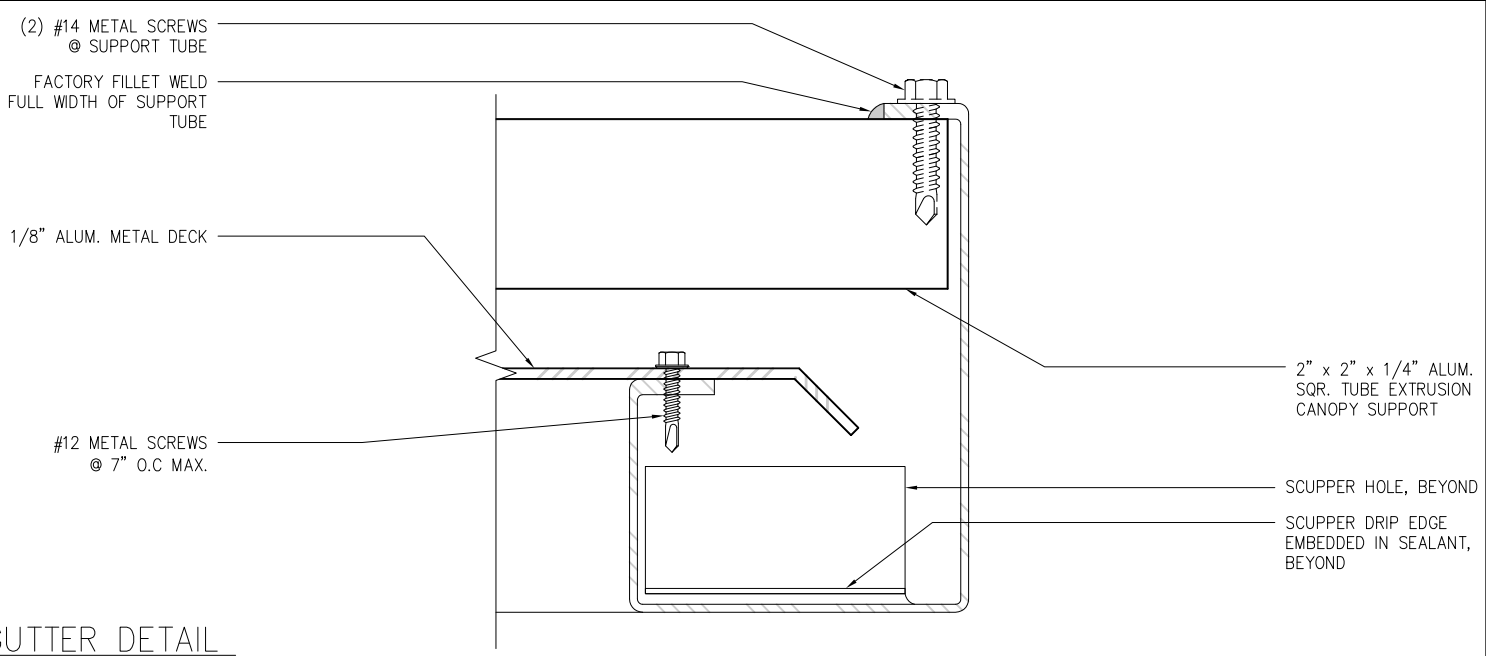
AMERICAN PRODUCTS, INC. (API)
12157 W. LINEBAUGH AVENUE #335
TAMPA, FL 33626
CONTACT: KERRI BEALS
PH (813) 925-0144
WWW.AMERICANPROD.COM



1
2 SECTION TYPICAL CANOPY SECTION N.T.S.



2
2 SECTION ATTACHMENT DETAIL N.T.S.



3
2 SECTION GUTTER DETAIL N.T.S.

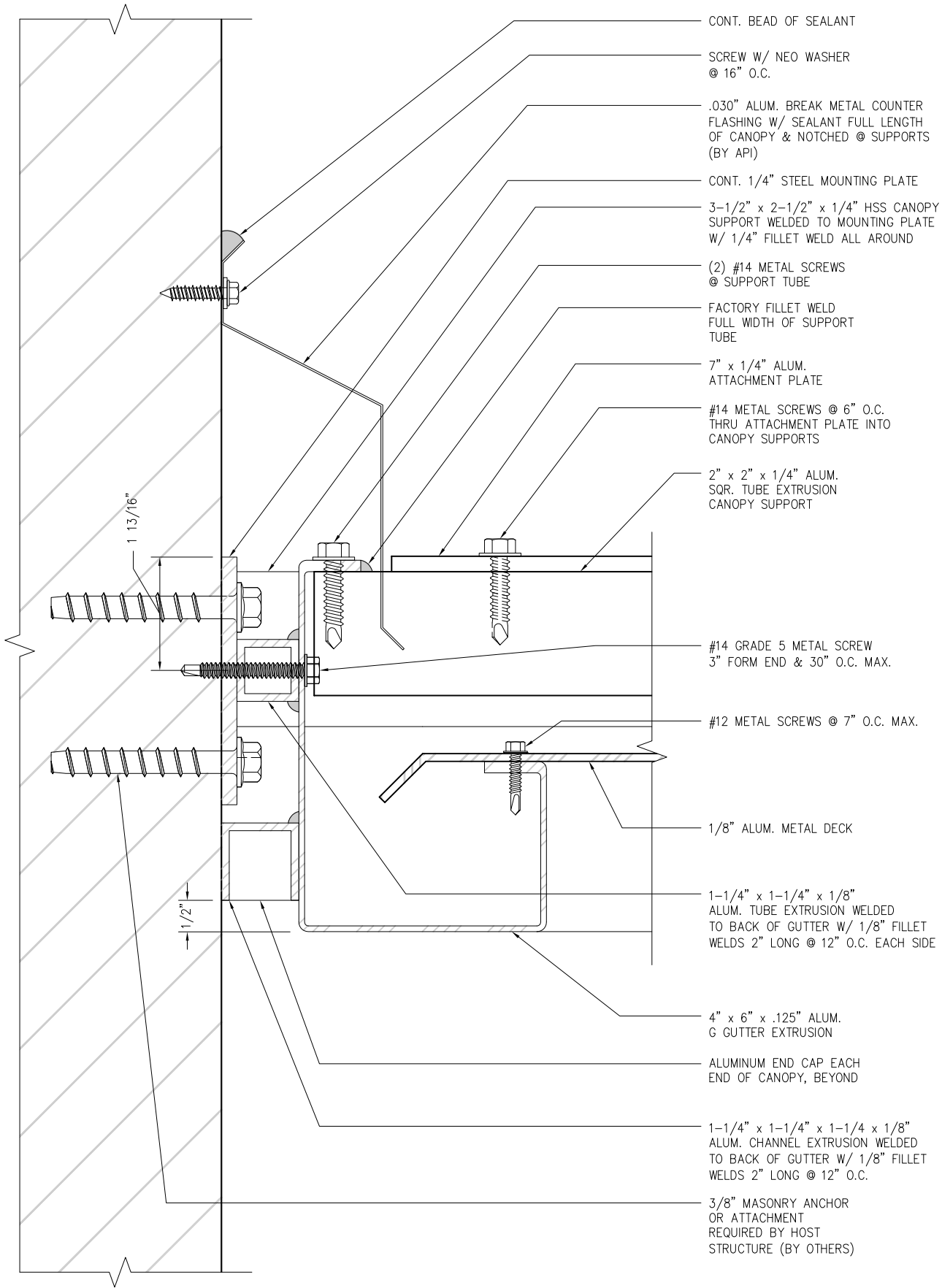
API recommends that this note appear with storefront elevations and section view details in your blueprints.

Storefront and related materials provided by American Products, Inc. (API). No substitutions without written consent from store owner/Architect. API (813) 925-0144

Customer: API IN-HOUSE	
Assembly: CANOPY W/ STEEL OUTRIGGERS	
Drawn By: JD	Date: 09-02-15
Revision: JD	Date: --
Scale: NTS	Sheet: 2



AMERICAN PRODUCTS, INC. (API)
12157 W. LINEBAUGH AVENUE #335
TAMPA, FL 33626
CONTACT: KERRI BEALS
PH (813) 925-0144
WWW.AMERICANPROD.COM



- CONT. BEAD OF SEALANT
- SCREW W/ NEO WASHER @ 16" O.C.
- .030" ALUM. BREAK METAL COUNTER FLASHING W/ SEALANT FULL LENGTH OF CANOPY & NOTCHED @ SUPPORTS (BY API)
- CONT. 1/4" STEEL MOUNTING PLATE
- 3-1/2" x 2-1/2" x 1/4" HSS CANOPY SUPPORT WELDED TO MOUNTING PLATE W/ 1/4" FILLET WELD ALL AROUND
- (2) #14 METAL SCREWS @ SUPPORT TUBE
- FACTORY FILLET WELD FULL WIDTH OF SUPPORT TUBE
- 7" x 1/4" ALUM. ATTACHMENT PLATE
- #14 METAL SCREWS @ 6" O.C. THRU ATTACHMENT PLATE INTO CANOPY SUPPORTS
- 2" x 2" x 1/4" ALUM. SQR. TUBE EXTRUSION CANOPY SUPPORT
- #14 GRADE 5 METAL SCREW 3" FORM END & 30" O.C. MAX.
- #12 METAL SCREWS @ 7" O.C. MAX.
- 1/8" ALUM. METAL DECK
- 1-1/4" x 1-1/4" x 1/8" ALUM. TUBE EXTRUSION WELDED TO BACK OF GUTTER W/ 1/8" FILLET WELDS 2" LONG @ 12" O.C. EACH SIDE
- 4" x 6" x .125" ALUM. G GUTTER EXTRUSION
- ALUMINUM END CAP EACH END OF CANOPY, BEYOND
- 1-1/4" x 1-1/4" x 1-1/4" x 1/8" ALUM. CHANNEL EXTRUSION WELDED TO BACK OF GUTTER W/ 1/8" FILLET WELDS 2" LONG @ 12" O.C.
- 3/8" MASONRY ANCHOR OR ATTACHMENT REQUIRED BY HOST STRUCTURE (BY OTHERS)

1 WALL ATTACHMENT @ GUTTER DETAIL
 3 SECTION N.T.S.

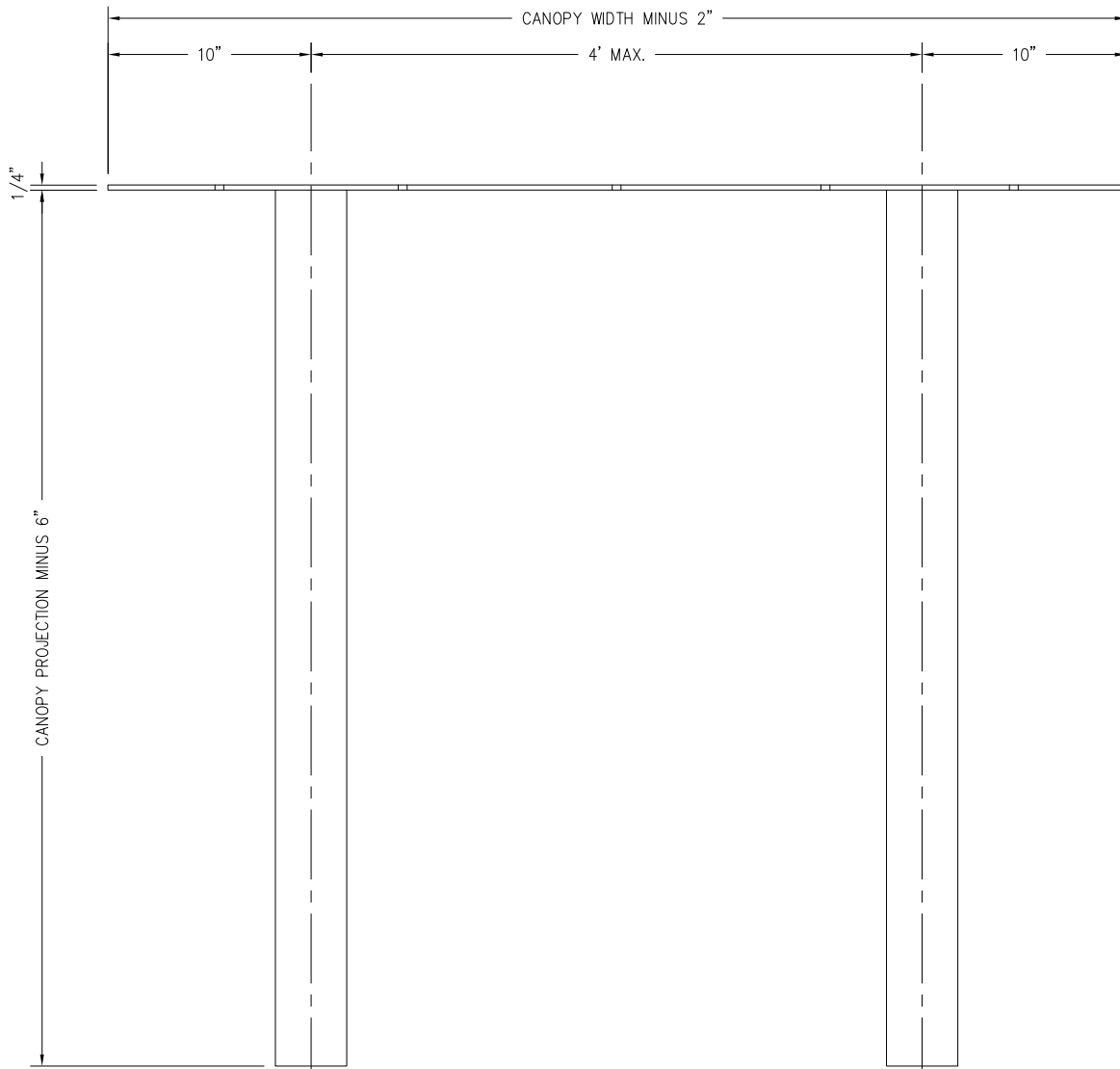
API Recommends that this note appear with storefront elevations and section view details in your blueprints.

Storefront and related materials provided by American Products, Inc. (API). No substitutions without written consent from store owner/ Architect. API (813) 925-0144

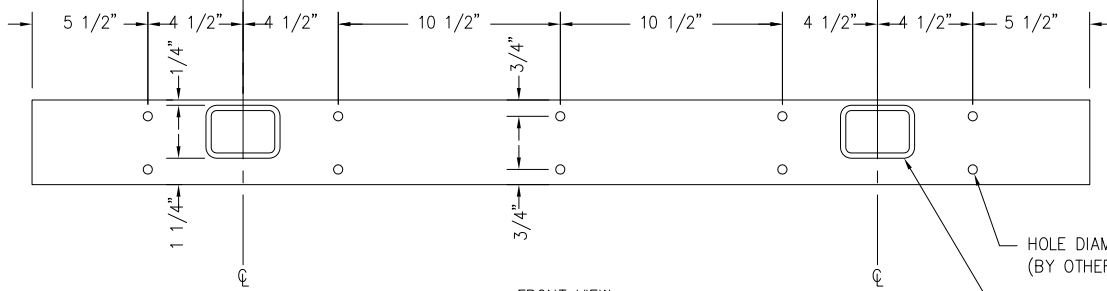
Customer: API IN-HOUSE	
Assembly: CANOPY W/ STEEL OUTRIGGERS	
Drawn By: JD	Date: 09-02-15
Revision: JD	Date: --
Scale: NTS	Sheet: 3



AMERICAN PRODUCTS, INC. (API)
 12157 W. LINEBAUGH AVENUE #335
 TAMPA, FL 33626
 CONTACT: KERRI BEALS
 PH (813) 925-0144
 WWW.AMERICANPROD.COM



PLAN VIEW



FRONT VIEW

HOLE DIAMETER PER FASTENER
(BY OTHERS)

3-1/2" x 2-1/2" x 1/4" HSS

1 STEEL LAYOUT DETAIL
4 ELEVATION & SECTION N.T.S.

API Recommends that this note appear with storefront elevations and section view details in your blueprints.

Storefront and related materials provided by American Products, Inc. (API). No substitutions without written consent from store owner/Architect. API (813) 925-0144

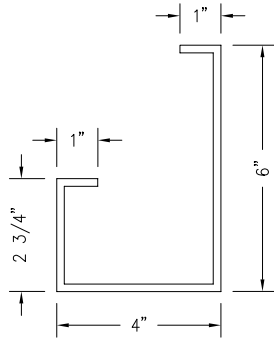
Customer: API IN-HOUSE	
Assembly: CANOPY W/ STEEL OUTRIGGERS	
Drawn By: JD	Date: 09-02-15
Revision: JD	Date: --
Scale: NTS	Sheet: 4



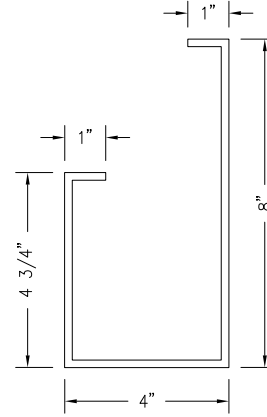
AMERICAN PRODUCTS, INC. (API)
12157 W. LINEBAUGH AVENUE #335
TAMPA, FL 33626
CONTACT: KERRI BEALS
PH (813) 925-0144
WWW.AMERICANPROD.COM

STANDARD PARTS

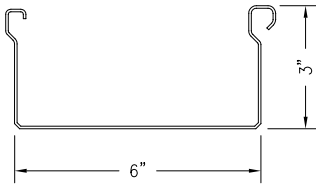
4" x 6" x .125" ALUM G GUTTER EXTRUSION
PART #



4" x 8" x .125" ALUM G GUTTER EXTRUSION
PART #



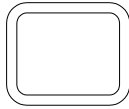
3" x 6" x .060" ALUM. SELF MATING PAN EXTRUSION
PART #



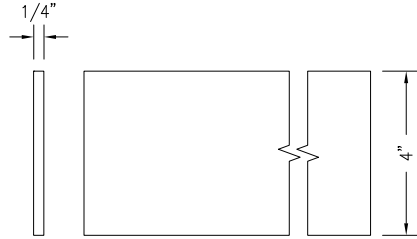
2" x 2" x .25" ALUM. SQR. TUBE EXTRUSION
PART #



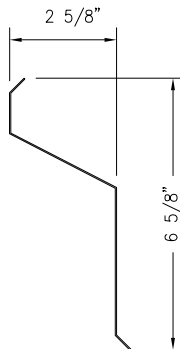
3" x 2-1/2" x 1/4" STEEL SUPPORT TUBE
PART #



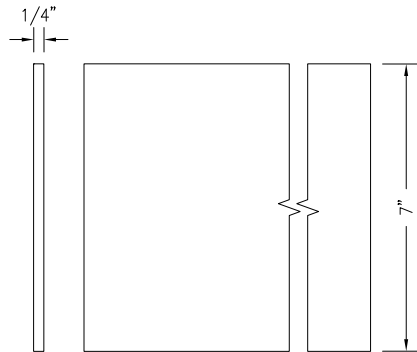
STEEL OUTRIGGER PLATE
PART #



FLASHING
PART #



ALUMINUM ATTACHMENT PLATE
PART #



API Recommends that this note appear with storefront elevations and section view details in your blueprints.

Storefront and related materials provided by American Products, Inc. (API). No substitutions without written consent from store owner/ Architect. API (813) 925-0144

Customer: API IN-HOUSE	
Assembly: CANOPY W/ STEEL OUTRIGGERS	
Drawn By: JD	Date: 09-02-15
Revision: JD	Date: --
Scale: NTS	Sheet:P1



AMERICAN PRODUCTS, INC. (API)
12157 W. LINEBAUGH AVENUE #335
TAMPA, FL 33626
CONTACT: KERRI BEALS
PH (813) 925-0144
WWW.AMERICANPROD.COM

STANDARD PARTS

METAL SCREWS
PART #

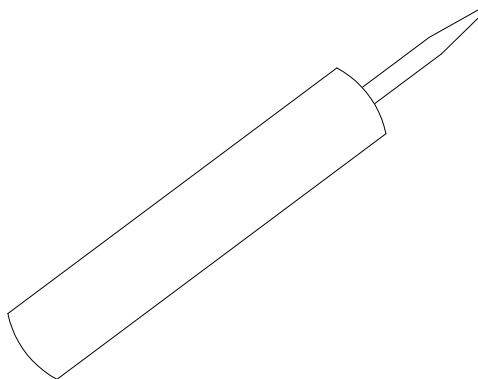


#12 x 1" SS DRILL POINT
PART #

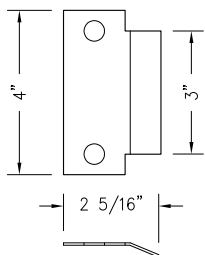


#14 x 1" SS DRILL POINT
PART #

SEALANT - 10.5 OZ TUBE
PART #



SCUPPER HOLE DRIP EDGE
PART #



NOT USED

NOT USED

NOT USED

NOT USED

NOT USED

API Recommends that this note appear with storefront elevations and section view details in your blueprints.

Storefront and related materials provided by American Products, Inc. (API). No substitutions without written consent from store owner/Architect. API (813) 925-0144

Customer: API IN-HOUSE	
Assembly: CANOPY W/ STEEL OUTRIGGERS	
Drawn By: JD	Date: 09-02-15
Revision: JD	Date: --
Scale: NTS	Sheet: OP1



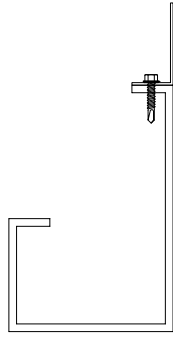
AMERICAN PRODUCTS, INC. (API)
12157 W. LINEBAUGH AVENUE #335
TAMPA, FL 33626
CONTACT: KERRI BEALS
PH (813) 925-0144
WWW.AMERICANPROD.COM

OPTIONAL PARTS

FASCIA EXTENSION ANGLE

AVAILABLE EXTRUSIONS

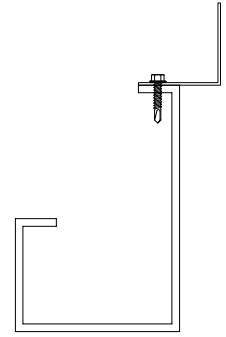
- 1" x 1" x 1/16" (PART #)
- 1" x 2" x 1/16" (PART #)
- 1" x 3" x 1/8" (PART #)
- 1-1/2" x 1-1/2" x 1/16" (PART #)
- 1-1/4" x 3-1/2" x 1/8" (PART#)
- 2" x 4" x 1/8" (PART #)
- 2" x 5" x 1/8" (PART #)



FASCIA EXTENSION ANGLE

AVAILABLE EXTRUSIONS

- 1" x 1-1/2" x 1/16" (PART #)
- 1-1/2" x 1-1/2" x 1/16" (PART #)
- 1" x 2" x 1/16" (PART #)
- 1" x 3" x 1/8" (PART #)
- 1-1/4" x 3-1/2" x 1/8" (PART#)
- 2" x 2" x 1/16" (PART #)
- 2" x 4" x 1/8" (PART #)
- 2" x 5" x 1/8" (PART #)
- 3" x 3" x 1/8" (PART #)



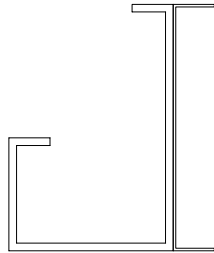
FASCIA EXTENSION CHANNEL

AVAILABLE EXTRUSIONS

- 2-1/2" x 6" x .290"/.170" (PART #)

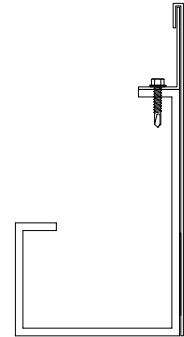
AVAILABLE BREAK METAL

- 1-1/2" x 6" x 1/16" (PART #)
- 1-1/2" x 8" x 1/16" (PART #)



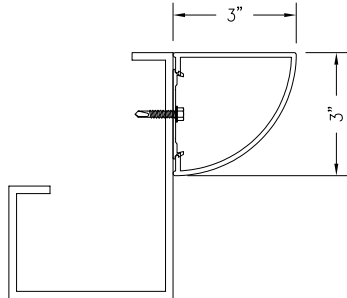
FASCIA CLADDING

AVAILABLE IN MANY FINISHES AND COLORS



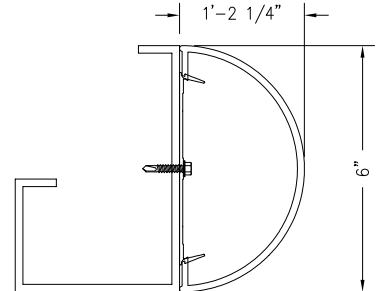
FASCIA TRIM PACKAGE F1

3" METAL QUARTER ROUND PART #



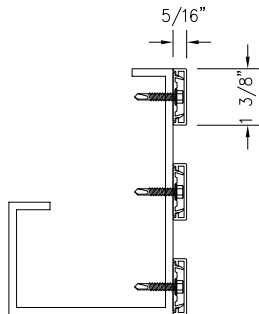
FASCIA TRIM PACKAGE F2

METAL HALF ROUND PART #



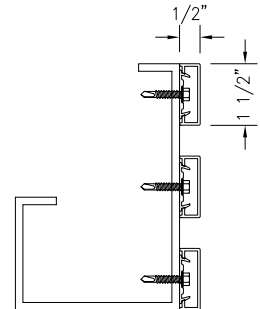
FASCIA TRIM PACKAGE F3

(3) METAL STRIPS PART #



FASCIA TRIM PACKAGE F4

(3) METAL STRIPS PART #



API recommends that this note appear with storefront elevations and section view details in your blueprints.

Storefront and related materials provided by American Products, Inc. (API). No substitutions without written consent from store owner/Architect. API (813) 925-0144

Customer: API IN-HOUSE

Assembly: CANOPY W/ STEEL OUTRIGGERS

Drawn By: JD

Date: 09-02-15

Revision: JD

Date: --

Scale: NTS

Sheet: OP1

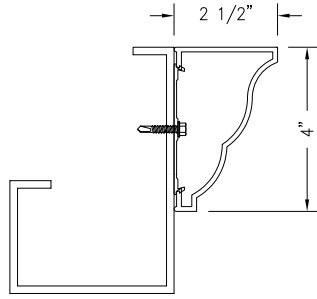


AMERICAN PRODUCTS, INC. (API)
12157 W. LINEBAUGH AVENUE #335
TAMPA, FL 33626
CONTACT: KERRI BEALS
PH (813) 925-0144
WWW.AMERICANPROD.COM

OPTIONAL PARTS

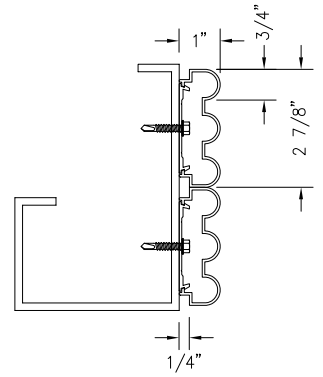
FASCIA TRIM PACKAGE F5

4" METAL CORNICE PART #



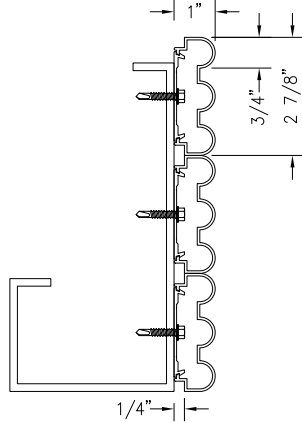
FASCIA TRIM PACKAGE F6

(2) METAL BEADED STRIPS PART #



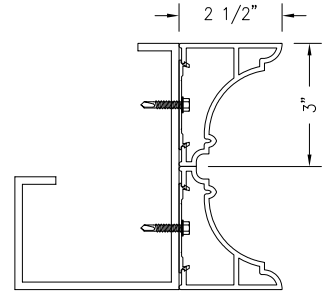
FASCIA TRIM PACKAGE F7

(3) METAL BEADED STRIPS PART #



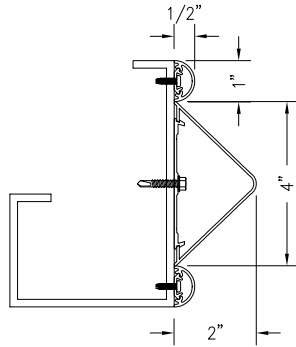
FASCIA TRIM PACKAGE F8

(2) 3" METAL CORNICE PIECES PART #



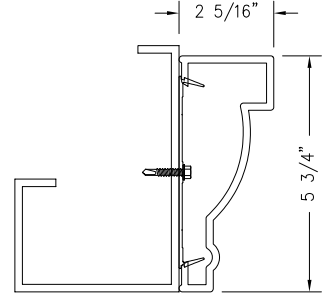
FASCIA TRIM PACKAGE F9

4" METAL TRIANGLE W/
(2) 1" METAL HALF ROUNDS PART #

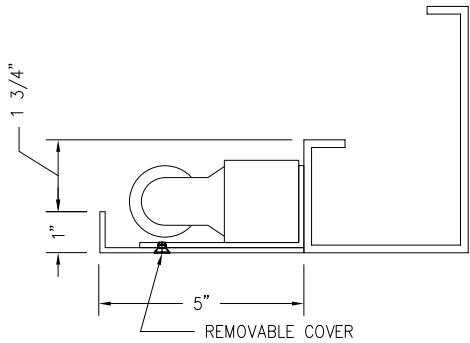


FASCIA TRIM PACKAGE F10

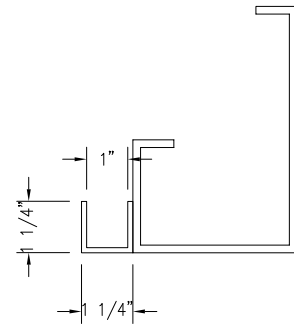
5-3/4" METAL CORNICE PART #



LIGHT VALANCE LV1 (1-4 SIDES) PART #



LIGHT VALANCE LV2 (1-4 SIDES) PART #



API Recommends that this note appear with storefront elevations and section view details in your blueprints.

Storefront and related materials provided by American Products, Inc. (API). No substitutions without written consent from store owner/Architect. API (813) 925-0144

Customer: API IN-HOUSE	
Assembly: CANOPY W/ STEEL OUTRIGGERS	
Drawn By: JD	Date: 09-02-15
Revision: JD	Date: --
Scale: NTS	Sheet: OP2



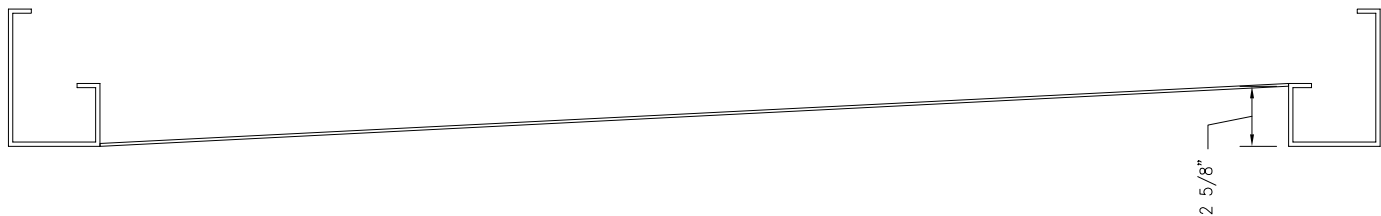
AMERICAN PRODUCTS, INC. (API)
12157 W. LINEBAUGH AVENUE #335
TAMPA, FL 33626
CONTACT: KERRI BEALS
PH (813) 925-0144
WWW.AMERICANPROD.COM

OPTIONAL PARTS

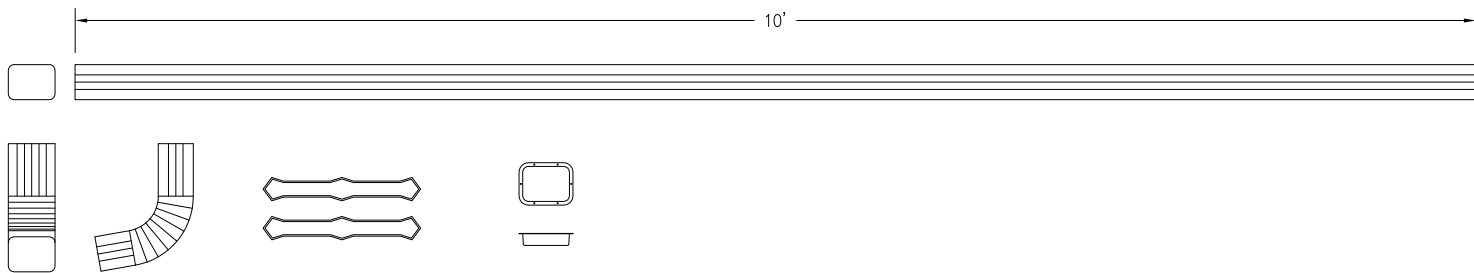
METAL BOTTOM DECK PART #



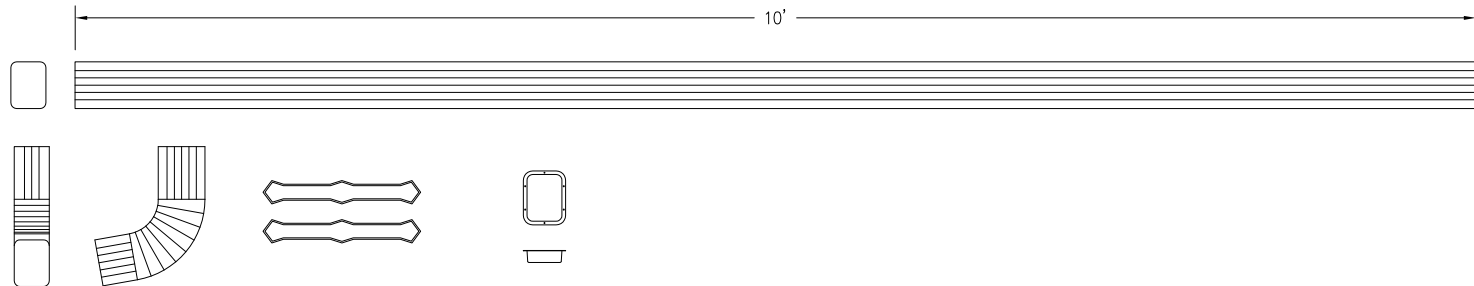
SLOPED METAL BOTTOM DECK (FOR USE W/ LIGHTING VALANCE OPTION) PART #



METAL DOWNSPOUT KIT TYPE A - (1) 3" x 4" LEADER, (1) GUTTER OUTLET, (1) ELBOW, (2) STRAPS PART #



METAL DOWNSPOUT KIT TYPE B - (1) 3" x 4" LEADER, (1) GUTTER OUTLET, (1) ELBOW, (2) STRAPS PART #



API Recommends that this note appear with storefront elevations and section view details in your blueprints.

Storefront and related materials provided by American Products, Inc. (API). No substitutions without written consent from store owner/Architect. API (813) 925-0144

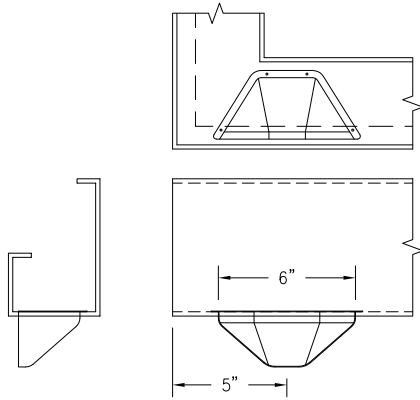
Customer: API IN-HOUSE	
Assembly: CANOPY W/ STEEL OUTRIGGERS	
Drawn By: JD	Date: 09-02-15
Revision: JD	Date: --
Scale: NTS	Sheet: OP3



AMERICAN PRODUCTS, INC. (API)
 12157 W. LINEBAUGH AVENUE #335
 TAMPA, FL 33626
 CONTACT: KERRI BEALS
 PH (813) 925-0144
 WWW.AMERICANPROD.COM

OPTIONAL PARTS

GUTTER SCUPPER PART #



NOT USED

NOT USED

NOT USED

NOT USED

NOT USED

NOT USED

NOT USED

API Recommends that this note appear with storefront elevations and section view details in your blueprints.

Storefront and related materials provided by American Products, Inc. (API). No substitutions without written consent from store owner/Architect. API (813) 925-0144

Customer: API IN-HOUSE

Assembly: CANOPY W/ STEEL OUTRIGGERS

Drawn By: JD

Date: 09-02-15

Revision: JD

Date: --

Scale: NTS

Sheet: OP4



AMERICAN PRODUCTS, INC. (API)
12157 W. LINEBAUGH AVENUE #335
TAMPA, FL 33626
CONTACT: KERRI BEALS
PH (813) 925-0144
WWW.AMERICANPROD.COM