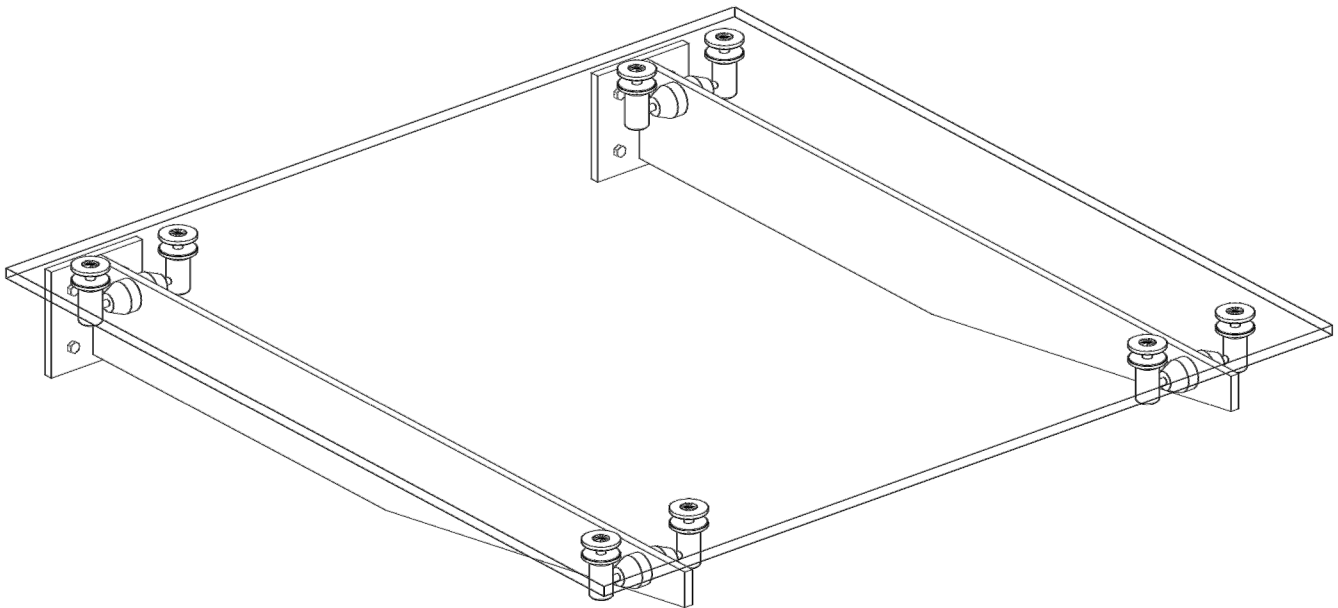


CANTILEVER GLASS CANOPY

BY

AMERICAN PRODUCTS INCORPORATED (API)



API Recommends that this note appear with storefront elevations and section view details in your blueprints.

Storefront and related materials provided by American Products, Inc. (API). No substitutions without written consent from store owner/Architect. API (813) 925-0144

Customer: API IN-HOUSE

Assembly: CANTILEVER GLASS CANOPY

Drawn By: JD

Date: 08/27/15

Revision: JD

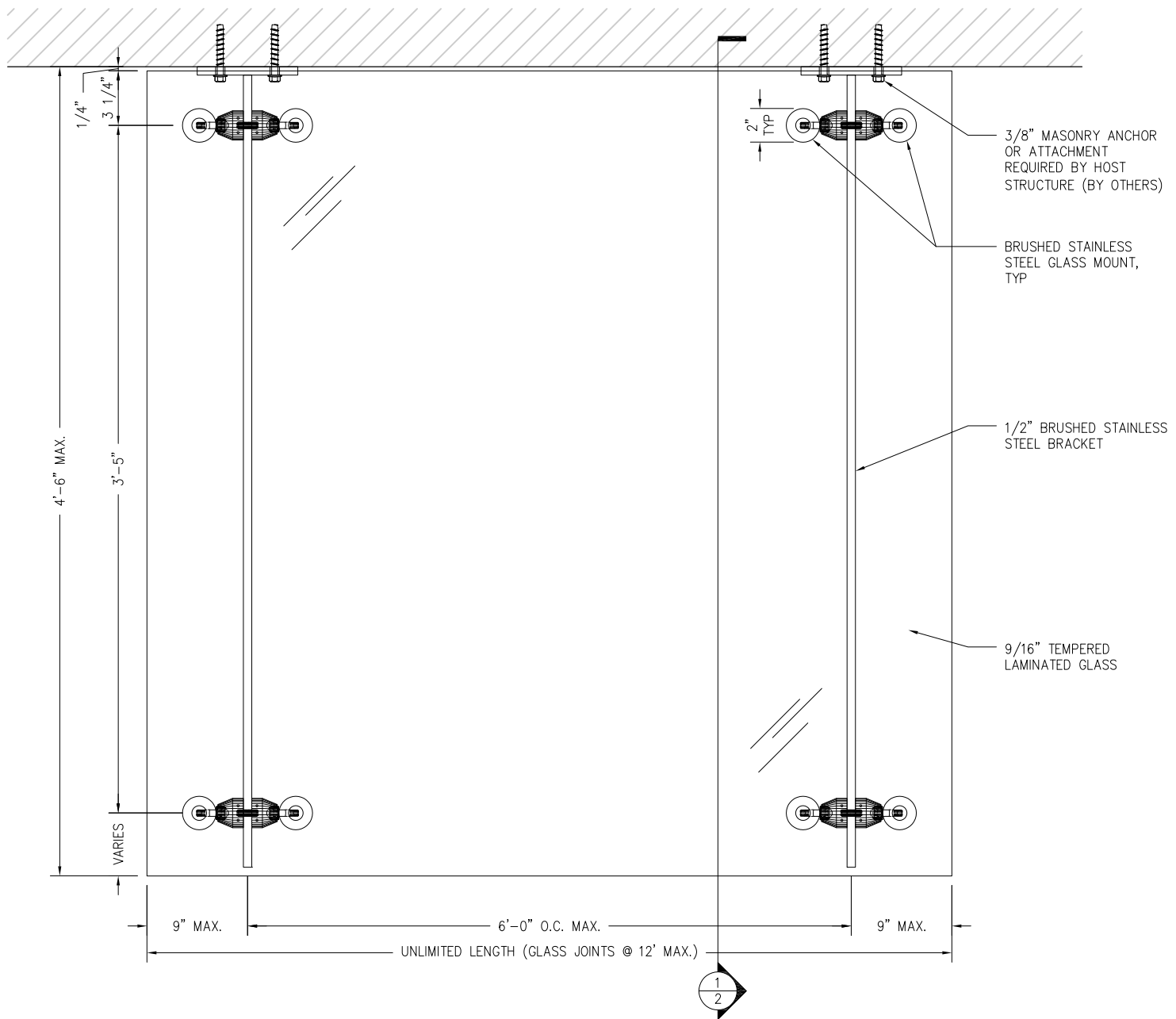
Date:

Scale: NTS

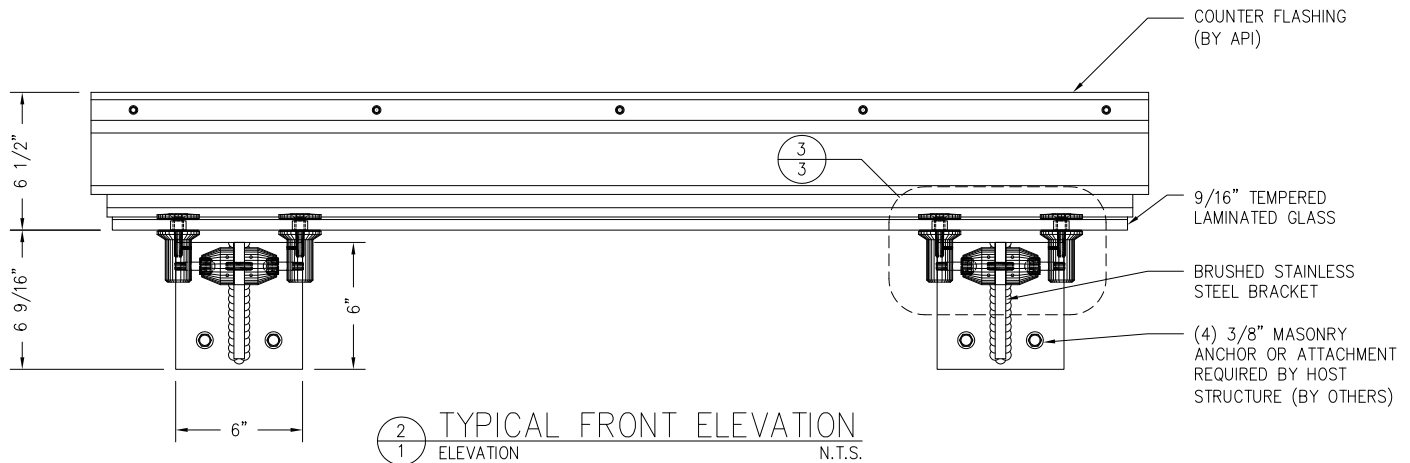
Sheet: COVER



AMERICAN PRODUCTS, INC. (API)
12157 W. LINEBAUGH AVENUE #335
TAMPA, FL 33626
CONTACT: KERRI BEALS
PH (813) 925-0144
WWW.AMERICANPROD.COM



1 TYPICAL CANOPY PLAN
1 PLAN VIEW N.T.S.



2 TYPICAL FRONT ELEVATION
1 ELEVATION N.T.S.

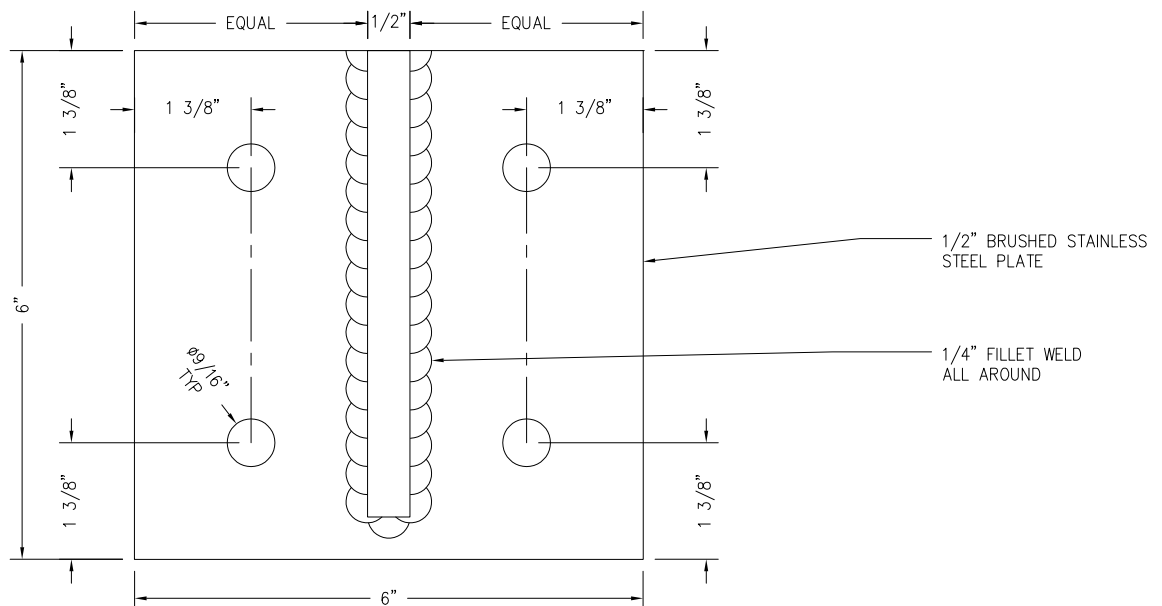
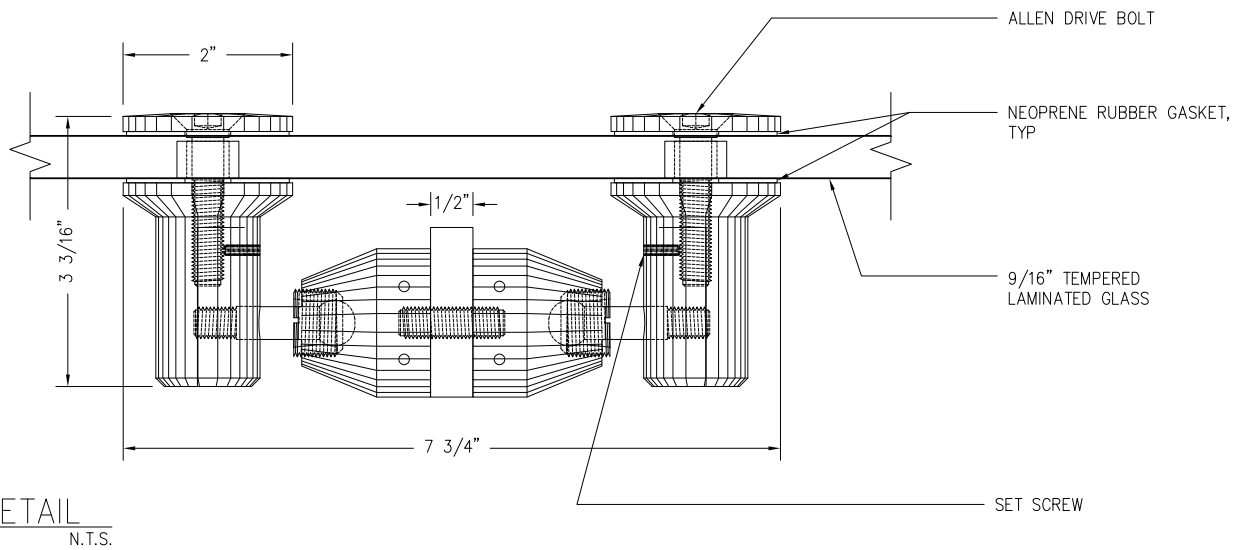
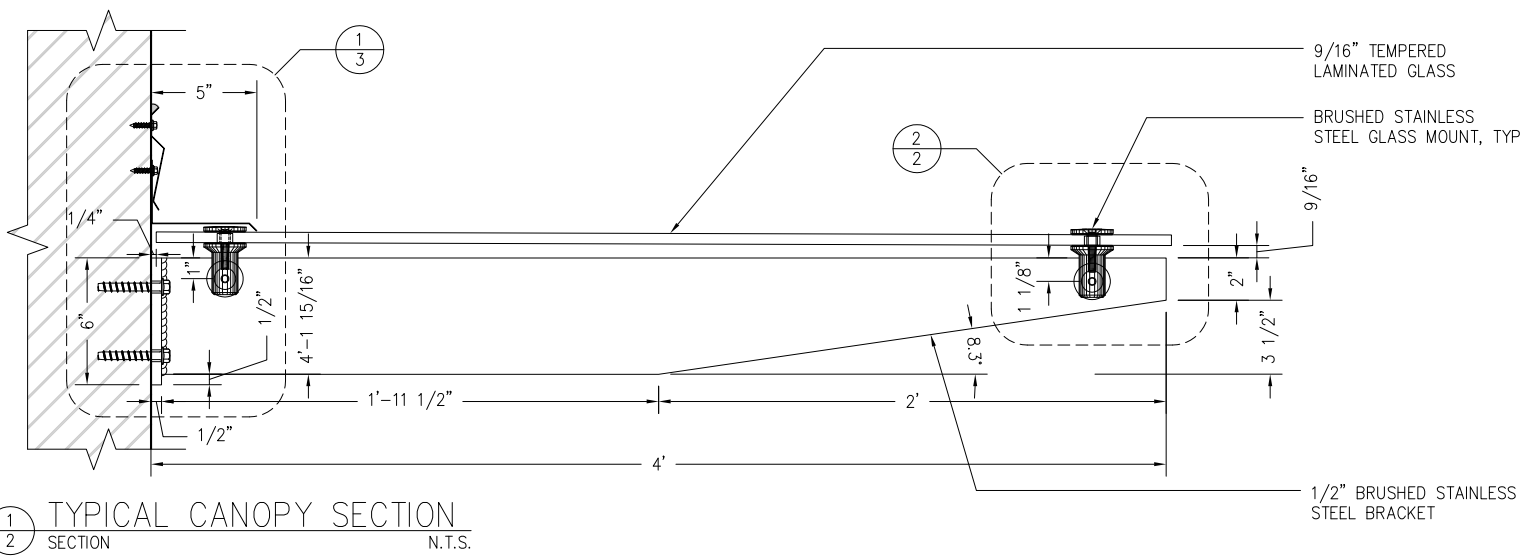
API Recommends that this note appear with storefront elevations and section view details in your blueprints.

Storefront and related materials provided by American Products, Inc. (API). No substitutions without written consent from store owner/Architect. API (813) 925-0144

Customer: API IN-HOUSE	
Assembly: CANTILEVER GLASS CANOPY	
Drawn By: JD	Date: 08/27/15
Revision: JD	Date:
Scale: NTS	Sheet:1



AMERICAN PRODUCTS, INC. (API)
12157 W. LINEBAUGH AVENUE #335
TAMPA, FL 33626
CONTACT: KERRI BEALS
PH (813) 925-0144
WWW.AMERICANPROD.COM



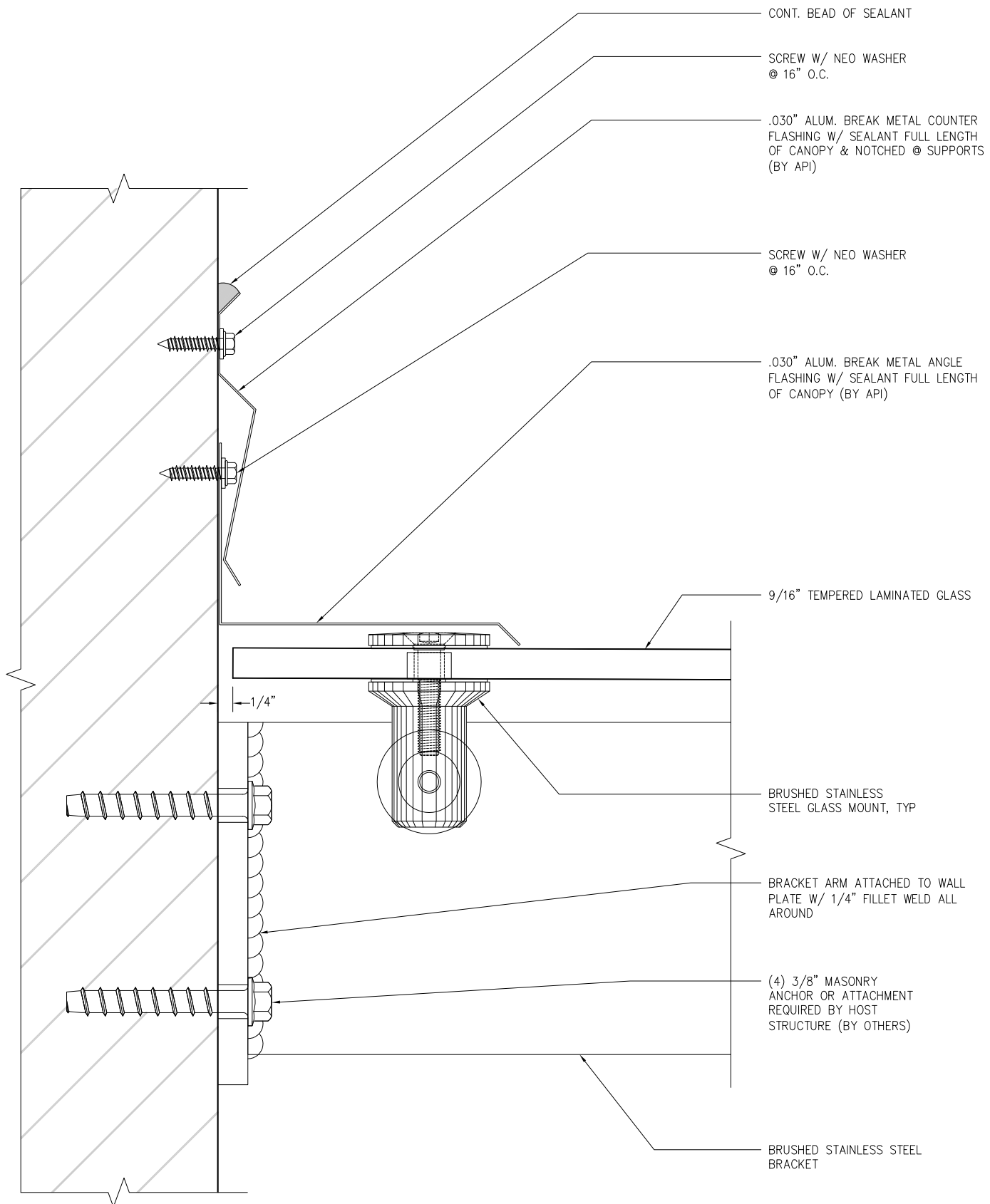
API Recommends that this note appear with storefront elevations and section view details in your blueprints.

Storefront and related materials provided by American Products, Inc. (API). No substitutions without written consent from store owner/Architect. API (813) 925-0144

Customer: API IN-HOUSE	
Assembly: CANTILEVER GLASS CANOPY	
Drawn By: JD	Date: 08/27/15
Revision: JD	Date:
Scale: NTS	Sheet: 2



AMERICAN PRODUCTS, INC. (API)
12157 W. LINEBAUGH AVENUE #335
TAMPA, FL 33626
CONTACT: KERRI BEALS
PH (813) 925-0144
WWW.AMERICANPROD.COM



- CONT. BEAD OF SEALANT
- SCREW W/ NEO WASHER @ 16" O.C.
- .030" ALUM. BREAK METAL COUNTER FLASHING W/ SEALANT FULL LENGTH OF CANOPY & NOTCHED @ SUPPORTS (BY API)
- SCREW W/ NEO WASHER @ 16" O.C.
- .030" ALUM. BREAK METAL ANGLE FLASHING W/ SEALANT FULL LENGTH OF CANOPY (BY API)
- 9/16" TEMPERED LAMINATED GLASS
- BRUSHED STAINLESS STEEL GLASS MOUNT, TYP
- BRACKET ARM ATTACHED TO WALL PLATE W/ 1/4" FILLET WELD ALL AROUND
- (4) 3/8" MASONRY ANCHOR OR ATTACHMENT REQUIRED BY HOST STRUCTURE (BY OTHERS)
- BRUSHED STAINLESS STEEL BRACKET

1 WALL ATTACHMENT DETAIL
 3 SECTION N.T.S.

API Recommends that this note appear with storefront elevations and section view details in your blueprints.

Storefront and related materials provided by American Products, Inc. (API). No substitutions without written consent from store owner/ Architect. API (813) 925-0144

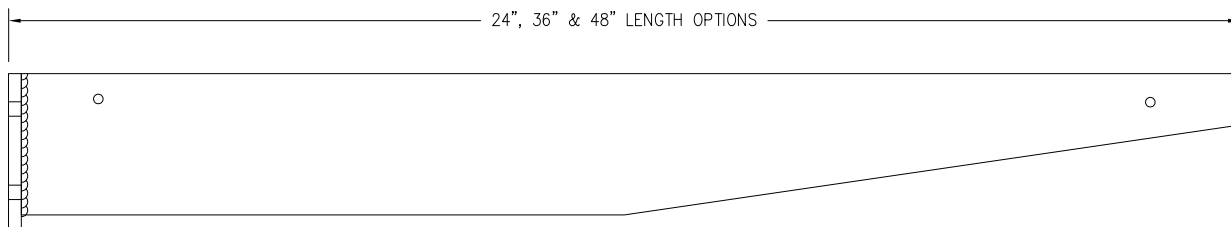
Customer: API IN-HOUSE	
Assembly: CANTILEVER GLASS CANOPY	
Drawn By: JD	Date: 08/27/15
Revision: JD	Date:
Scale: NTS	Sheet: 3



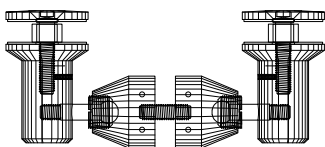
AMERICAN PRODUCTS, INC. (API)
 12157 W. LINEBAUGH AVENUE #335
 TAMPA, FL 33626
 CONTACT: KERRI BEALS
 PH (813) 925-0144
 WWW.AMERICANPROD.COM

STANDARD PARTS

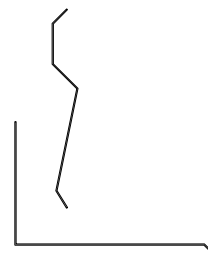
STAINLESS STEEL BRACKET
PART #



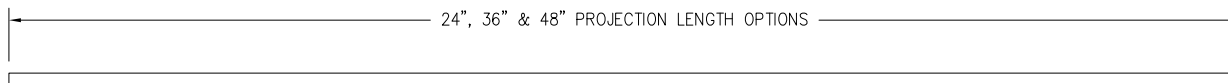
STAINLESS STEEL GLASS MOUNT
PART #



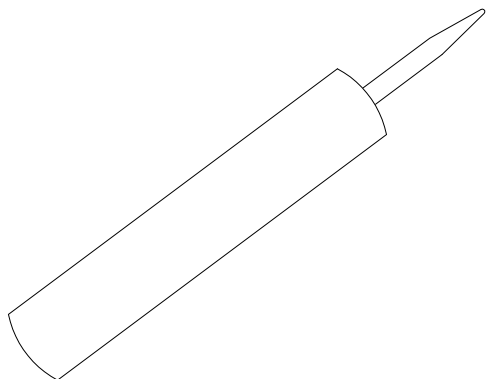
(2) PART .030" METAL FLASHING
PART #



9/16" TEMPERED LAMINATED GLASS
PART #



FLASHING
PART #



API Recommends that this note appear with storefront elevations and section view details in your blueprints.

Storefront and related materials provided by American Products, Inc. (API). No substitutions without written consent from store owner/Architect. API (813) 925-0144

Customer: API IN-HOUSE	
Assembly: CANTILEVER GLASS CANOPY	
Drawn By: JD	Date: 08/27/15
Revision: JD	Date:
Scale: NTS	Sheet:P1



AMERICAN PRODUCTS, INC. (API)
12157 W. LINEBAUGH AVENUE #335
TAMPA, FL 33626
CONTACT: KERRI BEALS
PH (813) 925-0144
WWW.AMERICANPROD.COM