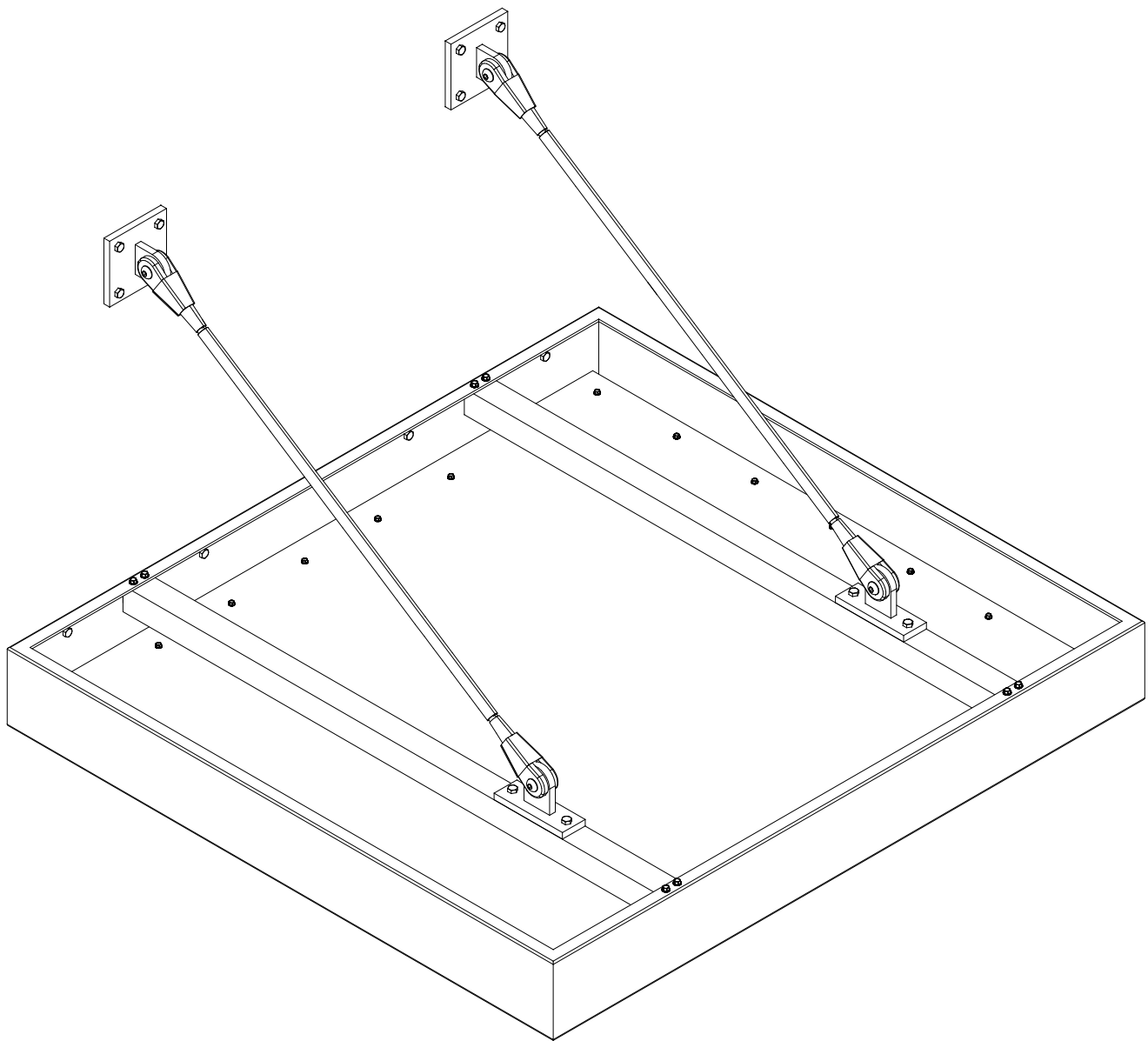


SUSPENDED CANOPY W/ FLAT DECK

BY

AMERICAN PRODUCTS INCORPORATED (API)



API Recommends that this note appear with storefront elevations and section view details in your blueprints.

Storefront and related materials provided by American Products, Inc. (API). No substitutions without written consent from store owner/Architect. API (813) 925-0144

Customer: API IN-HOUSE

Assembly: SUSPENDED CANOPY W/ FLAT DECK

Drawn By: JD

Date: 08-03-15

Revision: ER

Date: 11-04-16

Scale: NTS

Sheet: COVER



AMERICAN PRODUCTS, INC. (API)
12157 W. LINEBAUGH AVENUE #335
TAMPA, FL 33626
CONTACT: KERRI BEALS
PH (813) 925-0144
WWW.AMERICANPROD.COM

GENERAL NOTES

1. BUILDING'S ENGINEER OF RECORD SHALL CERTIFY BUILDING'S STRUCTURAL ABILITY TO CARRY CANOPY LOADS.
2. INTERNAL WALL BLOCKING & BRACING AT CANOPY CONNECTION POINTS TO BUILDING ARE BY OTHERS UNLESS OTHERWISE NOTED.
3. ALL CANOPY CONNECTION POINTS TO WALL ARE DESIGNED BY OTHERS UNLESS OTHERWISE NOTED.
4. ALL FASTENERS NOT OTHERWISE NOTED ARE STAINLESS STEEL.
5. ALL FASTENER HOLES NOT OTHERWISE NOTED ARE FIELD DRILLED.
6. THE INSTALLATION CONTRACTOR IS RESPONSIBLE FOR THE PROPER FLASHING, SEALING & WATER-PROOFING OF THE EXISTING BUILDING & CANOPY.

DESIGN NOTES

1. FINISH TO BE CHOSEN BY CUSTOMER.
2. SURROUND WALL ANCHORS WITH SEALANT.
3. TO ENSURE PROPER DRAINAGE INSTALL CANOPY WITH POSITIVE SLOPE.
4. UNLESS OTHERWISE NOTED FIELD DRILL HOLES IN GUTTER FOR SCUPPER & DOWNSPOUT OUTLET LOCATIONS.
5. ALL WELDS SHOWN ARE FACTORY MADE.

API Recommends that this note appear with storefront elevations and section view details in your blueprints.

Storefront and related materials provided by American Products, Inc. (API). No substitutions without written consent from store owner/ Architect. API (813) 925-0144

Customer: API IN-HOUSE

Assembly: SUSPENDED CANOPY W/ FLAT DECK

Drawn By: JD

Date: 08-03-15

Revision: ER

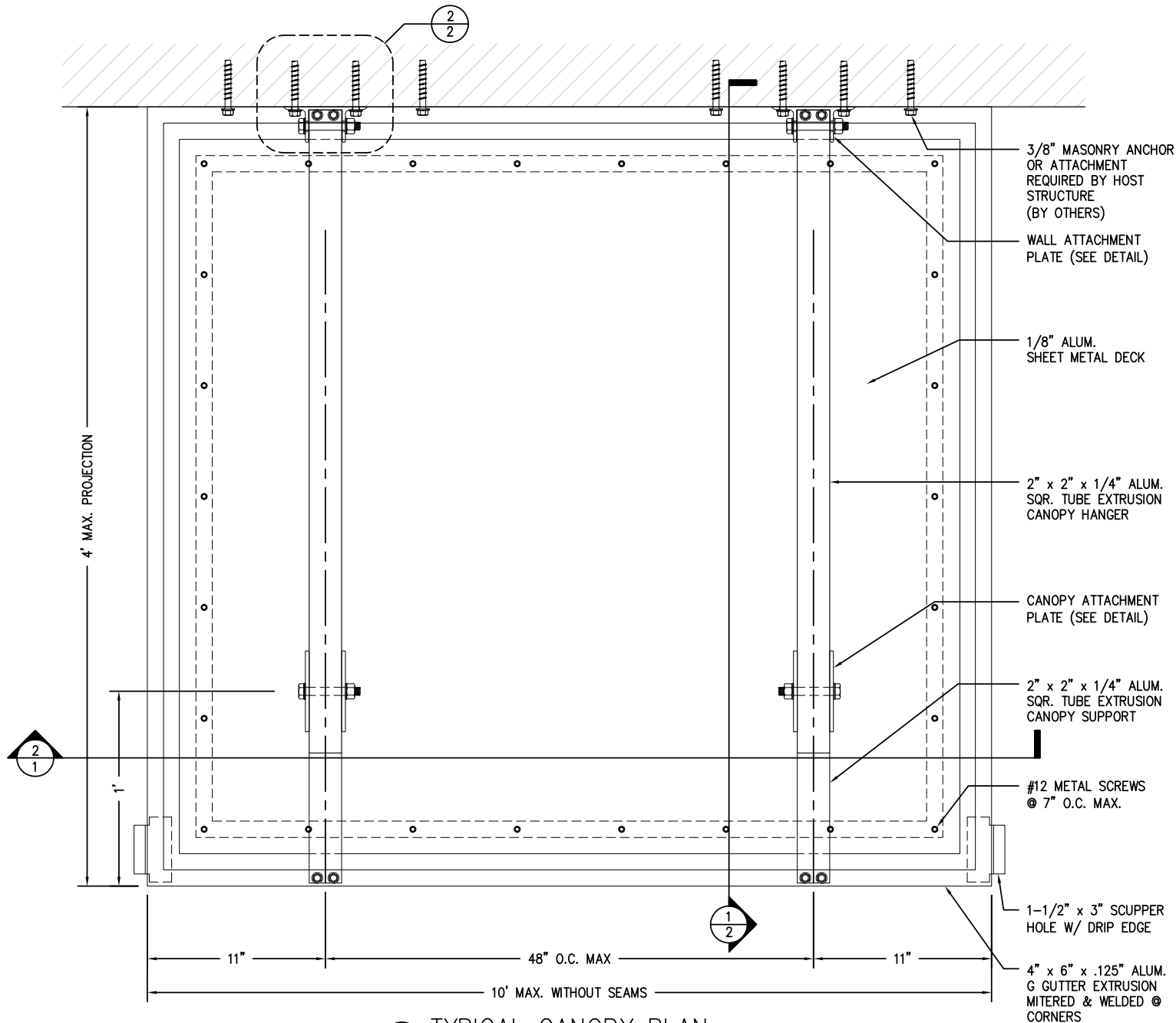
Date: 11-07-16

Scale: NTS

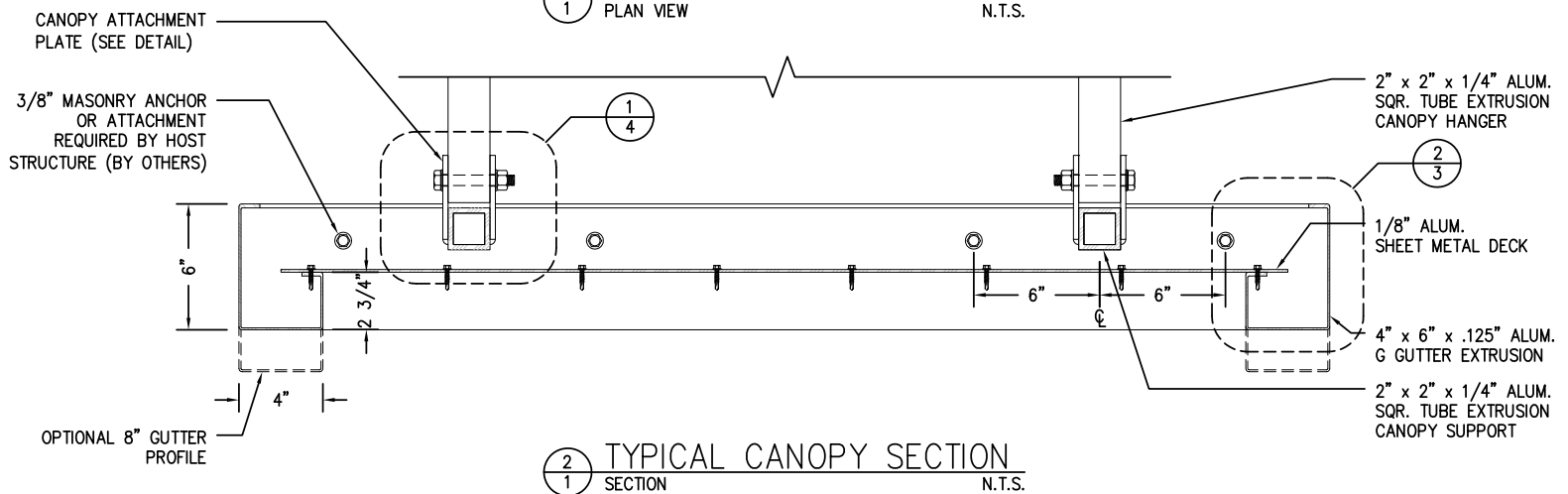
Sheet:NOTES



AMERICAN PRODUCTS, INC. (API)
12157 W. LINEBAUGH AVENUE #335
TAMPA, FL 33626
CONTACT: KERRI BEALS
PH (813) 925-0144
WWW.AMERICANPROD.COM



1 TYPICAL CANOPY PLAN
1 PLAN VIEW N.T.S.



2 TYPICAL CANOPY SECTION
1 SECTION N.T.S.

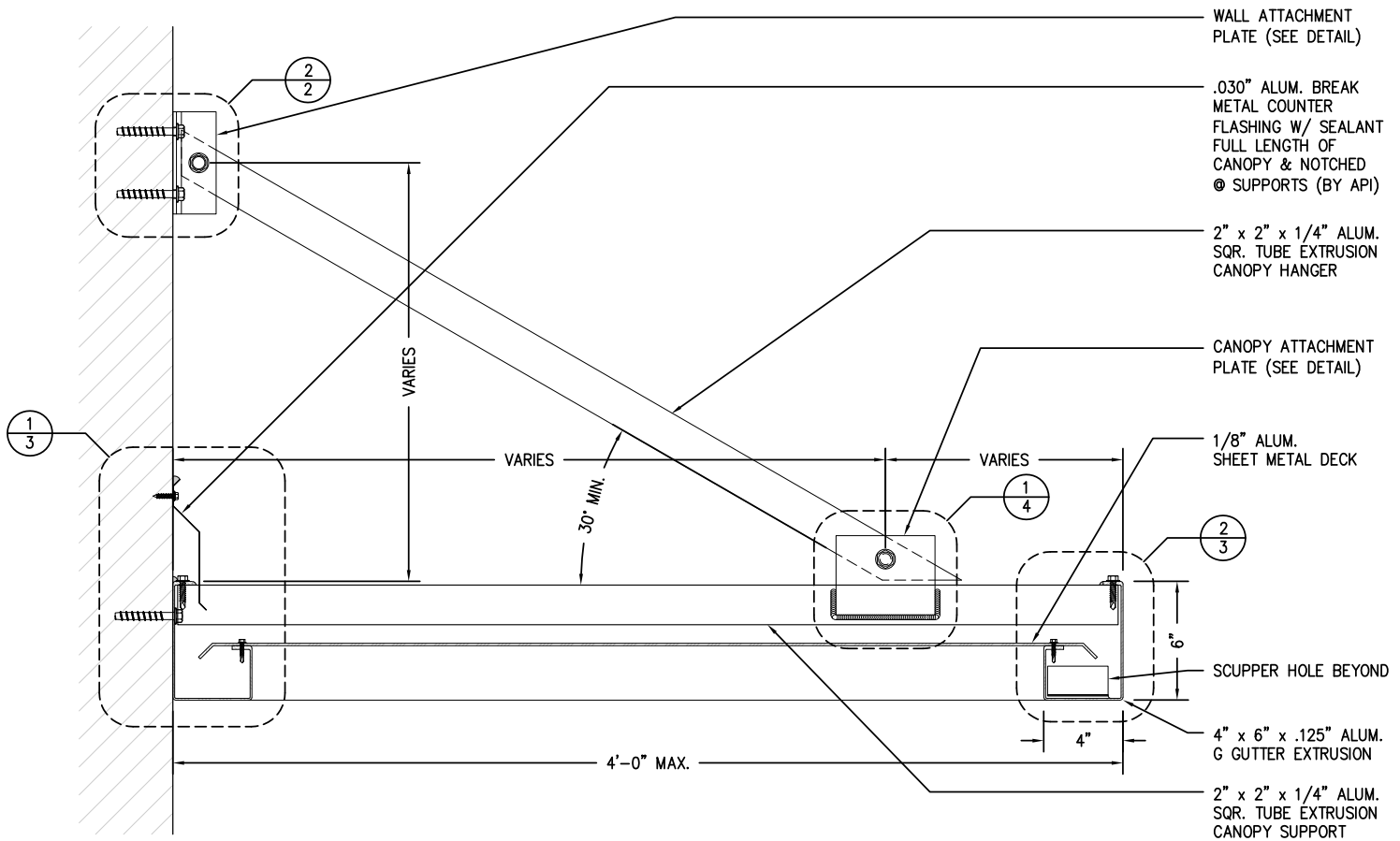
API recommends that this note appear with storefront elevations and section view details in your blueprints.

Storefront and related materials provided by American Products, Inc. (API). No substitutions without written consent from store owner/Architect. API (813) 925-0144

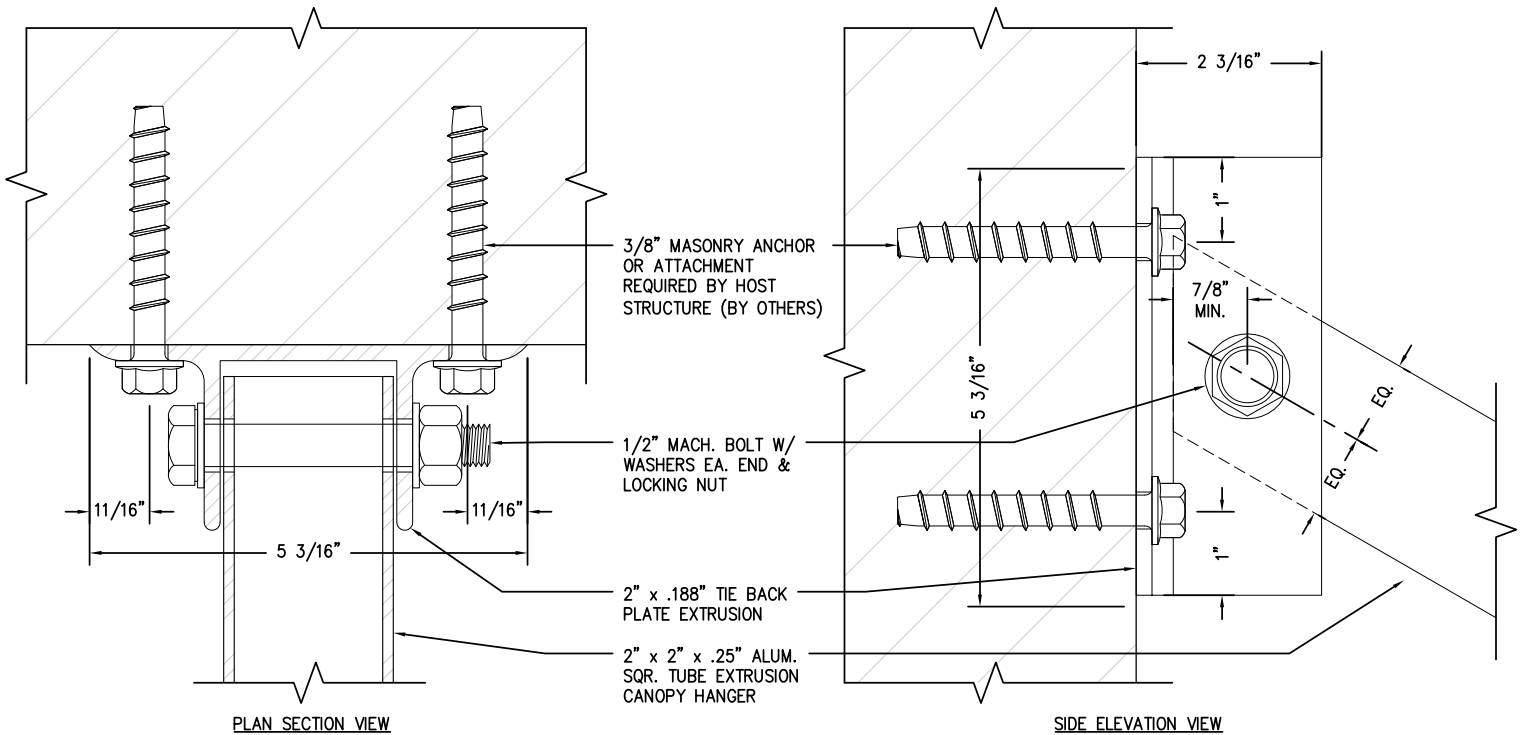
Customer: API IN-HOUSE	
Assembly: SUSPENDED CANOPY W/ FLAT DECK	
Drawn By: JD	Date: 08-03-15
Revision: ER	Date: 11-07-16
Scale: NTS	Sheet: 1



AMERICAN PRODUCTS, INC. (API)
12157 W. LINEBAUGH AVENUE #335
TAMPA, FL 33626
CONTACT: KERRI BEALS
PH (813) 925-0144
WWW.AMERICANPROD.COM



1 TYPICAL CANOPY SECTION
2 SECTION N.T.S.



2 HANGER ATTACHMENT @ HOST WALL DETAIL
2 SECTION & ELEVATION N.T.S.

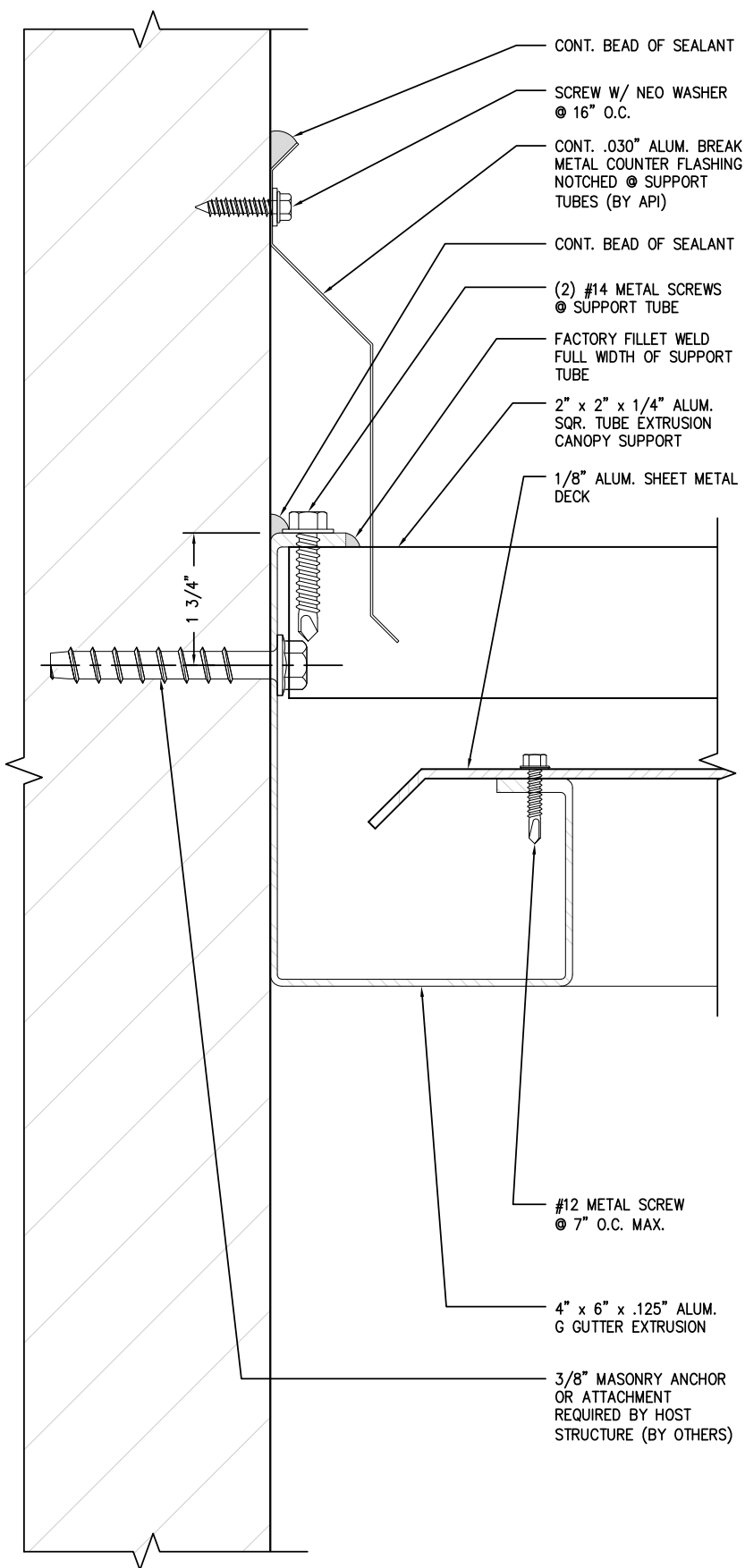
API Recommends that this note appear with storefront elevations and section view details in your blueprints.

Storefront and related materials provided by American Products, Inc. (API). No substitutions without written consent from store owner/Architect. API (813) 925-0144

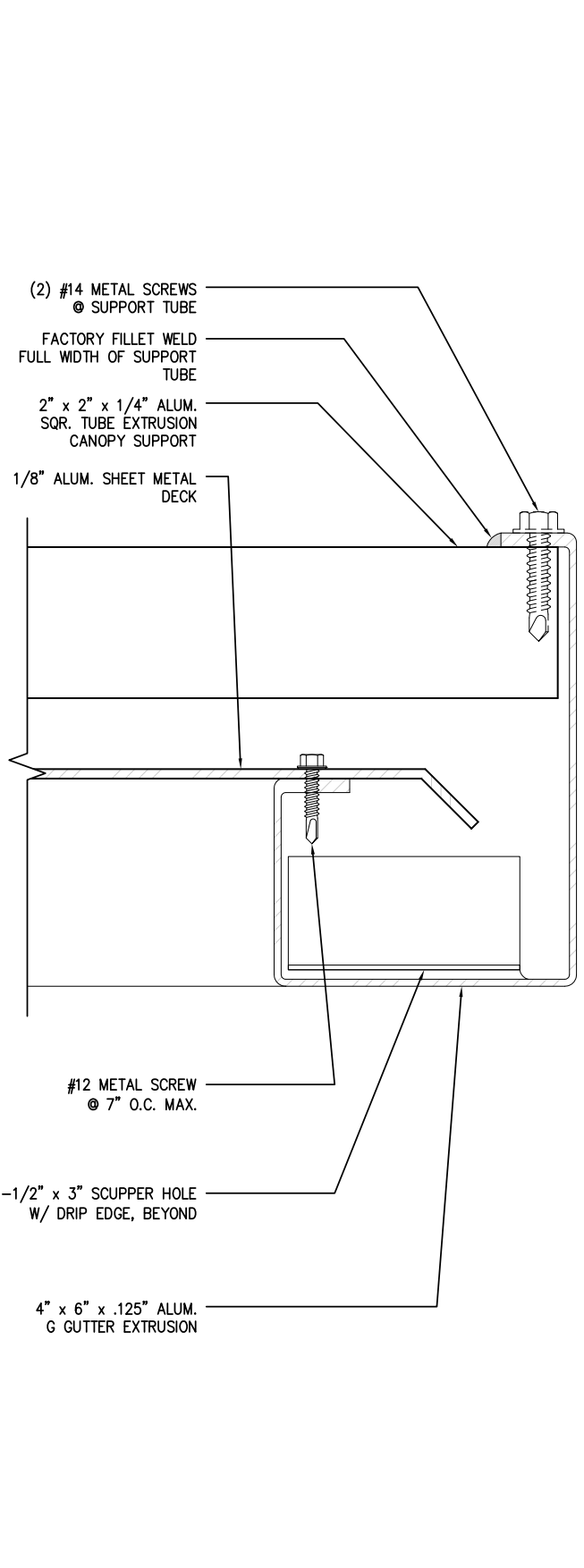
Customer: API IN-HOUSE	
Assembly: SUSPENDED CANOPY W/ FLAT DECK	
Drawn By: JD	Date: 08-03-15
Revision: ER	Date: 11-07-16
Scale: NTS	Sheet: 2



AMERICAN PRODUCTS, INC. (API)
12157 W. LINEBAUGH AVENUE #335
TAMPA, FL 33626
CONTACT: KERRI BEALS
PH (813) 925-0144
WWW.AMERICANPROD.COM



1 WALL ATTACHMENT @ GUTTER DETAIL
3 SECTION N.T.S.



2 GUTTER DETAIL
3 SECTION N.T.S.

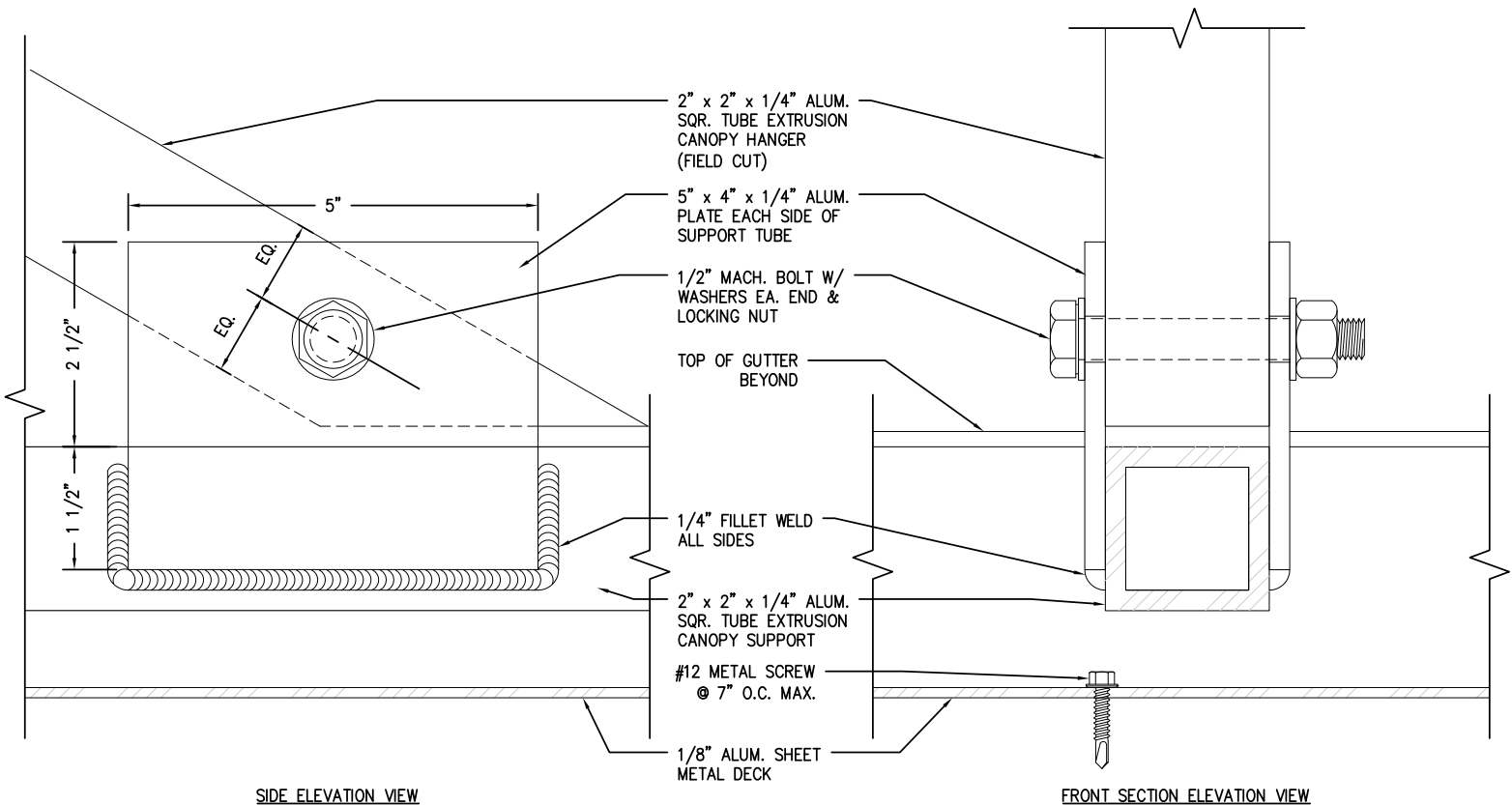
API Recommends that this note appear with storefront elevations and section view details in your blueprints.

Storefront and related materials provided by American Products, Inc. (API). No substitutions without written consent from store owner/Architect. API (813) 925-0144

Customer: API IN-HOUSE	
Assembly: SUSPENDED CANOPY W/ FLAT DECK	
Drawn By: JD	Date: 08-03-15
Revision: ER	Date: 11-07-16
Scale: NTS	Sheet: 3



AMERICAN PRODUCTS, INC. (API)
12157 W. LINEBAUGH AVENUE #335
TAMPA, FL 33626
CONTACT: KERRI BEALS
PH (813) 925-0144
WWW.AMERICANPROD.COM



SIDE ELEVATION VIEW

FRONT SECTION ELEVATION VIEW

1 HANGER ATTACHMENT @ CANOPY DETAIL
 4 ELEVATION & SECTION N.T.S.

NOT USED

NOT USED

API Recommends that this note appear with storefront elevations and section view details in your blueprints.

Storefront and related materials provided by American Products, Inc. (API). No substitutions without written consent from store owner/Architect. API (813) 925-0144

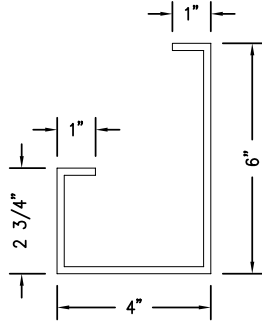
Customer: API IN-HOUSE	
Assembly: SUSPENDED CANOPY W/ FLAT DECK	
Drawn By: JD	Date: 08-03-15
Revision: ER	Date: 11-07-16
Scale: NTS	Sheet: 4



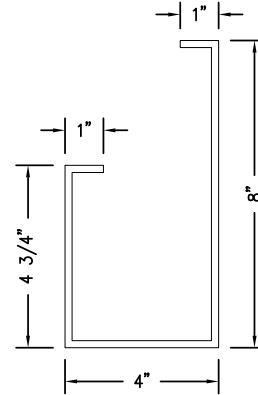
AMERICAN PRODUCTS, INC. (API)
 12157 W. LINEBAUGH AVENUE #335
 TAMPA, FL 33626
 CONTACT: KERRI BEALS
 PH (813) 925-0144
 WWW.AMERICANPROD.COM

STANDARD PARTS

4" x 6" x .125" ALUM G GUTTER EXTRUSION
PART #



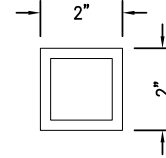
4" x 8" x .125" ALUM G GUTTER EXTRUSION
PART #



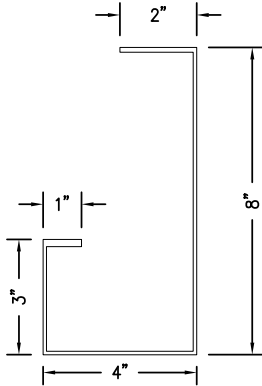
1/8" ALUM. SHEET METAL DECK
PART #



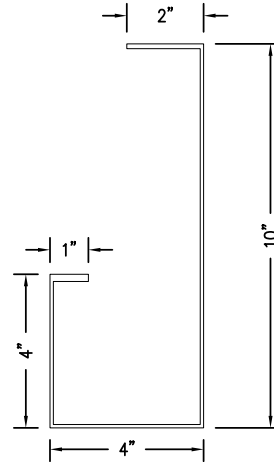
2" x 2" x .25" ALUM. SQR. TUBE EXTRUSION
PART #



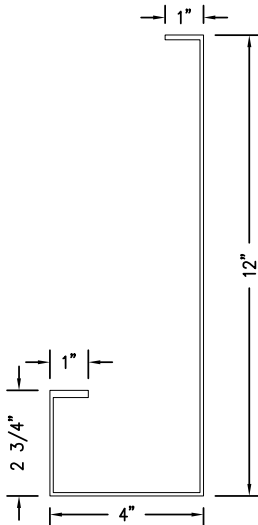
4" x 8" x .125" ALUM G GUTTER EXTRUSION



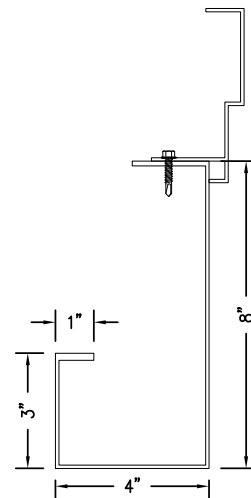
4" x 10" x .125" ALUM G GUTTER EXTRUSION



4" x 12" x .160" ALUM G GUTTER EXTRUSION



GUTTER / FASCIA EXTENDER x 24'



API Recommends that this note appear with storefront elevations and section view details in your blueprints.

Storefront and related materials provided by American Products, Inc. (API). No substitutions without written consent from store owner/Architect. API (813) 925-0144

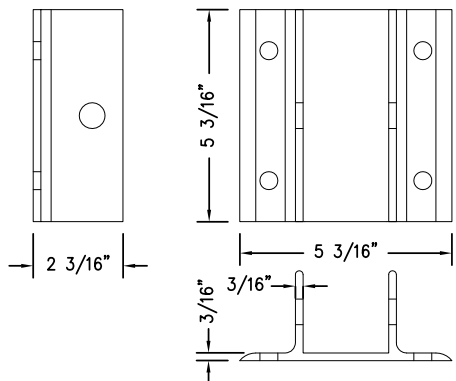
Customer: API IN-HOUSE	
Assembly: SUSPENDED CANOPY W/ FLAT DECK	
Drawn By: JD	Date: 08-03-15
Revision: ER	Date: 11-07-16
Scale: NTS	Sheet:P1



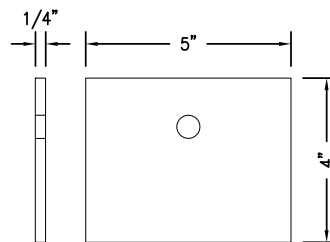
AMERICAN PRODUCTS, INC. (API)
12157 W. LINEBAUGH AVENUE #335
TAMPA, FL 33626
CONTACT: KERRI BEALS
PH (813) 925-0144
WWW.AMERICANPROD.COM

STANDARD PARTS

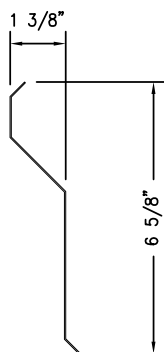
STANDARD WALL MOUNTING PLATE
PART #



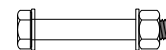
HANGER ATTACHMENT PLATE
PART #



FLASHING
PART #

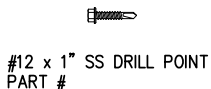


ATTACHMENT BOLTS
PART #



1/2" ϕ x 3-1/2" SS MACHINE BOLT
W/ (2) WASHERS & LOCKING NUT
PART #

METAL SCREWS
PART #

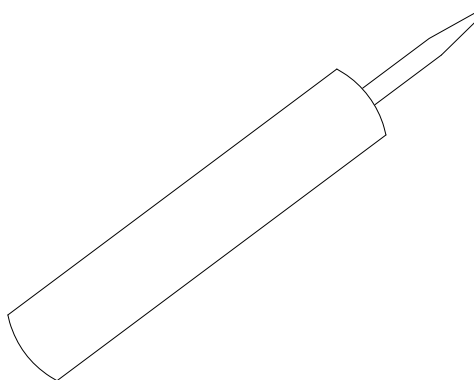


#12 x 1" SS DRILL POINT
PART #

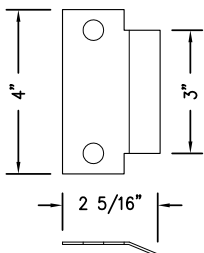


#14 x 1" SS DRILL POINT
PART #

SEALANT – 10.5 OZ TUBE
PART #



SCUPPER HOLE DRIP EDGE
PART #



NOT USED

API Recommends that this note appear with storefront elevations and section view details in your blueprints.

Storefront and related materials provided by American Products, Inc. (API). No substitutions without written consent from store owner/Architect. API (813) 925-0144

Customer: API IN-HOUSE	
Assembly: SUSPENDED CANOPY W/ FLAT DECK	
Drawn By: JD	Date: 08-03-15
Revision: ER	Date: 11-07-16
Scale: NTS	Sheet: OP1



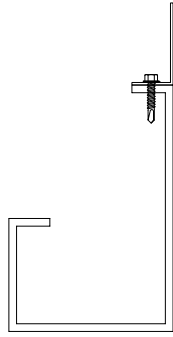
AMERICAN PRODUCTS, INC. (API)
12157 W. LINEBAUGH AVENUE #335
TAMPA, FL 33626
CONTACT: KERRI BEALS
PH (813) 925-0144
WWW.AMERICANPROD.COM

OPTIONAL PARTS

FASCIA EXTENSION ANGLE

AVAILABLE EXTRUSIONS

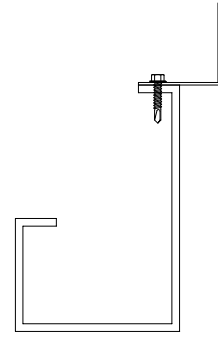
- 1" x 1" x 1/16" (PART #)
- 1" x 2" x 1/16" (PART #)
- 1" x 3" x 1/8" (PART #)
- 1-1/2" x 1-1/2" x 1/16" (PART #)
- 1-1/4" x 3-1/2" x 1/8" (PART#)
- 2" x 4" x 1/8" (PART #)
- 2" x 5" x 1/8" (PART #)



FASCIA EXTENSION ANGLE

AVAILABLE EXTRUSIONS

- 1" x 1-1/2" x 1/16" (PART #)
- 1-1/2" x 1-1/2" x 1/16" (PART #)
- 1" x 2" x 1/16" (PART #)
- 1" x 3" x 1/8" (PART #)
- 1-1/4" x 3-1/2" x 1/8" (PART#)
- 2" x 2" x 1/16" (PART #)
- 2" x 4" x 1/8" (PART #)
- 2" x 5" x 1/8" (PART #)
- 3" x 3" x 1/8" (PART #)



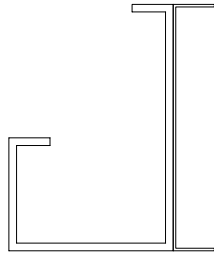
FASCIA EXTENSION CHANNEL

AVAILABLE EXTRUSIONS

- 2-1/2" x 6" x .290"/.170" (PART #)

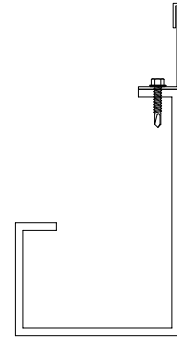
AVAILABLE BREAK METAL

- 1-1/2" x 6" x 1/16" (PART #)
- 1-1/2" x 8" x 1/16" (PART #)



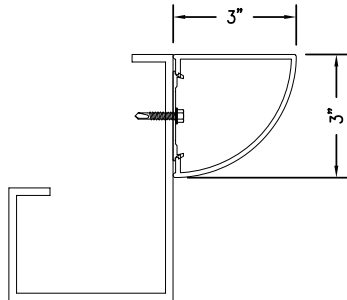
FASCIA CLADDING

AVAILABLE IN MANY FINISHES AND COLORS



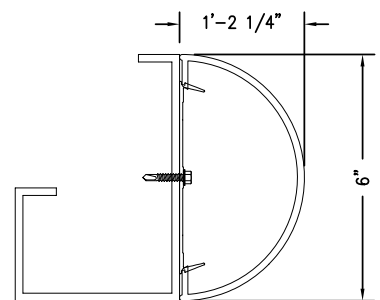
FASCIA TRIM PACKAGE F1

3" METAL QUARTER ROUND PART #



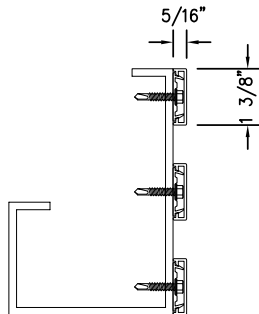
FASCIA TRIM PACKAGE F2

METAL HALF ROUND PART #



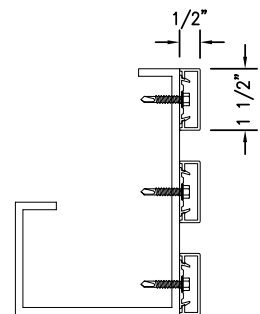
FASCIA TRIM PACKAGE F3

(3) METAL STRIPS PART #



FASCIA TRIM PACKAGE F4

(3) METAL STRIPS PART #



API recommends that this note appear with storefront elevations and section view details in your blueprints.

Storefront and related materials provided by American Products, Inc. (API). No substitutions without written consent from store owner/Architect. API (813) 925-0144

Customer: API IN-HOUSE

Assembly: SUSPENDED CANOPY W/ FLAT DECK

Drawn By: JD

Date: 08-03-15

Revision: ER

Date: 11-07-16

Scale: NTS

Sheet: OP1

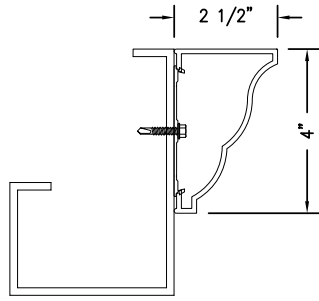


AMERICAN PRODUCTS, INC. (API)
12157 W. LINEBAUGH AVENUE #335
TAMPA, FL 33626
CONTACT: KERRI BEALS
PH (813) 925-0144
WWW.AMERIANPROD.COM

OPTIONAL PARTS

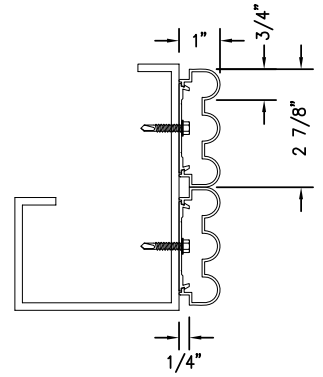
FASCIA TRIM PACKAGE F5

4" METAL CORNICE PART #



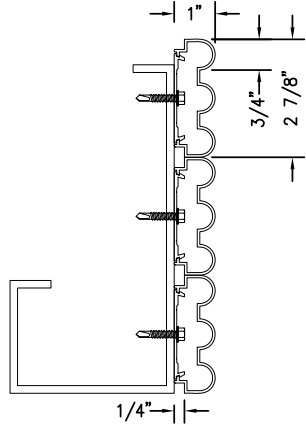
FASCIA TRIM PACKAGE F6

(2) METAL BEADED STRIPS PART #



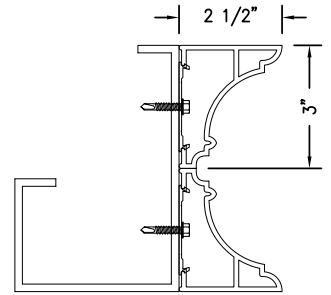
FASCIA TRIM PACKAGE F7

(3) METAL BEADED STRIPS PART #



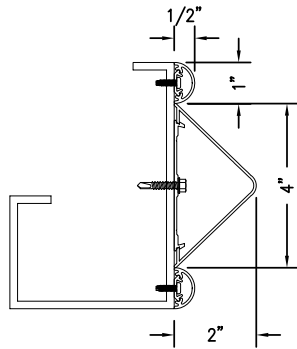
FASCIA TRIM PACKAGE F8

(2) 3" METAL CORNICE PIECES PART #



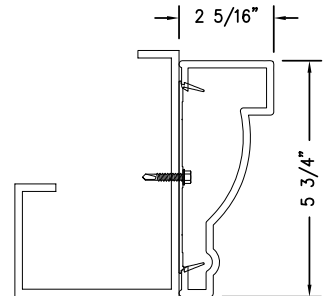
FASCIA TRIM PACKAGE F9

4" METAL TRIANGLE W/
(2) 1" METAL HALF ROUNDS PART #

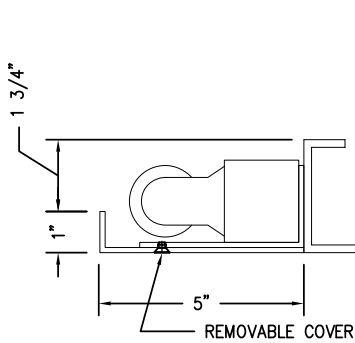


FASCIA TRIM PACKAGE F10

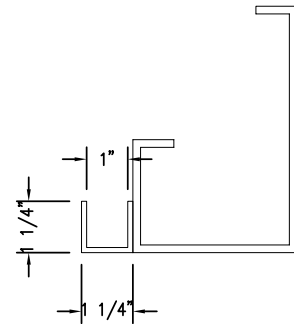
5-3/4" METAL CORNICE PART #



LIGHT VALANCE LV1 (1-4 SIDES) PART #



LIGHT VALANCE LV2 (1-4 SIDES) PART #



API Recommends that this note appear with storefront elevations and section view details in your blueprints.

Storefront and related materials provided by American Products, Inc. (API). No substitutions without written consent from store owner/Architect. API (813) 925-0144

Customer: API IN-HOUSE	
Assembly: SUSPENDED CANOPY W/ FLAT DECK	
Drawn By: JD	Date: 08-03-15
Revision: ER	Date: 11-07-16
Scale: NTS	Sheet: OP2



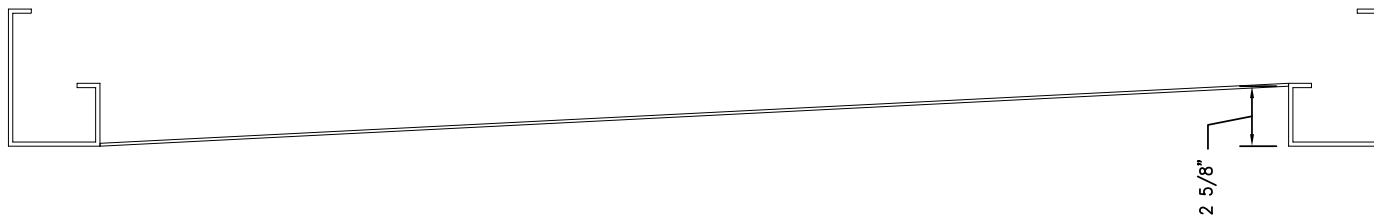
AMERICAN PRODUCTS, INC. (API)
12157 W. LINEBAUGH AVENUE #335
TAMPA, FL 33626
CONTACT: KERRI BEALS
PH (813) 925-0144
WWW.AMERICANPROD.COM

OPTIONAL PARTS

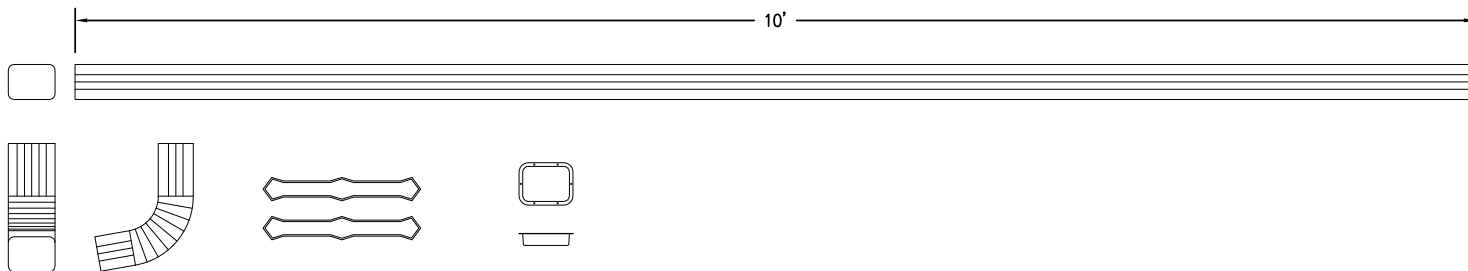
METAL BOTTOM DECK PART #



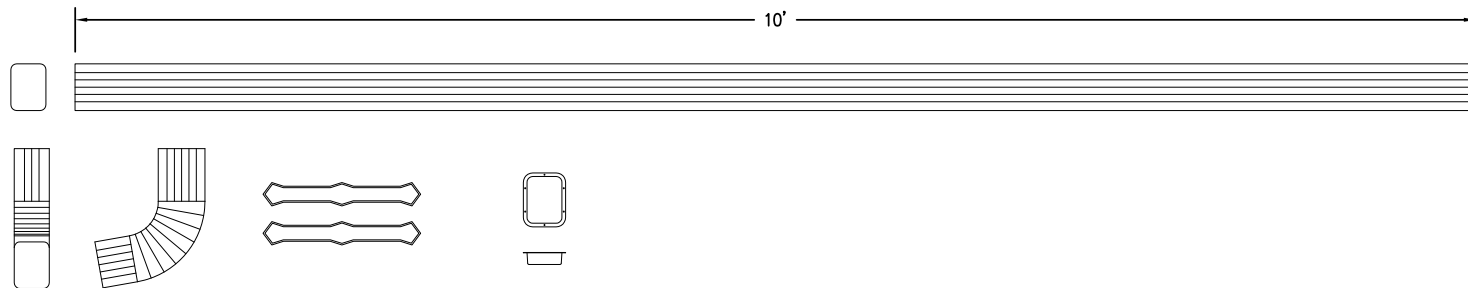
SLOPED METAL BOTTOM DECK (FOR USE W/ LIGHTING VALANCE OPTION) PART #



METAL DOWNSPOUT KIT TYPE A - (1) 3" x 4" LEADER, (1) GUTTER OUTLET, (1) ELBOW, (2) STRAPS PART #



METAL DOWNSPOUT KIT TYPE B - (1) 3" x 4" LEADER, (1) GUTTER OUTLET, (1) ELBOW, (2) STRAPS PART #



API Recommends that this note appear with storefront elevations and section view details in your blueprints.
 Storefront and related materials provided by American Products, Inc. (API). No substitutions without written consent from store owner/Architect. API (813) 925-0144

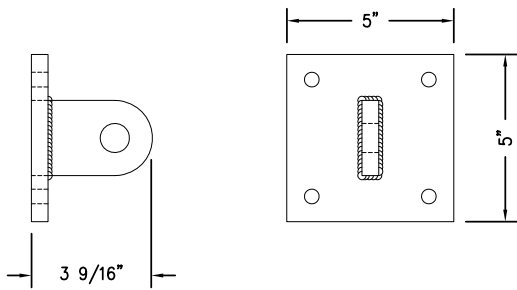
Customer: API IN-HOUSE	
Assembly: SUSPENDED CANOPY W/ FLAT DECK	
Drawn By: JD	Date: 08-03-15
Revision: ER	Date: 11-07-16
Scale: NTS	Sheet: OP3



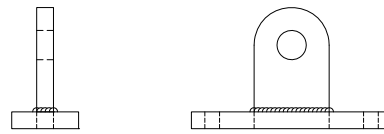
AMERICAN PRODUCTS, INC. (API)
 12157 W. LINEBAUGH AVENUE #335
 TAMPA, FL 33626
 CONTACT: KERRI BEALS
 PH (813) 925-0144
 WWW.AMERICANPROD.COM

OPTIONAL PARTS

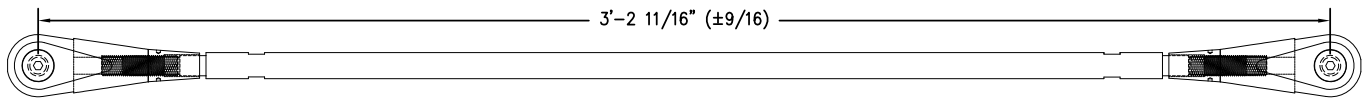
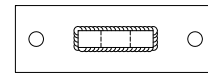
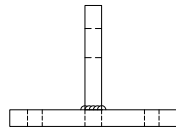
ADJUSTABLE TIE-BACK ROD KIT - (2) TIE RODS, (2) WALL PLATES & (2) CANOPY PLATES (PART #)



WALL PLATE

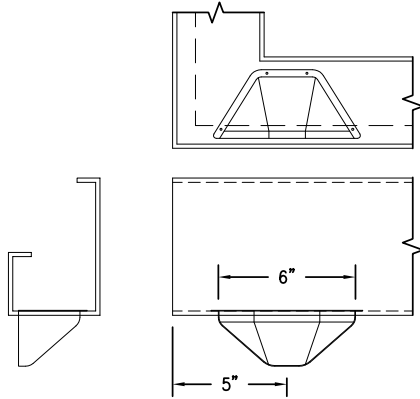


CANOPY PLATE

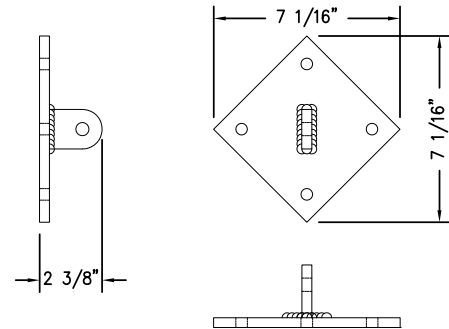


ADJUSTABLE TIE ROD

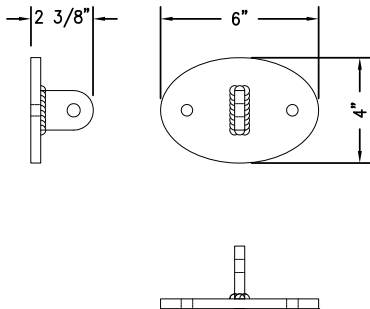
GUTTER SCUPPER PART #



DIAMOND WALL PLATE (PART #)
(FOR USE W/ ADJUSTABLE TIE ROD KIT)



OVAL WALL PLATE (PART #)
(FOR USE W/ ADJUSTABLE TIE ROD KIT)



NOT USED

API Recommends that this note appear with storefront elevations and section view details in your blueprints.
Storefront and related materials provided by American Products, Inc. (API). No substitutions without written consent from store owner/Architect. API (813) 925-0144

Customer: API IN-HOUSE	
Assembly: SUSPENDED CANOPY W/ FLAT DECK	
Drawn By: JD	Date: 08-03-15
Revision: ER	Date: 11-07-16
Scale: NTS	Sheet: OP4



AMERICAN PRODUCTS, INC. (API)
12157 W. LINEBAUGH AVENUE #335
TAMPA, FL 33626
CONTACT: KERRI BEALS
PH (813) 925-0144
WWW.AMERICANPROD.COM