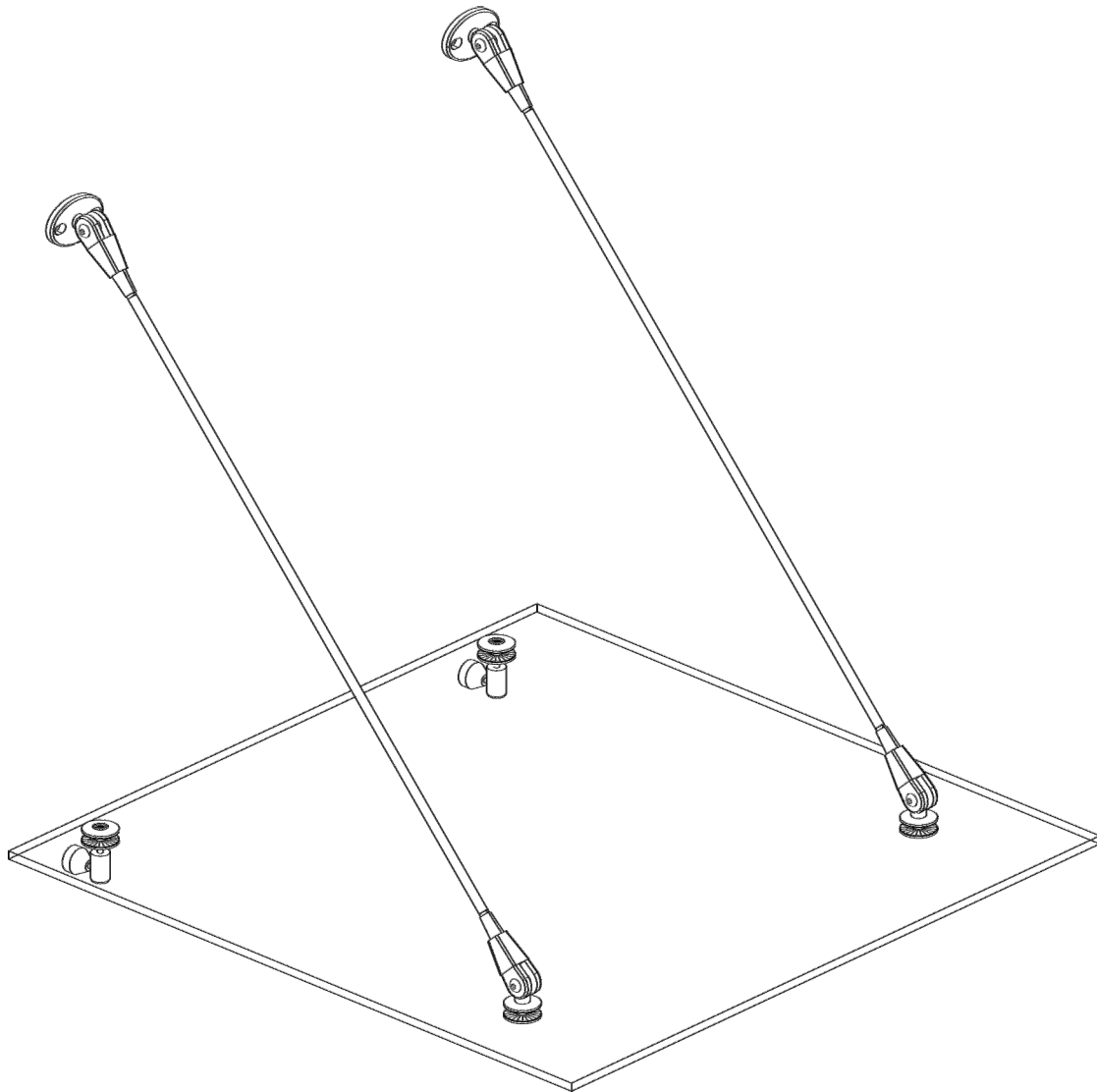


# TIE-BACK GLASS CANOPY

BY

AMERICAN PRODUCTS INCORPORATED (API)



API Recommends that this note appear with storefront elevations and section view details in your blueprints.

Storefront and related materials provided by American Products, Inc. (API). No substitutions without written consent from store owner/Architect. API (813) 925-0144

Customer: API IN-HOUSE

Assembly: TIE-BACK GLASS CANOPY

Drawn By: JD

Date: 08/28/15

Revision: JD

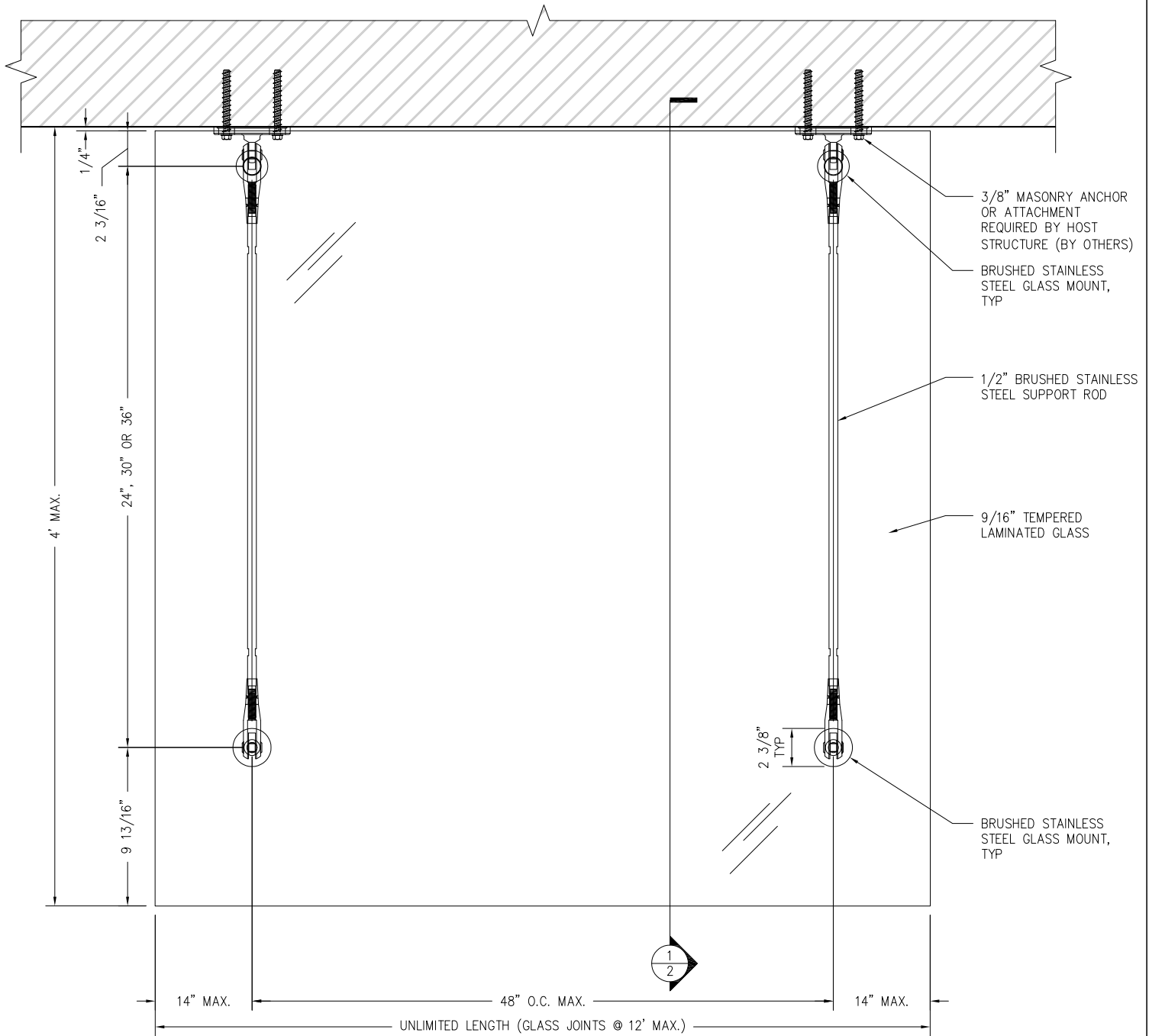
Date:

Scale: NTS

Sheet: COVER



AMERICAN PRODUCTS, INC. (API)  
12157 W. LINEBAUGH AVENUE #335  
TAMPA, FL 33626  
CONTACT: KERRI BEALS  
PH (813) 925-0144  
WWW.AMERICANPROD.COM



NOTES:

- DESIGN LOADING CONDITIONS ARE:  
 CONCENTRATED LOAD = 50 LBS ANY DIRECTION, ANY LOCATION  
 UNIFORM LOAD = 25 PSF VERTICAL, LIVE, WIND OR SNOW LOAD
- ALL METAL PARTS ARE 316 ALLOY STAINLESS STEEL

1  
1 TYPICAL CANOPY PLAN N.T.S.

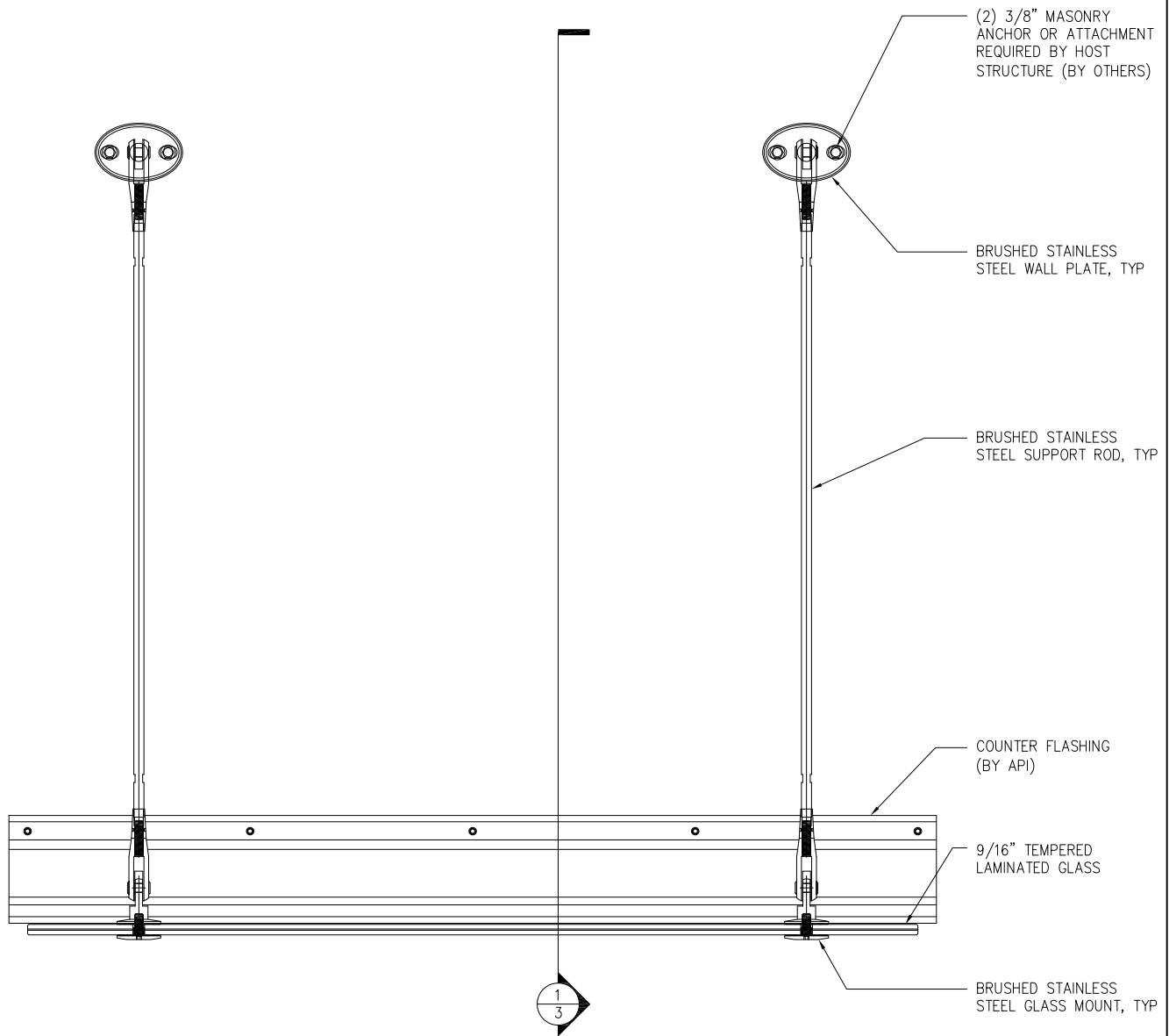
API Recommends that this note appear with storefront elevations and section view details in your blueprints.

Storefront and related materials provided by American Products, Inc. (API). No substitutions without written consent from store owner/Architect. API (813) 925-0144

Customer: API IN-HOUSE	
Assembly: TIE-BACK GLASS CANOPY	
Drawn By: JD	Date: 08/28/15
Revision: JD	Date:
Scale: NTS	Sheet:1



AMERICAN PRODUCTS, INC. (API)  
 12157 W. LINEBAUGH AVENUE #335  
 TAMPA, FL 33626  
 CONTACT: KERRI BEALS  
 PH (813) 925-0144  
 WWW.AMERICANPROD.COM



1  
2 TYPICAL FRONT ELEVATION  
ELEVATION N.T.S.

API Recommends that this note appear with storefront elevations and section view details in your blueprints.

Storefront and related materials provided by American Products, Inc. (API). No substitutions without written consent from store owner/Architect. API (813) 925-0144

Customer: API IN-HOUSE

Assembly: TIE-BACK GLASS CANOPY

Drawn By: JD

Date: 08/28/15

Revision: JD

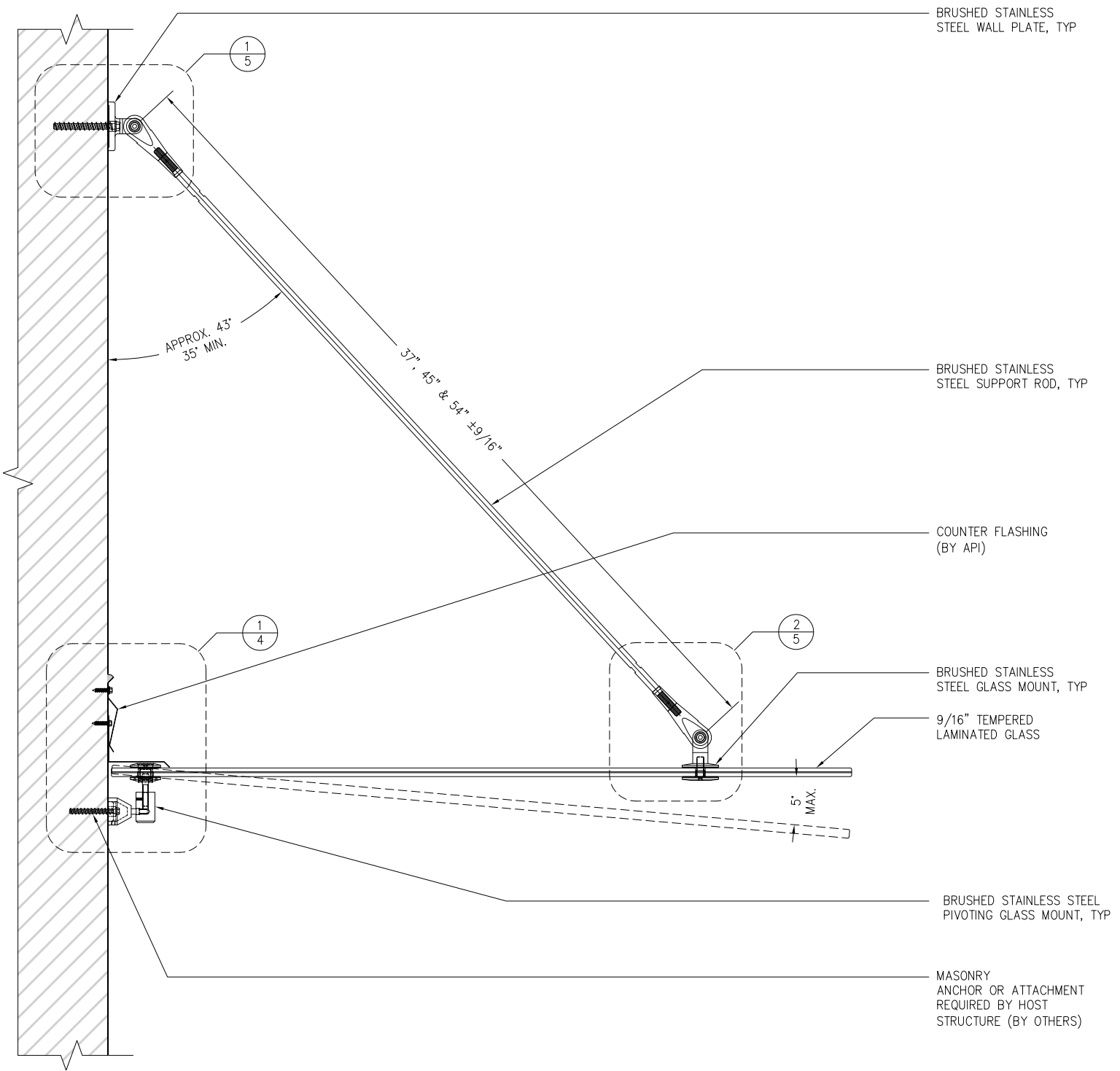
Date:

Scale: NTS

Sheet: 2



AMERICAN PRODUCTS, INC. (API)  
12157 W. LINEBAUGH AVENUE #335  
TAMPA, FL 33626  
CONTACT: KERRI BEALS  
PH (813) 925-0144  
WWW.AMERIANPROD.COM



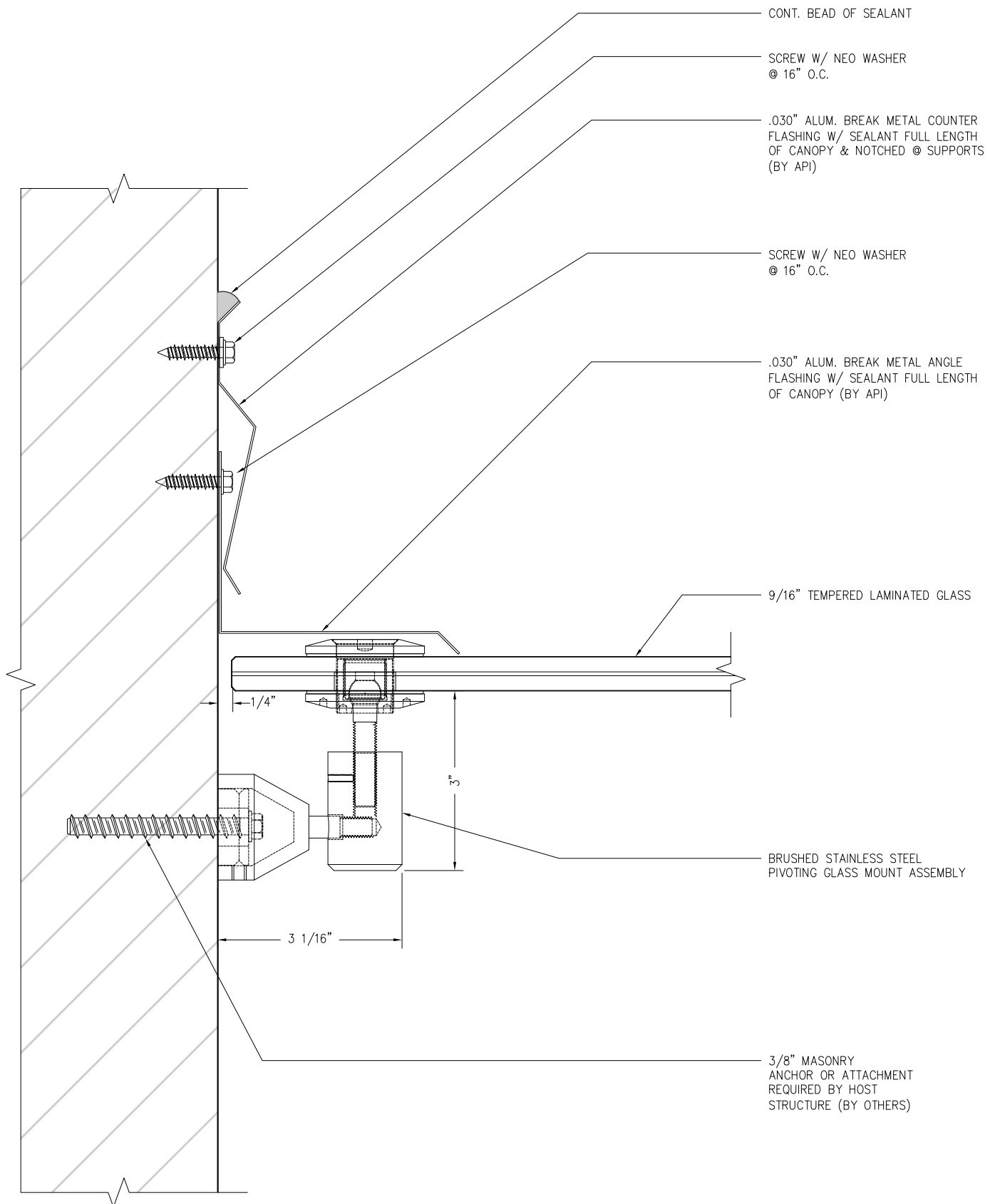
API Recommends that this note appear with storefront elevations and section view details in your blueprints.

Storefront and related materials provided by American Products, Inc. (API). No substitutions without written consent from store owner/Architect. API (813) 925-0144

Customer: API IN-HOUSE	
Assembly: TIE-BACK GLASS CANOPY	
Drawn By: JD	Date: 08/28/15
Revision: JD	Date:
Scale: NTS	Sheet: 3



AMERICAN PRODUCTS, INC. (API)  
12157 W. LINEBAUGH AVENUE #335  
TAMPA, FL 33626  
CONTACT: KERRI BEALS  
PH (813) 925-0144  
WWW.AMERIANPROD.COM



CONT. BEAD OF SEALANT

SCREW W/ NEO WASHER @ 16" O.C.

.030" ALUM. BREAK METAL COUNTER FLASHING W/ SEALANT FULL LENGTH OF CANOPY & NOTCHED @ SUPPORTS (BY API)

SCREW W/ NEO WASHER @ 16" O.C.

.030" ALUM. BREAK METAL ANGLE FLASHING W/ SEALANT FULL LENGTH OF CANOPY (BY API)

9/16" TEMPERED LAMINATED GLASS

BRUSHED STAINLESS STEEL PIVOTING GLASS MOUNT ASSEMBLY

3/8" MASONRY ANCHOR OR ATTACHMENT REQUIRED BY HOST STRUCTURE (BY OTHERS)

1 WALL ATTACHMENT DETAIL  
4 SECTION N.T.S.

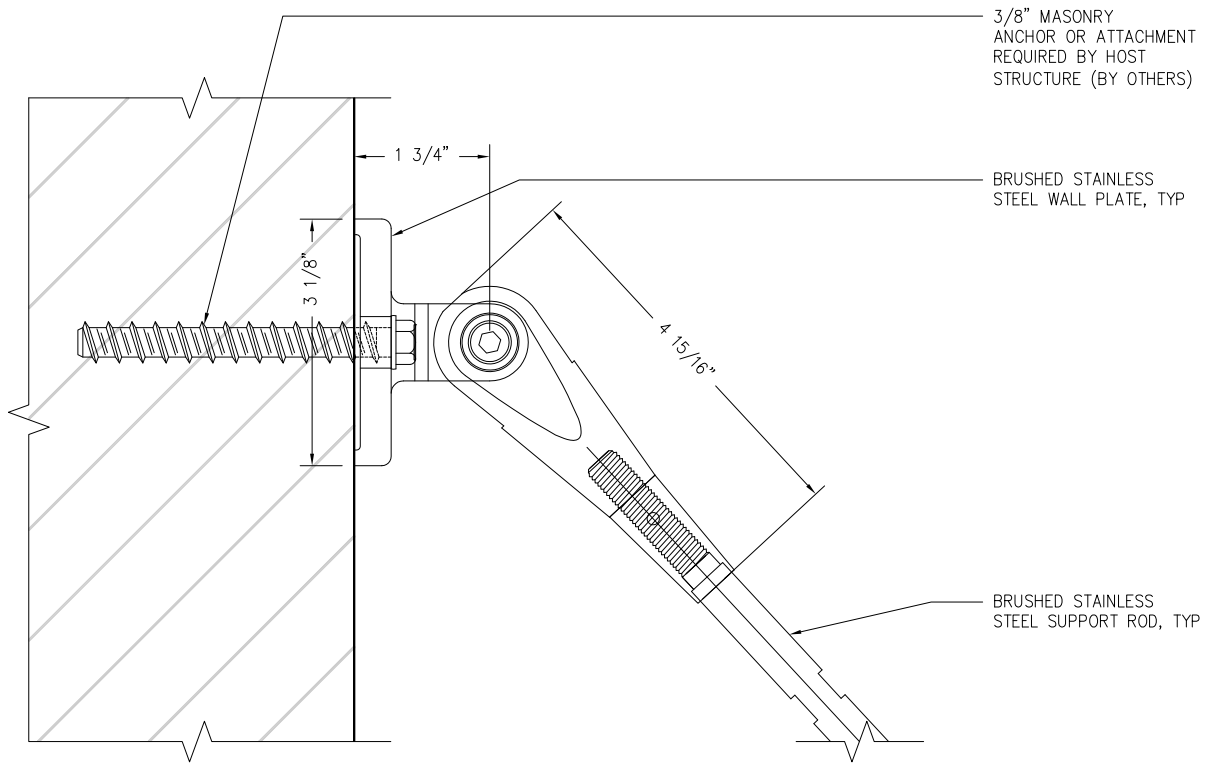
API Recommends that this note appear with storefront elevations and section view details in your blueprints.

Storefront and related materials provided by American Products, Inc. (API). No substitutions without written consent from store owner/ Architect. API (813) 925-0144

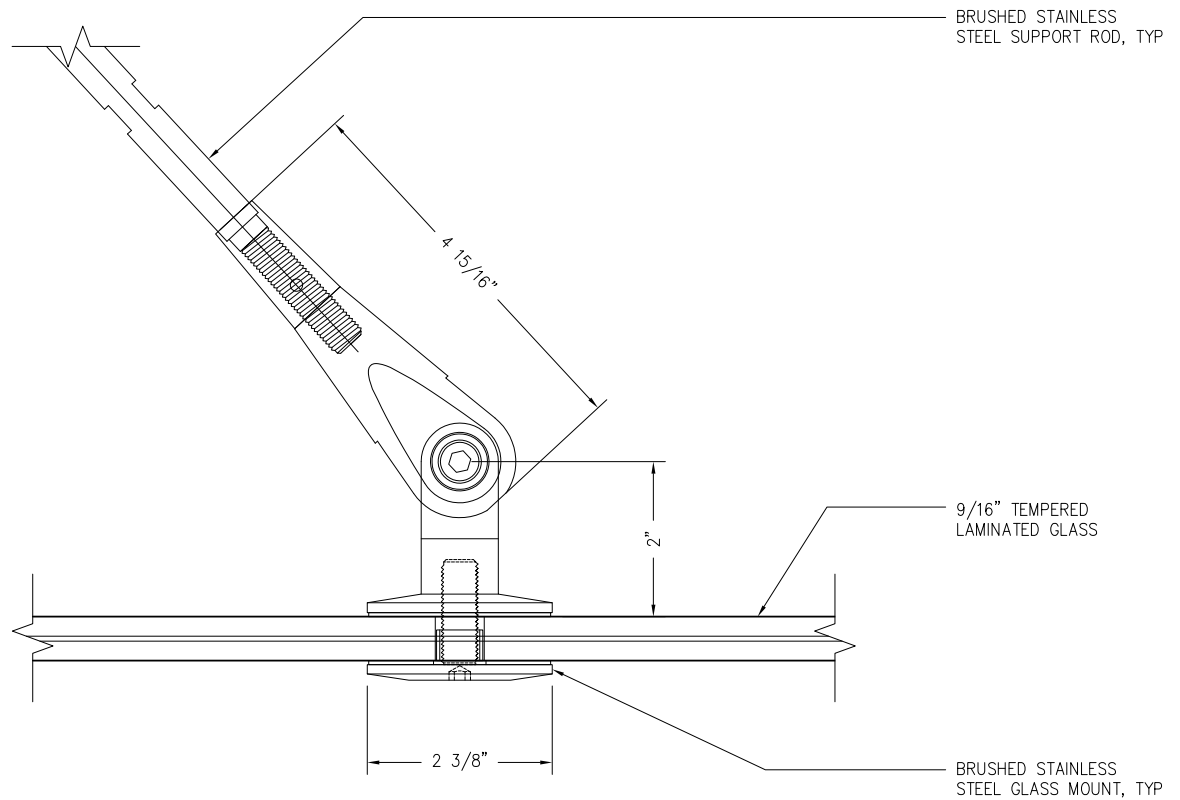
Customer: API IN-HOUSE	
Assembly: TIE-BACK GLASS CANOPY	
Drawn By: JD	Date: 08/28/15
Revision: JD	Date:
Scale: NTS	Sheet: 4



AMERICAN PRODUCTS, INC. (API)  
12157 W. LINEBAUGH AVENUE #335  
TAMPA, FL 33626  
CONTACT: KERRI BEALS  
PH (813) 925-0144  
WWW.AMERICANPROD.COM



1 WALL ATTACHMENT DETAIL  
5 SECTION N.T.S.



2 GLASS ATTACHEMNT DETAIL  
5 SECTION N.T.S.

API Recommends that this note appear with storefront elevations and section view details in your blueprints.

Storefront and related materials provided by American Products, Inc. (API). No substitutions without written consent from store owner/Architect. API (813) 925-0144

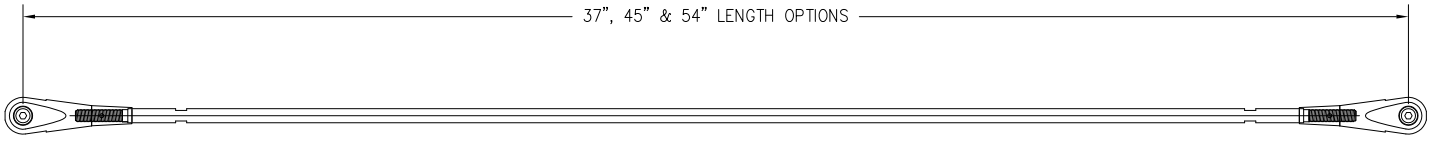
Customer: API IN-HOUSE	
Assembly: TIE-BACK GLASS CANOPY	
Drawn By: JD	Date: 08/28/15
Revision: JD	Date:
Scale: NTS	Sheet: 5



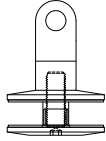
AMERICAN PRODUCTS, INC. (API)  
12157 W. LINEBAUGH AVENUE #335  
TAMPA, FL 33626  
CONTACT: KERRI BEALS  
PH (813) 925-0144  
WWW.AMERICANPROD.COM

# STANDARD PARTS

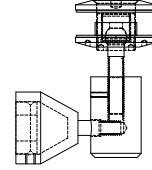
STAINLESS STEEL BRACKET  
 37" - PART #, 45" - PART #, 54" - PART #



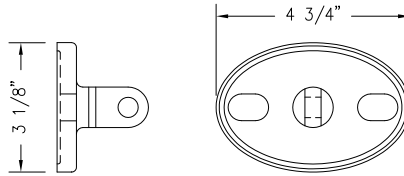
STAINLESS STEEL GLASS MOUNT  
 PART #



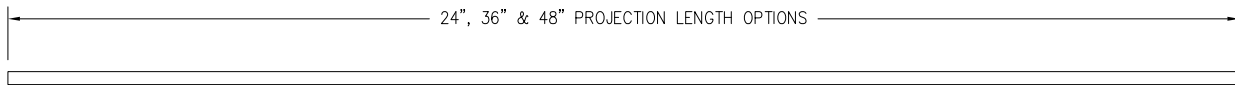
STAINLESS STEEL PIVOTING GLASS MOUNT  
 PART #



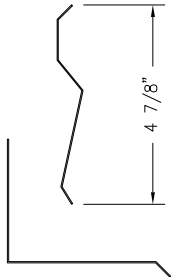
BRUSHED STAINLESS STEEL OVAL WALL PLATE  
 PART #



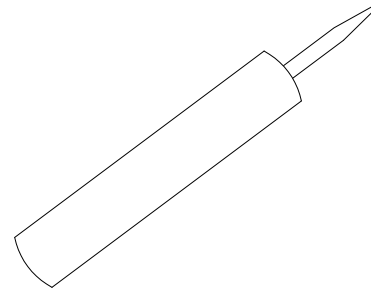
9/16" TEMPERED LAMINATED GLASS  
 24" - PART #, 36" - PART #, 48" - PART #



(2) PART .030" METAL FLASHING  
 PART #



SEALANT 10.5 oz TUBE  
 PART #



API Recommends that this note appear with storefront elevations and section view details in your blueprints.

---

Storefront and related materials provided by American Products, Inc. (API). No substitutions without written consent from store owner/Architect. API (813) 925-0144

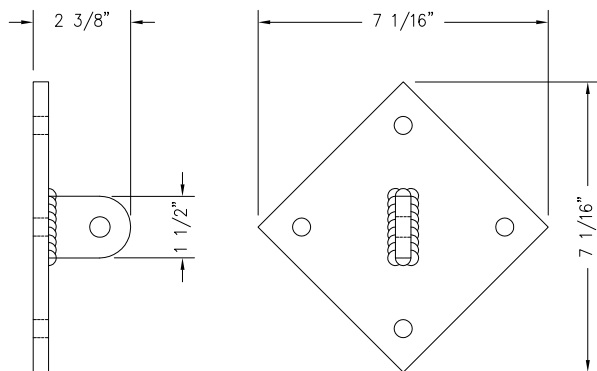
Customer: API IN-HOUSE	
Assembly: TIE-BACK GLASS CANOPY	
Drawn By: JD	Date: 08/28/15
Revision: JD	Date:
Scale: NTS	Sheet: SP1



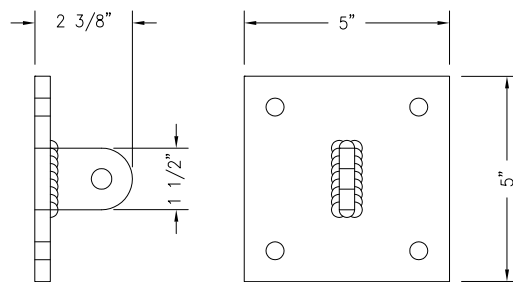
AMERICAN PRODUCTS, INC. (API)  
 12157 W. LINEBAUGH AVENUE #335  
 TAMPA, FL 33626  
 CONTACT: KERRI BEALS  
 PH (813) 925-0144  
 WWW.AMERICANPROD.COM

# OPTIONAL PARTS

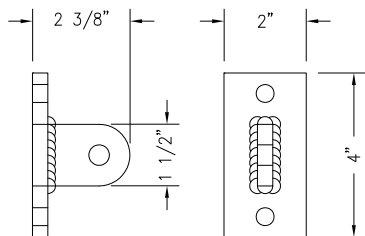
BRUSHED STAINLESS STEEL DIAMOND WALL PLATE  
PART #



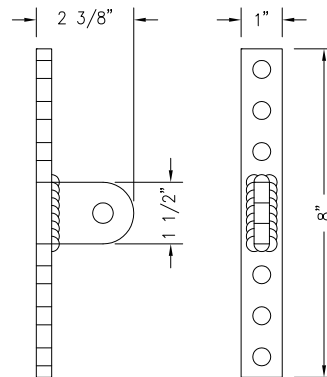
BRUSHED STAINLESS STEEL SQUARE WALL PLATE  
PART #



BRUSHED STAINLESS STEEL STOREFRONT WALL PLATE  
PART #



BRUSHED STAINLESS STEEL CURTAINWALL WALL PLATE  
PART #



API Recommends that this note appear with storefront elevations and section view details in your blueprints.

Storefront and related materials provided by American Products, Inc. (API). No substitutions without written consent from store owner/Architect. API (813) 925-0144

Customer: API IN-HOUSE

Assembly: TIE-BACK GLASS CANOPY

Drawn By: JD

Date: 08/28/15

Revision: JD

Date:

Scale: NTS

Sheet: OP1



AMERICAN PRODUCTS, INC. (API)  
12157 W. LINEBAUGH AVENUE #335  
TAMPA, FL 33626  
CONTACT: KERRI BEALS  
PH (813) 925-0144  
WWW.AMERICANPROD.COM