

INSTALLATION INSTRUCTIONS

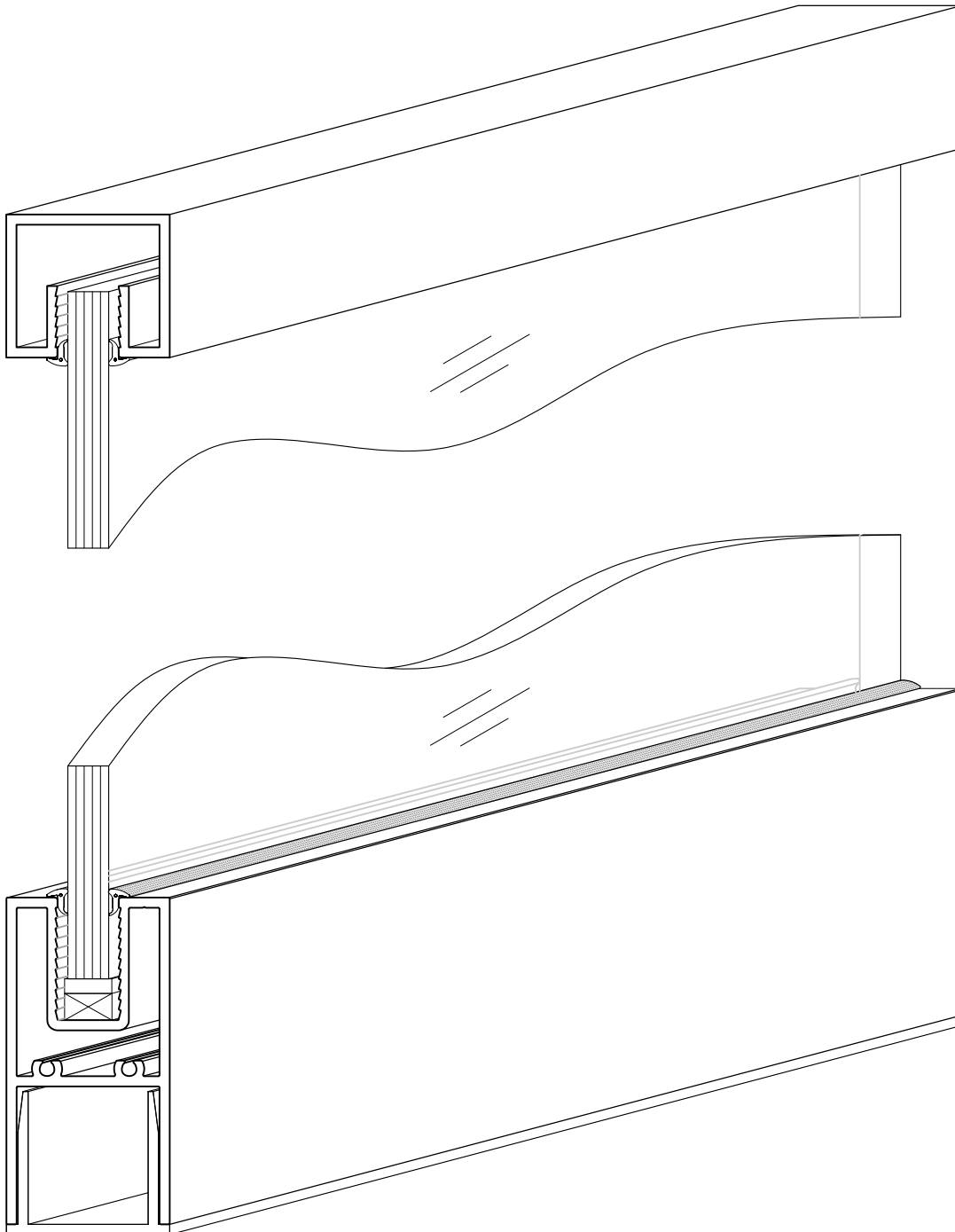




TABLE OF CONTENTS

PARTS LIST

Extrusions for 1/2" Glazing. Page 1
 Extrusions for 3/4" Glazing. Page 2
 Gaskets, Channels, + End Caps. Page 3

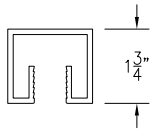
GLASWAL INSTALLATION

Instructions for API GlasWal Installation. Page 4 - 8
 Instructions for Stacked Base Utilizing API Intermediate Anchor Page 9 - 11

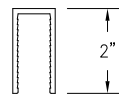
NOTE:
 DRAWINGS NOT SHOWN TO SCALE
 UNLESS OTHERWISE NOTED.

PARTS LIST

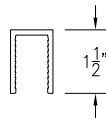
EXTRUSIONS FOR 1/2" GLASS



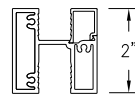
G10075
 1-3/4" x 2" HEADER



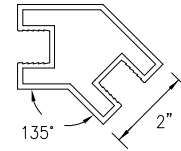
G10012
 1"x2" HEADER



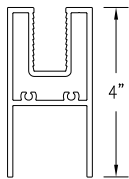
G10015
 1"x1-1/2" HEADER



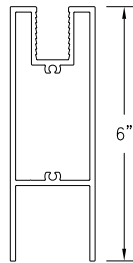
G10076S/G10076
 2" H-CHANNEL
 WITH STOP



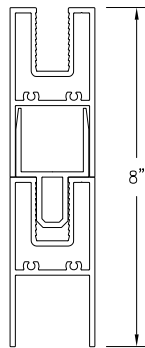
G10135
 135° CHANNEL



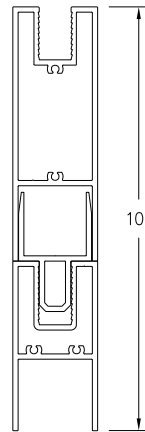
G10024
 4" BASE



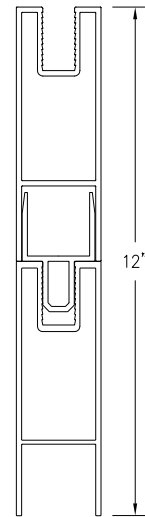
G10026
 6" BASE



G10028
 8" BASE



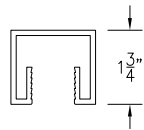
G100210
 10" BASE



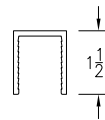
G100212
 12" BASE

PARTS LIST

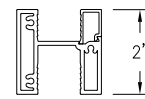
EXTRUSIONS FOR 3/4" GLASS



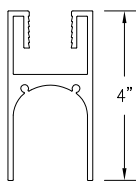
G13475
 1-3/4"x2" HEADER



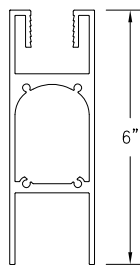
G13415
 1-1/4"x1-1/2" HEADER



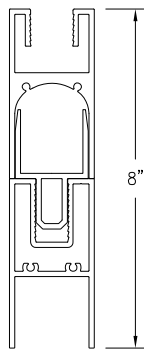
G13476S/G13476
 2" H-CHANNEL
 WITH STOP



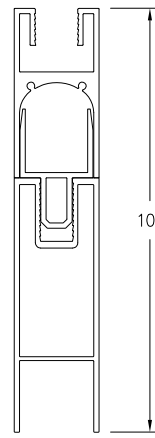
G13424
 4" BASE



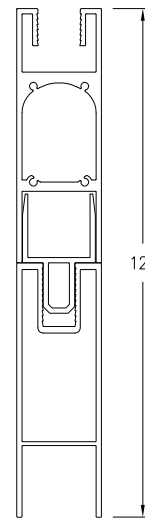
G13426
 6" BASE



G13428
 8" BASE



G134210
 10" BASE



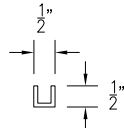
G134212
 12" BASE

PARTS LIST

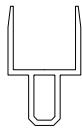
GASKETS, ANCHORS, CHANNELS + END CAPS



G30050
 VINYL



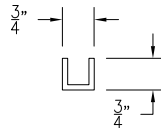
G10055
 1/2" X 1/2"
 REVEAL



G10023
 INTERMEDIATE ANCHOR



G30025
 VINYL



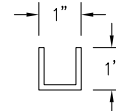
G10034
 3/4" X 3/4"
 REVEAL



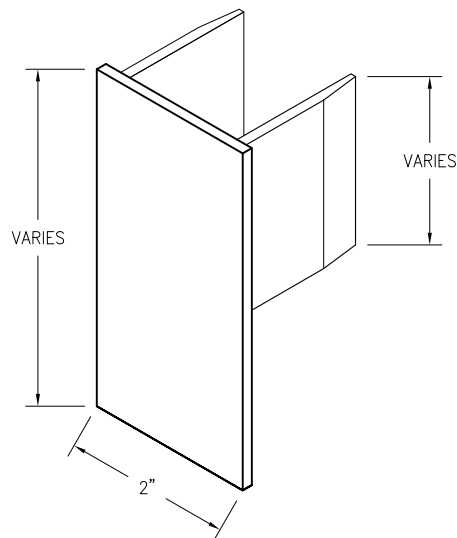
G10022
 ANCHOR



G30038
 VINYL



G10011
 1" X 1"
 REVEAL

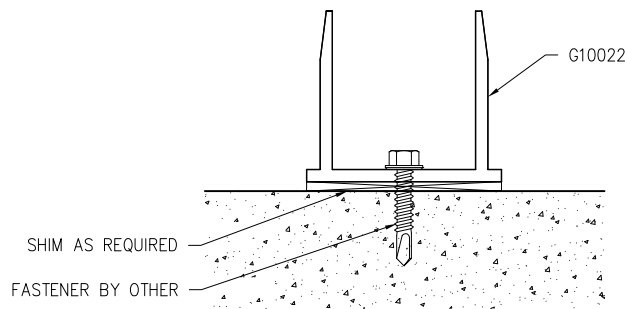


TYPICAL SILL END CAP

STEP 1:

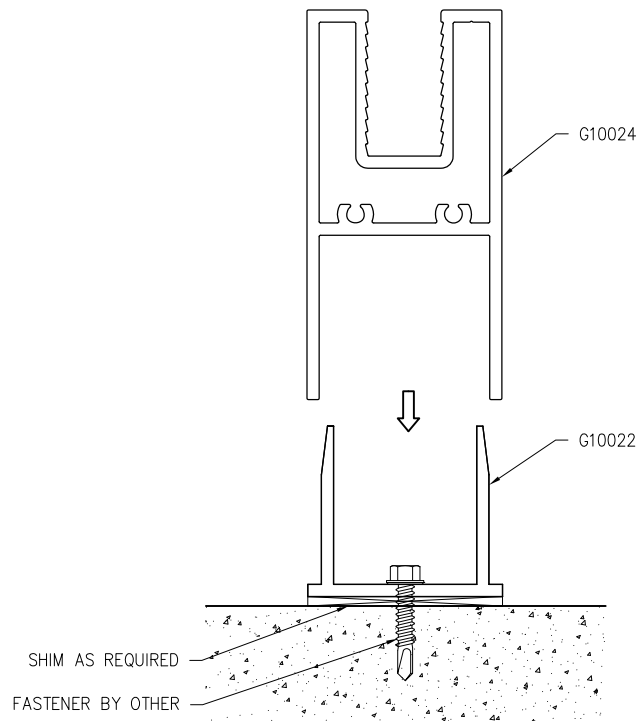
- Determine placement of the GlasWal system and mark a chalk line on the floor.
- Fasten the sill anchor (G10022) to the sill condition using customer supplied screws applicable to field conditions (spacing per local codes). Shim as required for level. (see DETAIL 1)

DETAIL 1



- Place channel (G10024) over the sill anchor. (see DETAIL 2)

DETAIL 2

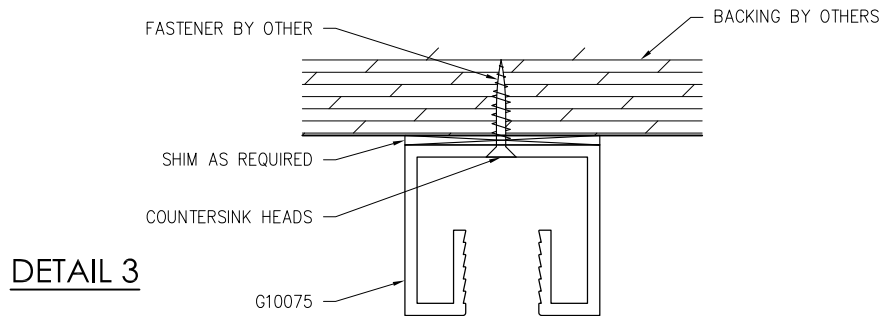


NOTE:

It is not required to fasten the channel to the anchor.

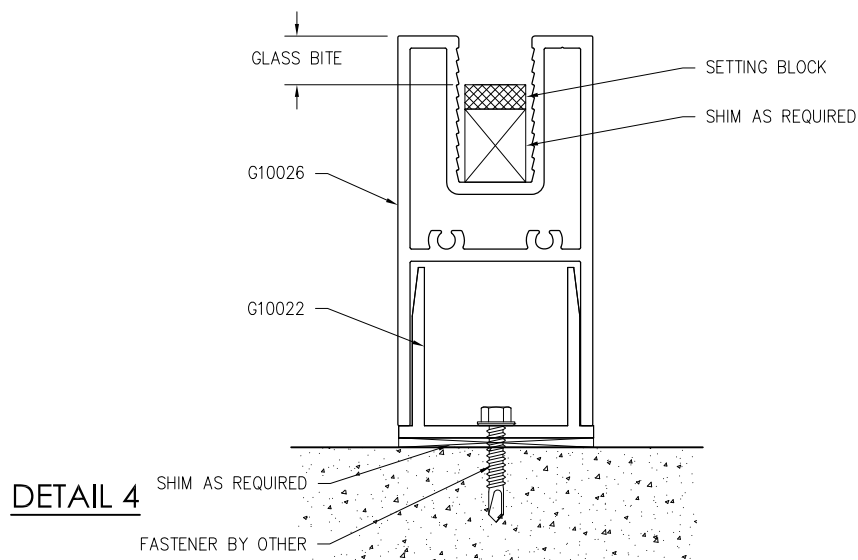
STEP 2:

- Plumb up from sill to locate header position and fasten the header channel (G10075) using customer supplied screws applicable to field conditions into blocking, by others (spacing per local codes). Shim as required for level. Countersink screw heads. (see DETAIL 3)



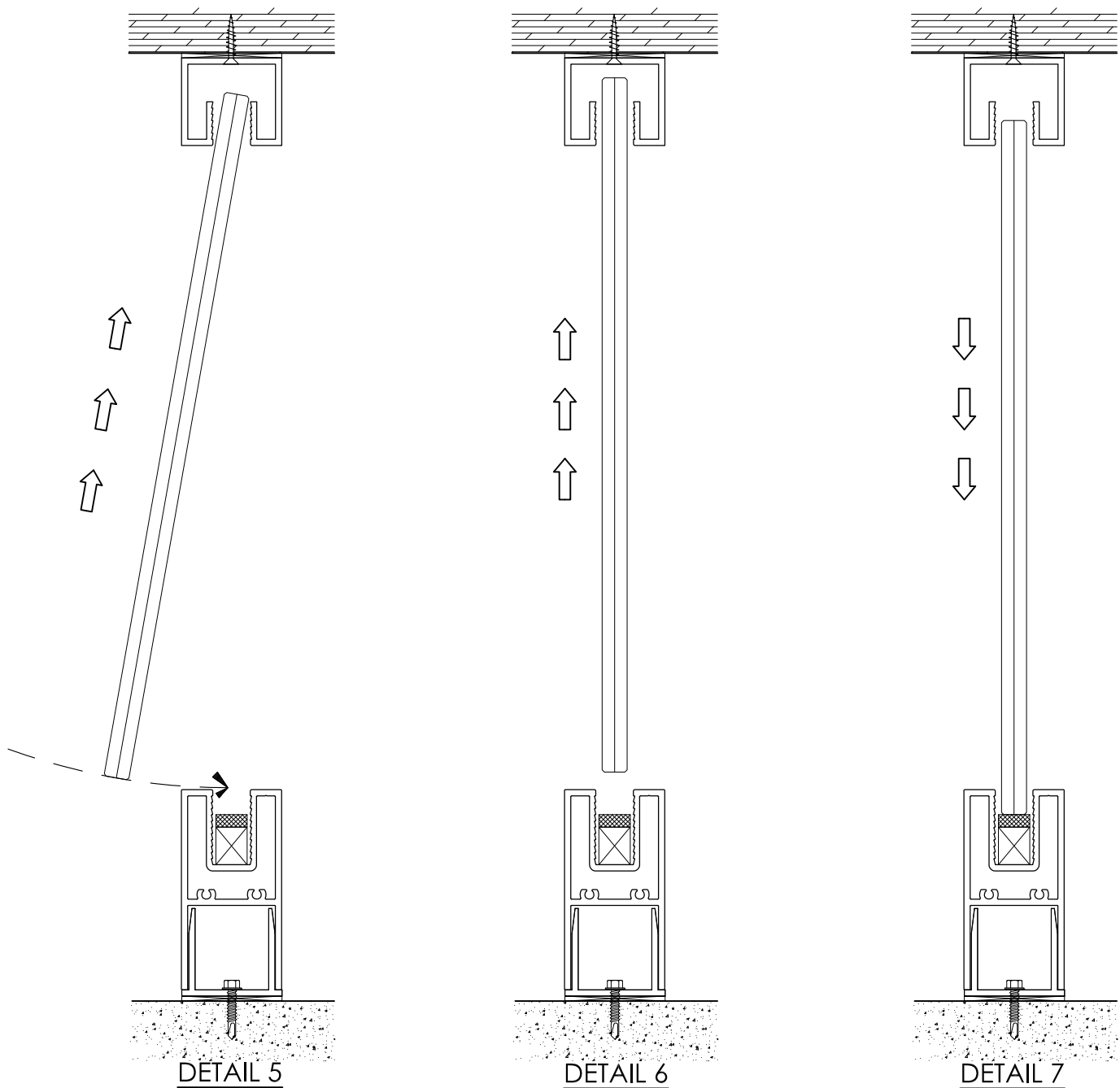
STEP 3:

- Position the setting blocks in the sill's glass channel. Setting block to be 4" long x 1/4" deep minimum x 5/8" wide placed at 1/4 points of glass. Shim up to allow for 1/2" to 5/8" glass bite. (see DETAIL 4)



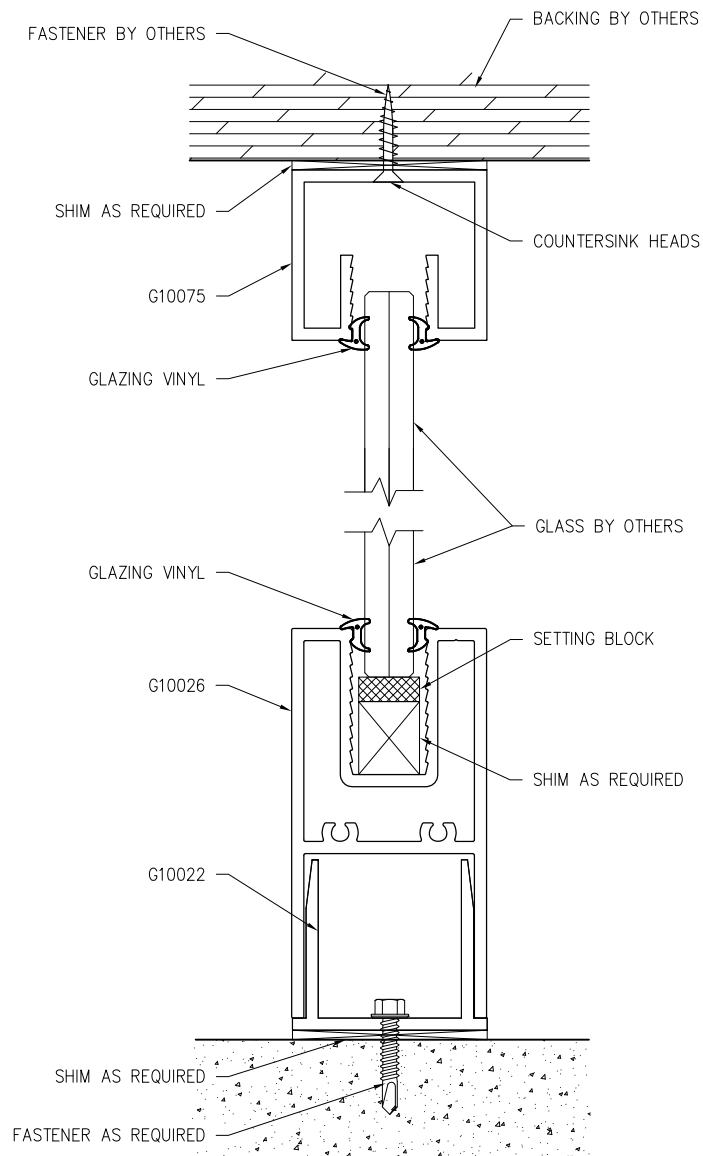
STEP 4:

- Insert the glass panel by driving it up in the the header and lowering the bottom edge onto the setting blocks. Typical of top/bottom set.
 (SEE DETAILS 5, 6 & 7)



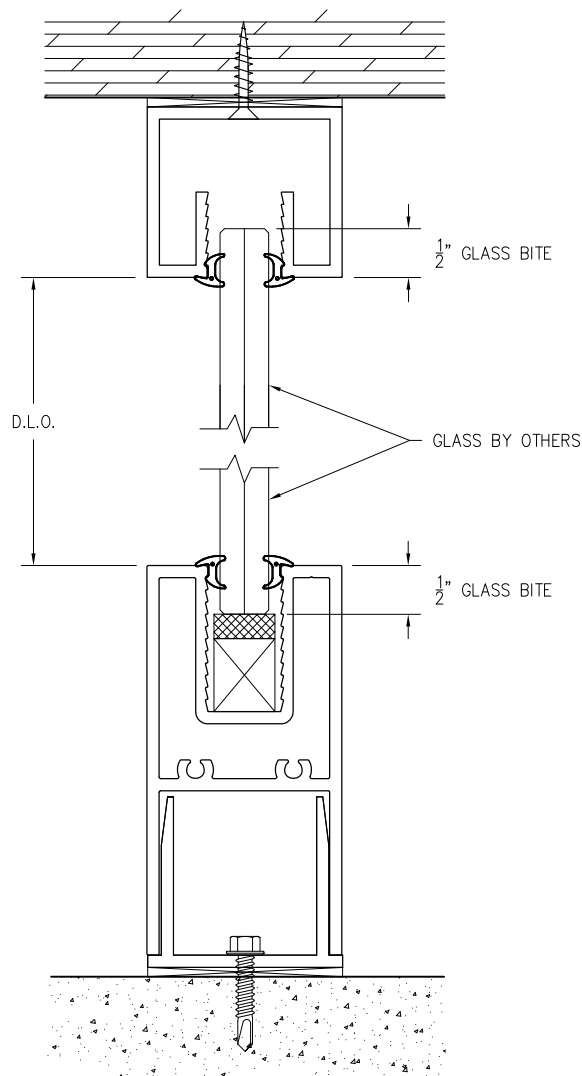
STEP 4 (CONT.):

- Secure the glass at the header and sill by pushing glazing vinyl into place. If additional lubricant is required, use an alcohol based glass cleaner. (SEE DETAIL 8)



DETAIL 8

- Recommended Glass Bite to be 1" over Day Life Opening (D.L.O.); 1/2" @ top, 1/2" @ bottom.
- Minimum clearance between butt lites is 1/8".
- All glass edges are recommended to be finished; polished on exposed edges or ground on concealed edges.
- Glass system is intended for interior applications.
- Install end caps on the exposed ends of the headers and sills.



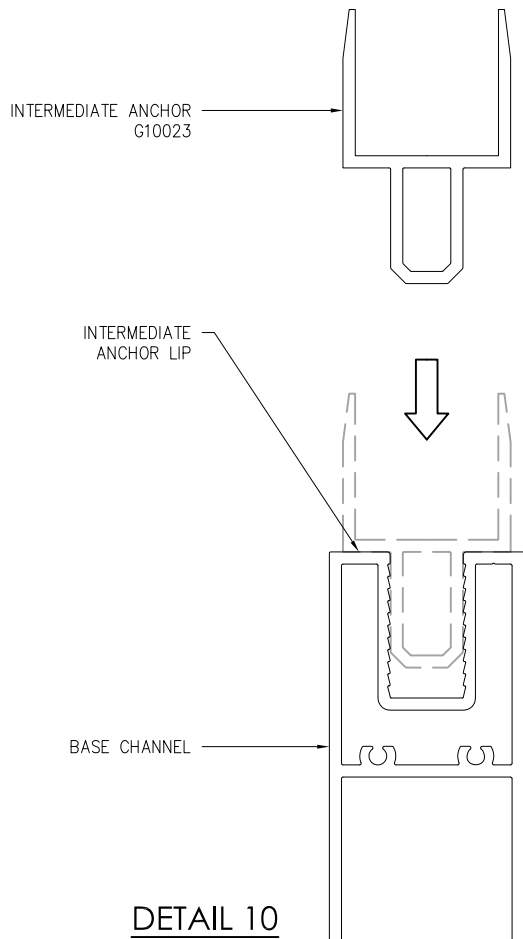
DETAIL 9

STACKED BASE UTILIZING INTERMEDIATE ANCHOR

The following is intended to provide basic directions for the installation of the stacked base utilizing the intermediate anchor. Standard glazing practices and local codes should be followed for the installation of other components such as the anchor and header channel.

Materials:

- Intermediate Anchor (G10023)
- Lower Base Channel (Varies depending on assembled height needs)
- Upper Base Channel (Varies depending on assembled height needs)
- Anchor (G10022)
- Fasteners (#10-16x1" Self Tapping Pan Head Screws)

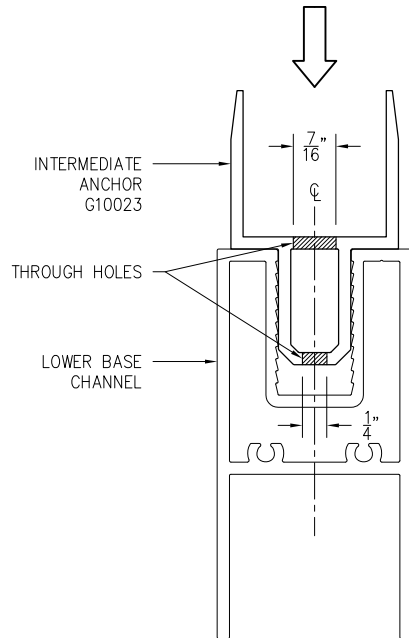


STEP 1:

- Slide the intermediate anchor (G10023) into the pocket of the base channel as illustrated to the left. (SEE DETAIL 10)

NOTE:

The initial placement of the intermediate anchor into the base channel glazing pocket may be snug, it is critical for the anchor adaptor lip to rest directly against the base channel.



DETAIL 11

STEP 2:

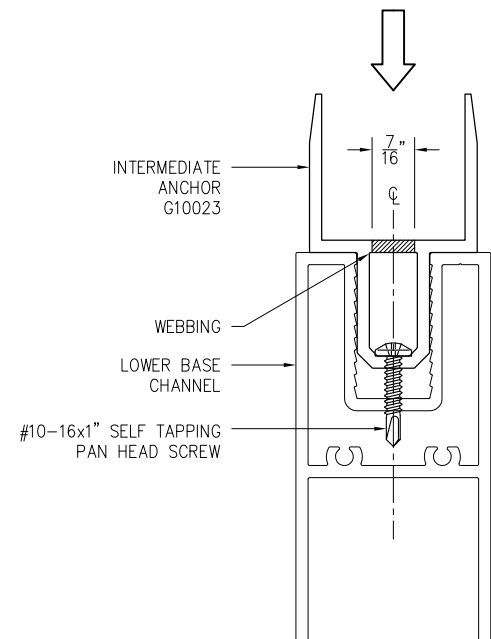
- Determine the necessary fastener locations to secure the intermediate anchor to the base channel.
- The fastener frequency should, at minimum, match the anchoring pattern used for the anchor.

NOTE:

Be aware that even the shortest length of channel should have a minimum of two (2) fasteners attaching the intermediate anchor to the base channel.

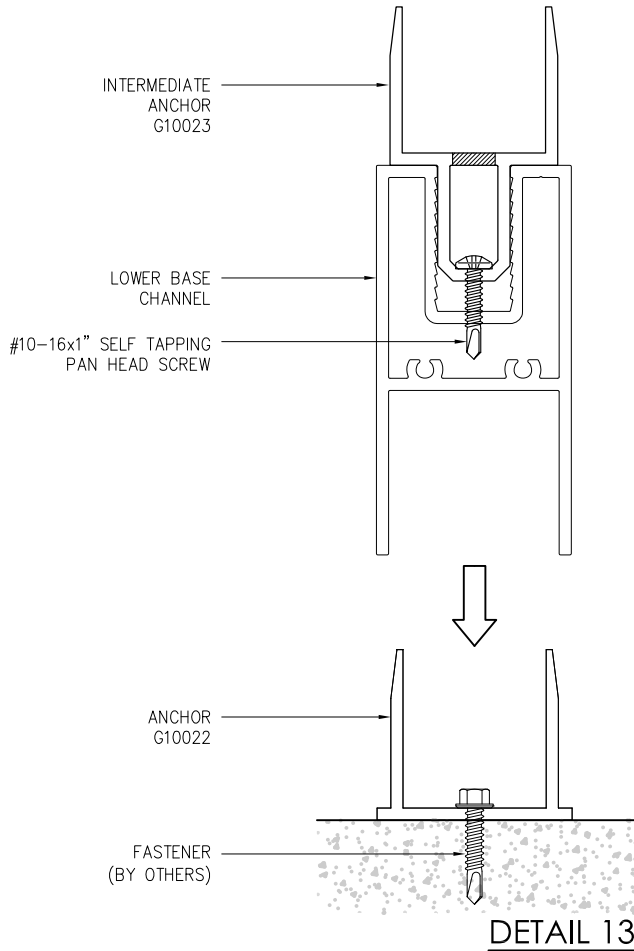
STEP 3:

- Clamp the ends of the intermediate anchor and base channel to ensure there is no lateral movement while drilling and fastening the intermediate adaptor to the base channel.
- Drill a 7/16" through hole into the top side of the intermediate anchor, and a 1/4" through hole as illustrated above. (SEE DETAIL 11)
- Using the supplied #10-16x1" self tapping screws, attach the intermediate anchor through the webbing into the pocket of the base channel. (SEE DETAIL 12)



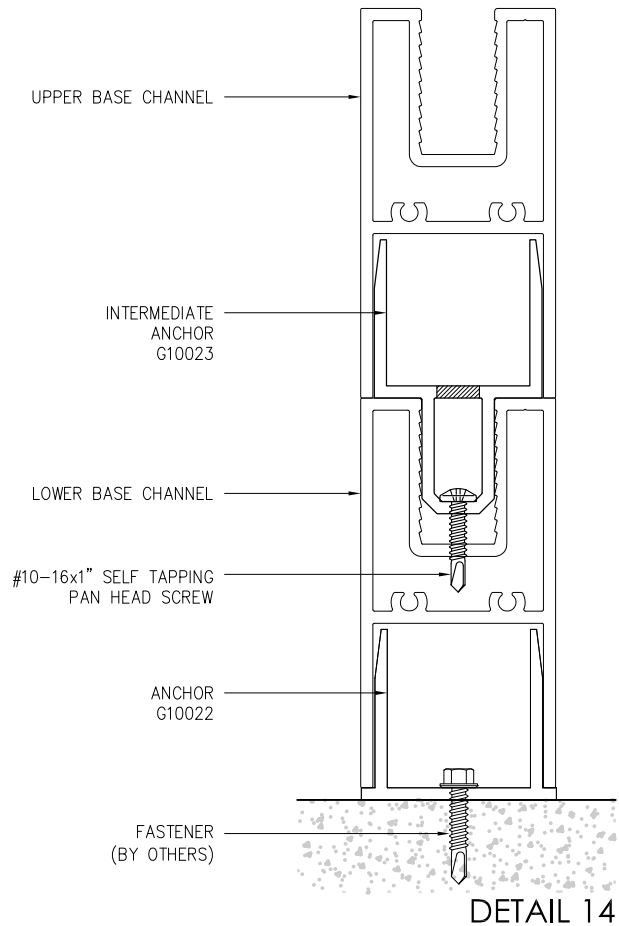
DETAIL 12

STACKED BASE CONDITION



STEP 4:

- Once the intermediate anchor is fully fastened to the base channel, the base channel may be set over the anchor. (SEE DETAIL 13)



STEP 5:

- Finally, the upper base channel may be seated onto the attached intermediate anchor. (SEE DETAIL 14)