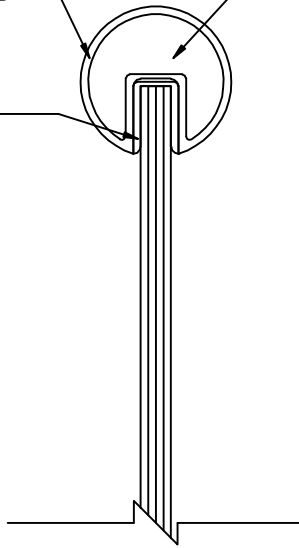


API H21212-1002 POLISHED  
STAINLESS STEEL  
2-1/2" ROUND HANDRAIL CAP  
(813)925-0144  
BIDS@AMERICANPROD.COM

HOLLOW METAL

API H30214-BLACK  
VINYL INSERT  
(813)925-0144  
BIDS@AMERICANPROD.COM



1/2" GLASS BY OTHERS

API H35201-BLACK  
GLAZING VINYL FOR  
1/2" GLASS  
(813)925-0144  
BIDS@AMERICANPROD.COM

API H90010 WHITE  
QUICK SET CEMENT  
(813)925-0144  
BIDS@AMERICANPROD.COM

1002-POLISHED STAINLESS  
STEEL CLADDING  
(813)925-0144  
BIDS@AMERICANPROD.COM

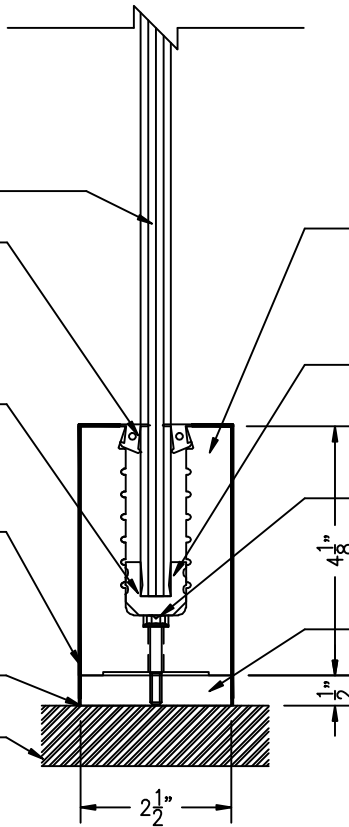
WELDING BY OTHERS  
(SAME OPPOSITE)  
STRUCTURAL STEEL  
BY OTHERS

API 11414-MILL  
STANDARD BOTTOM BASE  
(813)925-0144  
BIDS@AMERICANPROD.COM

API H40012-BLACK  
SETTING BLOCK  
(813)925-0144  
BIDS@AMERICANPROD.COM

API-MILL  
FASTENER BOLT  
(813)925-0144  
BIDS@AMERICANPROD.COM

API-COLD ROLLED STEEL  
1/2" WELDING BLOCK  
(813)925-0144  
BIDS@AMERICANPROD.COM



API Recommends that this note appear with storefront elevations and section view details in your blueprints.

Storefront and related materials provided by American Products, Inc. (API). No substitutions without written consent from store owner/Architect. API (813)925-0144

Customer: API In House

Assembly: Guardrail Section

Scale: N.T.S

Drawn By: SW

Date: 2-17-11

Sheet: 1



AMERICAN PRODUCTS, INC.

AMERICAN PRODUCTS, INC. (API)  
12157 W. LINEBAUGH AVENUE #335  
TAMPA, FL 33626  
CONTACT: KERRI BEALS  
PH (813)925-0144  
WWW.AMERICANPROD.COM