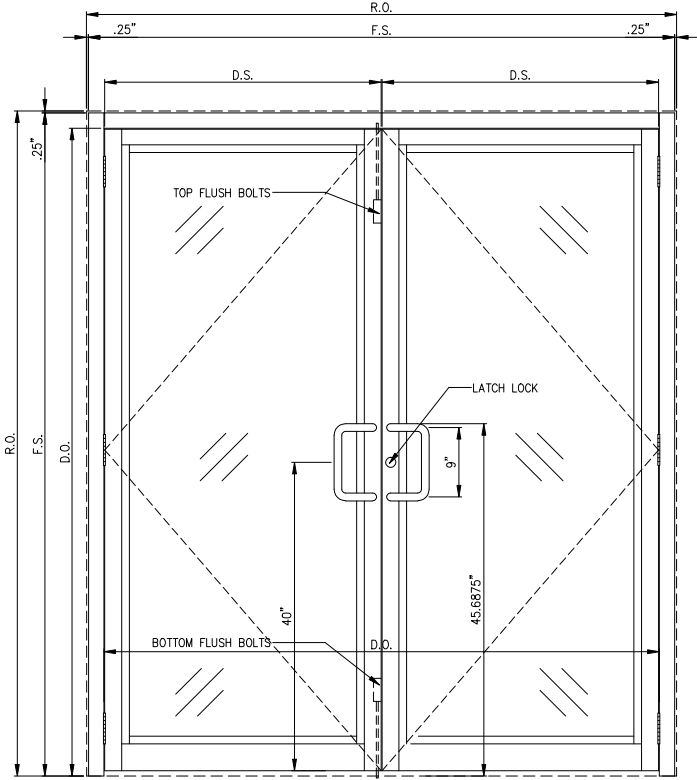
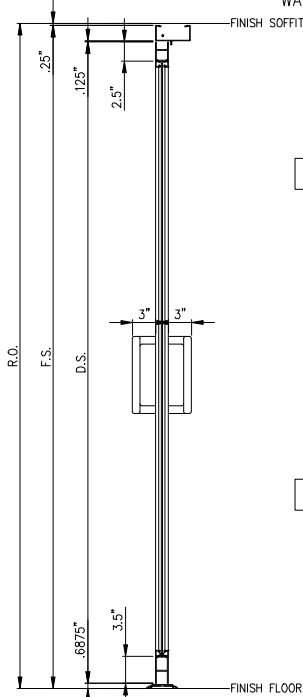


PLAN VIEW



ELEVATION VIEW

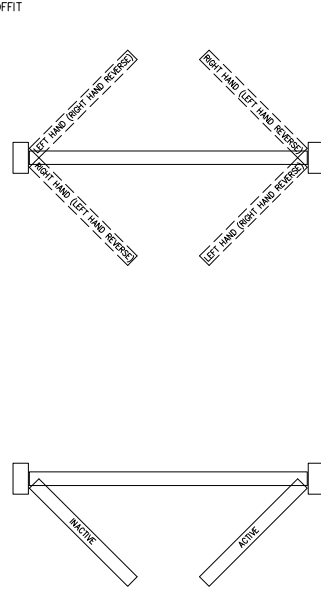


SECTION VIEW

NARROW STILE DOOR
 VERTICAL STILE: 2"
 TOP RAIL: 2-1/2"
 BOTTOM RAIL: 3-1/2"
 NOTE: 10" BOTTOM RAIL
 AVAILABLE AS NEEDED PER
 ADA REQUIREMENTS.

STANDARD HARDWARE
 APPLICATION.

DOORS OVER 9' CARRY NO
 WARRANTY.



API Recommends that this note appear with storefront elevations and section view details in your blueprints.
 Storefront and related materials provided by American Products, Inc. (API). No substitutions without written consent from store owner/
 Architect: API (813)925-0144

Customer: API in House

Assembly: Narrow Stile Framed Door with Standard Hardware

Scale: N.T.S

Drawn By: SW

Date: 2-3-11

Sheet: 1 of 1



AMERICAN PRODUCTS, INC. (API)
 12157 W. LINEBAUGH AVENUE #335
 TAMPA, FL 33626
 CONTACT: KERRI BEALS
 PH (813)925-0144
 WWW.AMERICANPROD.COM