

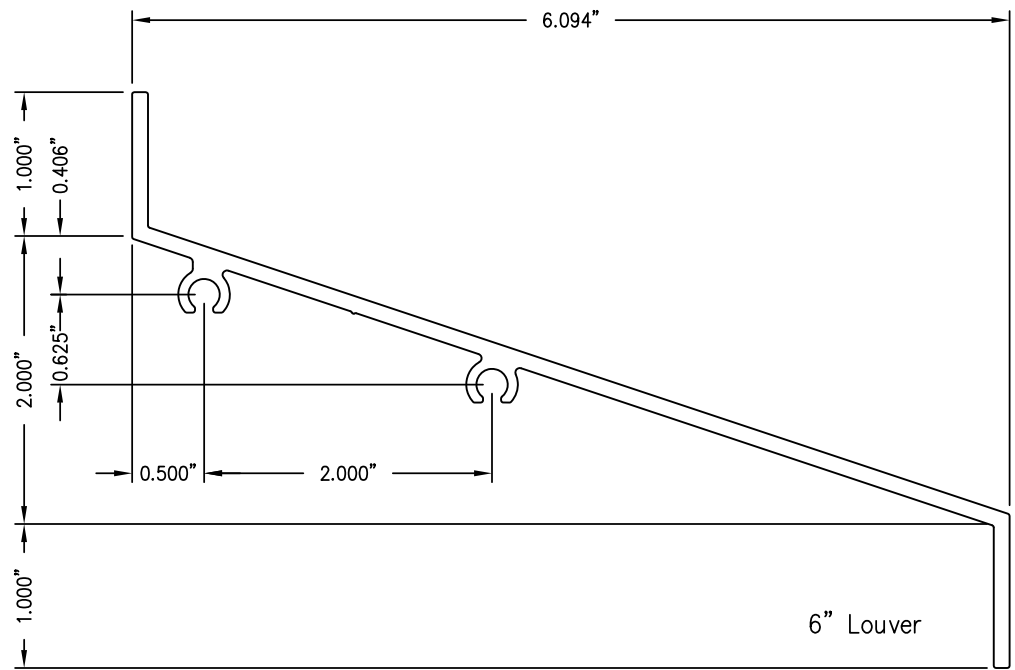
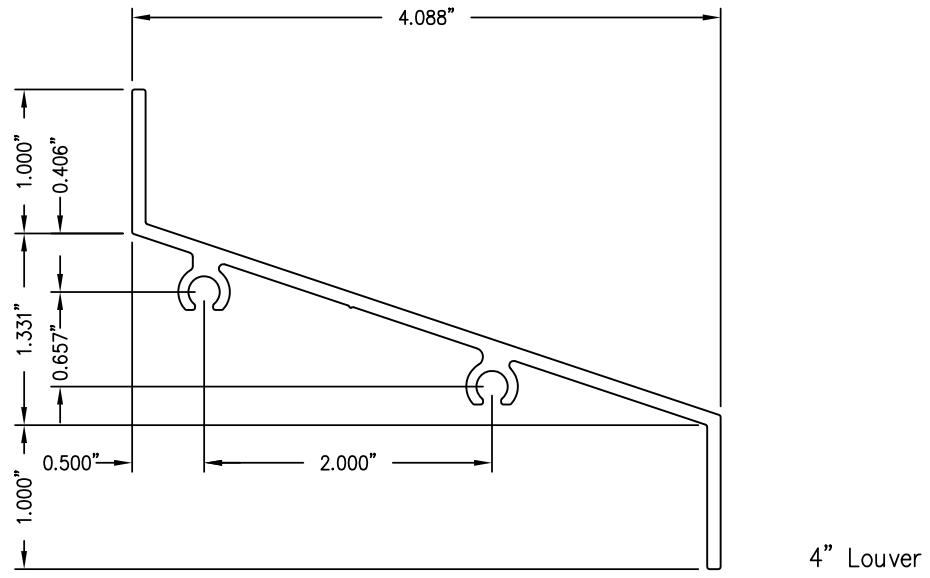
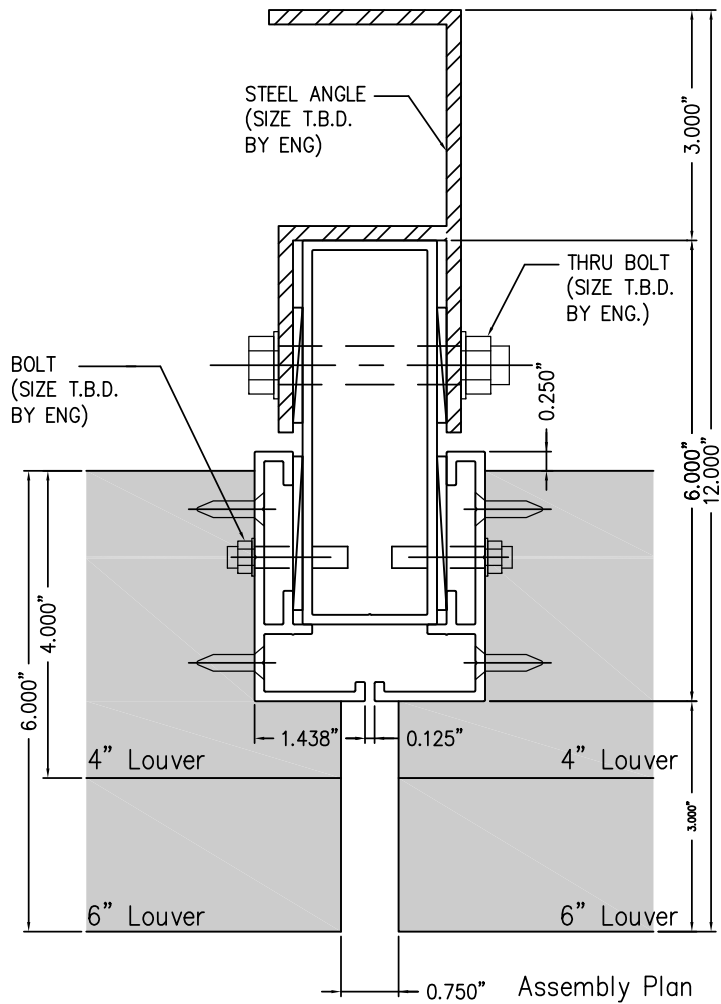
API Recommends that this note appear with storefront elevations and section view details in your blueprints.

Storefront and related materials provided by American Products, Inc. (API). No substitutions without written consent from store owner/ Architect. API (813) 925-0144

Customer: API	
Assembly: LOUVERED SUNSHADE SYSTEM	
Drawn By:	Date: 7/30/12
Revision:	Date:
Scale: N.T.S.	Sheet: 1 OF 3



AMERICAN PRODUCTS, INC. (API)  
 12157 W. LINEBAUGH AVENUE #335  
 TAMPA, FL 33626  
 CONTACT: KERRI BEALS  
 PH (813) 925-0144  
 WWW.AMERICANPROD.COM



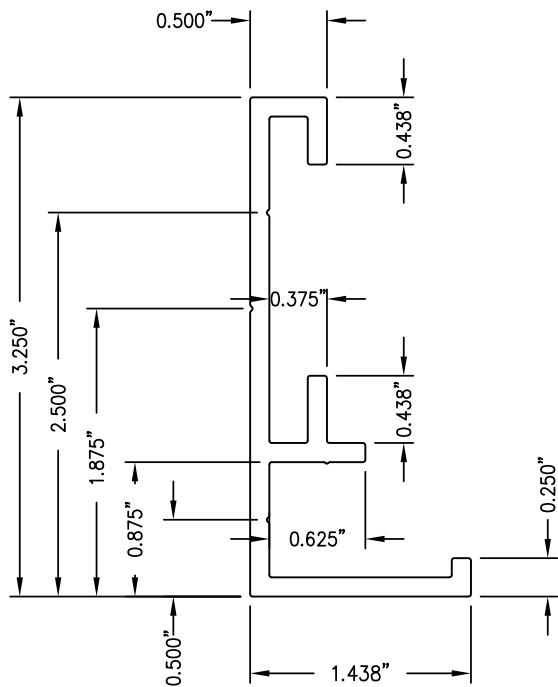
API Recommends that this note appear with storefront elevations and section view details in your blueprints.

Storefront and related materials provided by American Products, Inc. (API). No substitutions without written consent from store owner/Architect. API (813) 925-0144

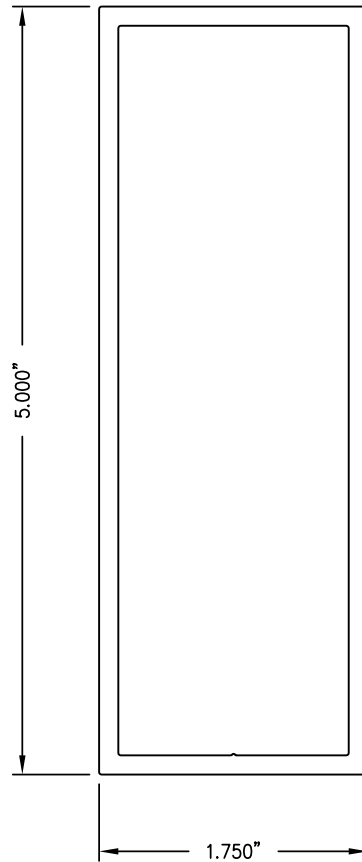
Customer: API	
Assembly: LOUVERED SUNSHADE SYSTEM	
Drawn By:	Date: 7/30/12
Revision:	Date:
Scale: N.T.S.	Sheet: 2 OF 3



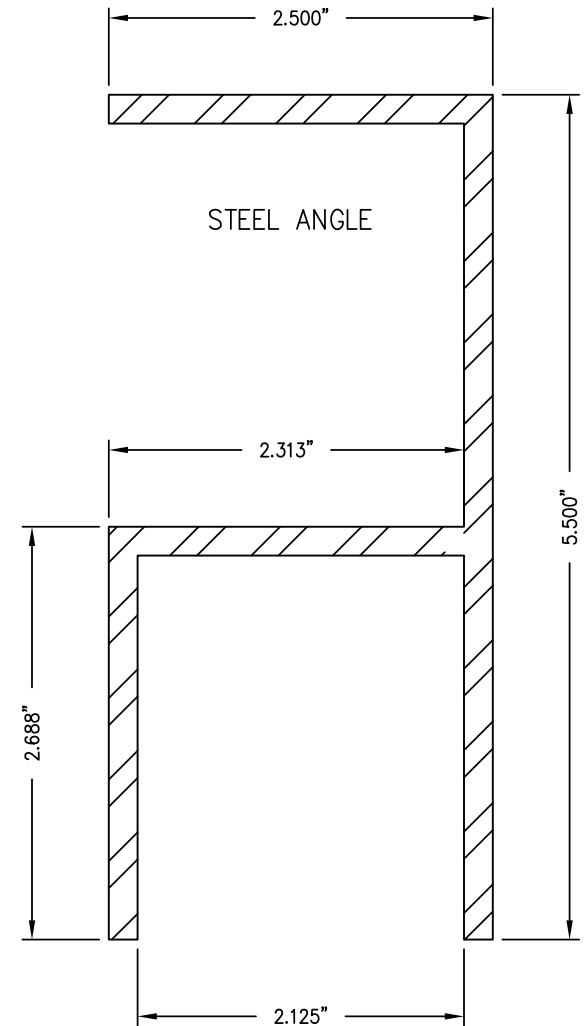
AMERICAN PRODUCTS, INC. (API)  
 12157 W. LINEBAUGH AVENUE #335  
 TAMPA, FL 33626  
 CONTACT: KERRI BEALS  
 PH (813) 925-0144  
 WWW.AMERICANPROD.COM



SUB FRAME



VERTICAL MULLION



STEEL ANGLE

API Recommends that this note appear with storefront elevations and section view details in your blueprints.

Storefront and related materials provided by American Products, Inc. (API). No substitutions without written consent from store owner/Architect. API (813) 925-0144

Customer: API	
Assembly: LOUVERED SUNSHADE SYSTEM	
Drawn By:	Date: 7/30/12
Revision:	Date:
Scale: N.T.S.	Sheet: 3 OF 3



AMERICAN PRODUCTS, INC. (API)  
 12157 W. LINEBAUGH AVENUE #335  
 TAMPA, FL 33626  
 CONTACT: KERRI BEALS  
 PH (813) 925-0144  
 WWW.AMERICANPROD.COM