

1 REVEAL W/ RETURNS
1 SECTION N.T.S.

API RECOMMENDS THAT THIS NOTE APPEAR WITH STOREFRONT ELEVATIONS AND SECTION VIEW DETAILS IN YOUR DRAWINGS

STOREFRONT AND RELATED MATERIALS PROVIDED BY AMERICAN PRODUCTS, INC. (API). NO SUBSTITUTIONS WITHOUT WRITTEN CONSENT FROM STORE OWNER/ARCHITECT. API (813)925-0144

TITLE: ACM Direct Apply - Seam Details

Customer: API IN-HOUSE

REV#:

DATE:

Drawn By: API CAD

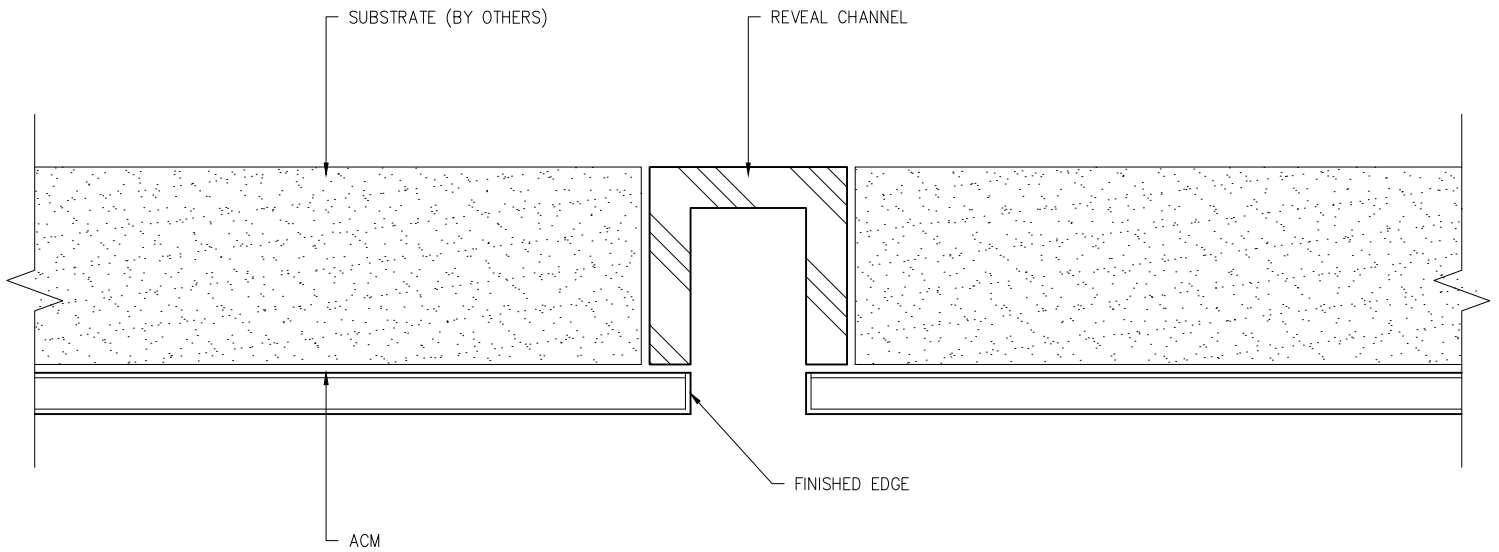
Date: 06/23/2020

Scale: N.T.S.

Sheet: 1



AMERICAN PRODUCTS, INC. (API)
13909 LYNMAR BOULEVARD
TAMPA, FL. 33626
PH: (813) 925-0144
WWW.AMERICANPRODUCTS.COM
CONTACT: KERRI BEALS



1 REVEAL W/ FINISHED EDGES
 2 SECTION N.T.S.

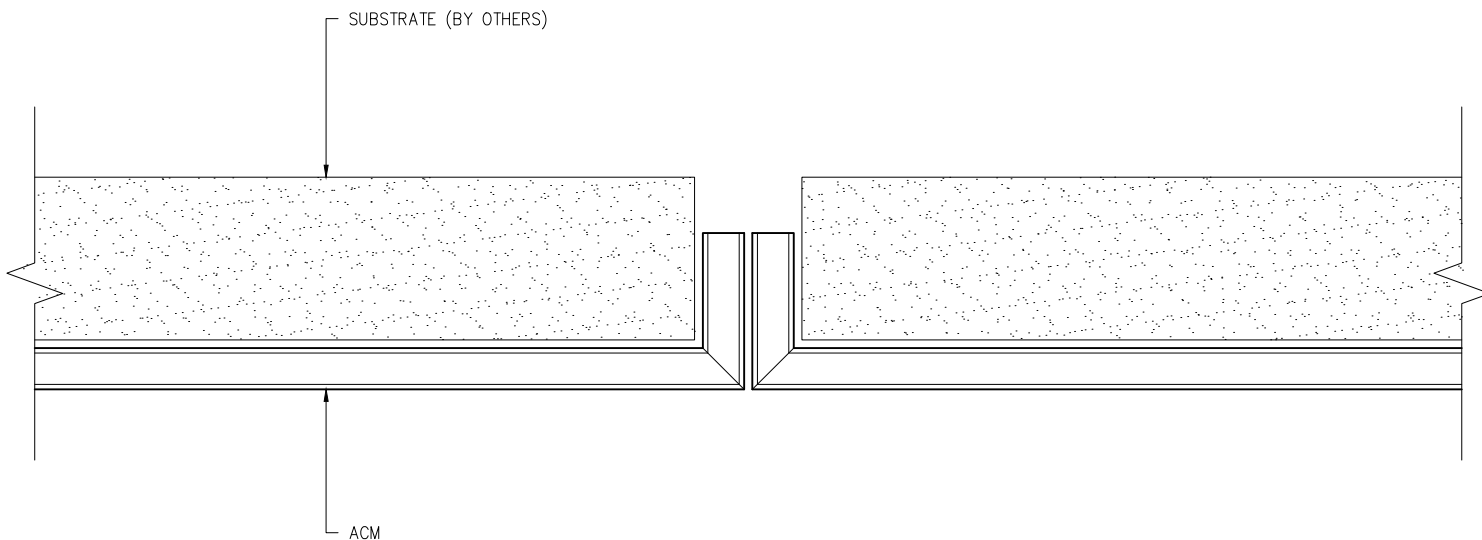
API RECOMMENDS THAT THIS NOTE APPEAR WITH STOREFRONT ELEVATIONS AND SECTION VIEW DETAILS IN YOUR DRAWINGS

STOREFRONT AND RELATED MATERIALS PROVIDED BY AMERICAN PRODUCTS, INC. (API). NO SUBSTITUTIONS WITHOUT WRITTEN CONSENT FROM STORE OWNER/ARCHITECT. API (813)925-0144

TITLE: ACM Direct Apply - Seam Details			
Customer: API IN-HOUSE	REV#:	DATE:	
Drawn By: API CAD			
Date: 06/23/2020			
Scale: N.T.S.	Sheet: 2		



AMERICAN PRODUCTS, INC. (API)
 13909 LYNMAR BOULEVARD
 TAMPA, FL. 33626
 PH: (813) 925-0144
 WWW.AMERICANPRODUCTS.COM
 CONTACT: KERRI BEALS



1
3
RETURNED EDGES
 SECTION N.T.S.

API RECOMMENDS THAT THIS NOTE APPEAR WITH STOREFRONT ELEVATIONS AND SECTION VIEW DETAILS IN YOUR DRAWINGS

STOREFRONT AND RELATED MATERIALS PROVIDED BY AMERICAN PRODUCTS, INC. (API). NO SUBSTITUTIONS WITHOUT WRITTEN CONSENT FROM STORE OWNER/ARCHITECT. API (813)925-0144

TITLE: ACM Direct Apply - Seam Details

Customer: API IN-HOUSE

REV#:

DATE:

Drawn By: API CAD

Date: 06/23/2020

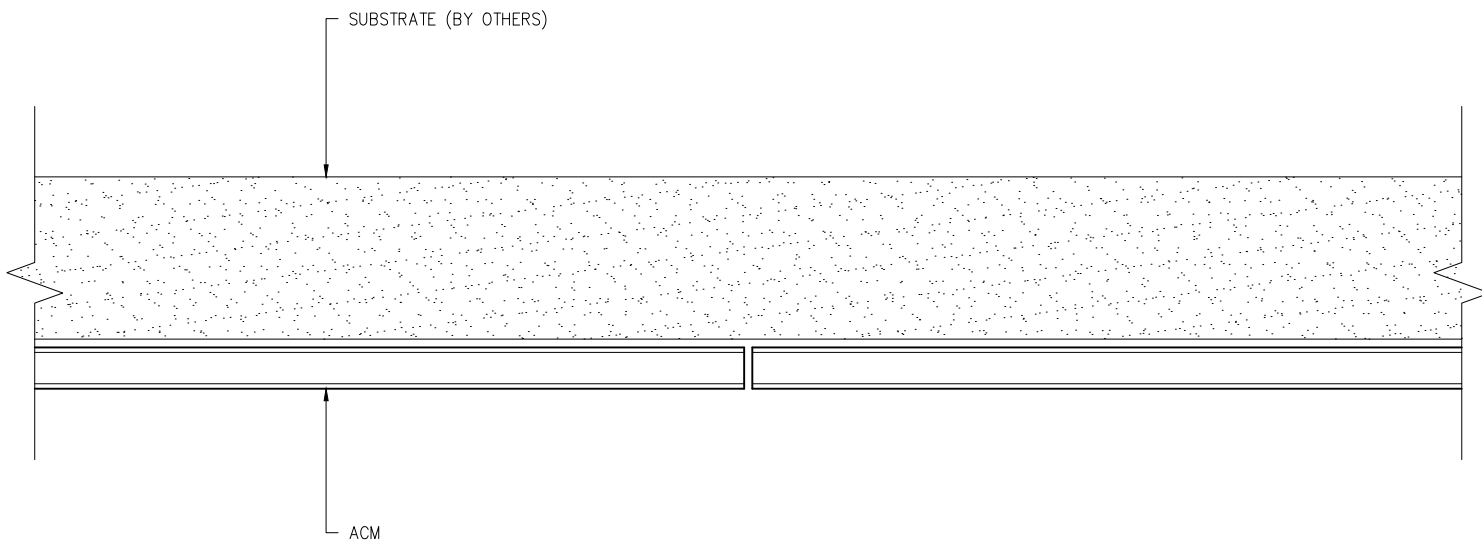
Scale: N.T.S.

Sheet: 3



AMERICAN PRODUCTS, INC.

AMERICAN PRODUCTS, INC. (API)
 13909 LYNMAR BOULEVARD
 TAMPA, FL. 33626
 PH: (813) 925-0144
 WWW.AMERICANPRODUCTS.COM
 CONTACT: KERRI BEALS



1
4 FLAT SEAM SECTION N.T.S.

API RECOMMENDS THAT THIS NOTE APPEAR WITH STOREFRONT ELEVATIONS AND SECTION VIEW DETAILS IN YOUR DRAWINGS

STOREFRONT AND RELATED MATERIALS PROVIDED BY AMERICAN PRODUCTS, INC. (API). NO SUBSTITUTIONS WITHOUT WRITTEN CONSENT FROM STORE OWNER/ARCHITECT. API (813)925-0144

TITLE: ACM Direct Apply - Seam Details

Customer: API IN-HOUSE

REV#:

DATE:

Drawn By: API CAD

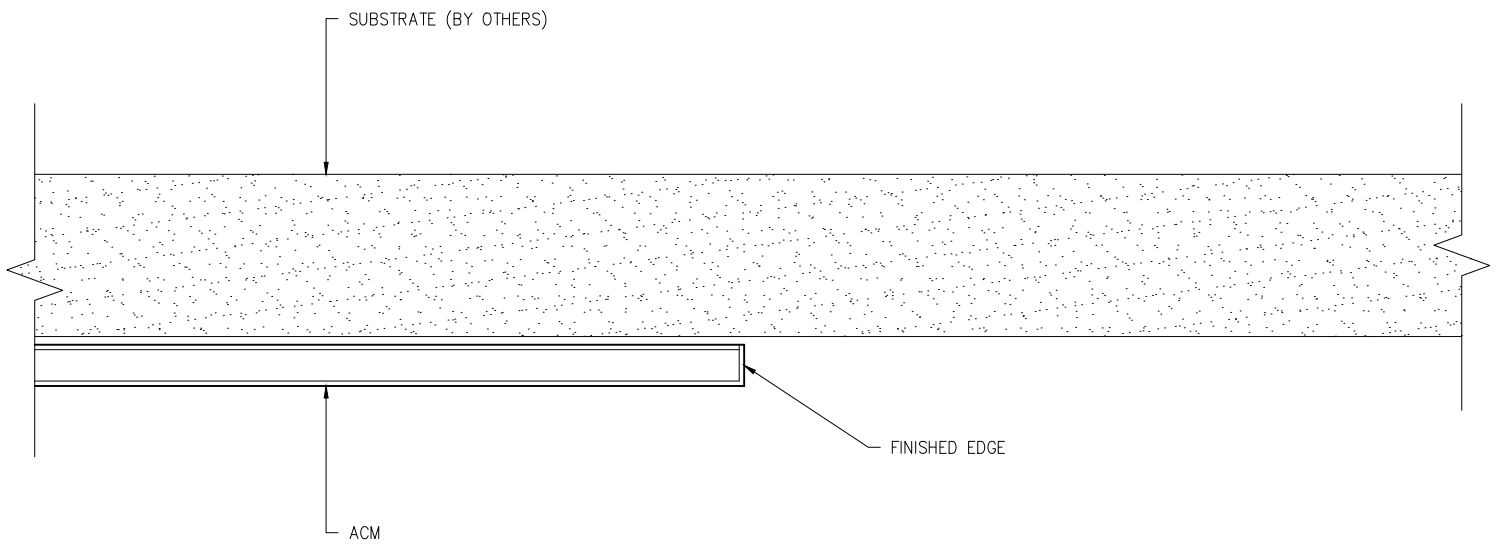
Date: 06/23/2020

Scale: N.T.S.

Sheet: 4



AMERICAN PRODUCTS, INC. (API)
13909 LYNMAR BOULEVARD
TAMPA, FL. 33626
PH: (813) 925-0144
WWW.AMERICANPRODUCTS.COM
CONTACT: KERRI BEALS



1
5
FINISHED EDGE
 SECTION N.T.S.

API RECOMMENDS THAT THIS NOTE APPEAR WITH STOREFRONT ELEVATIONS AND SECTION VIEW DETAILS IN YOUR DRAWINGS

STOREFRONT AND RELATED MATERIALS PROVIDED BY AMERICAN PRODUCTS, INC. (API). NO SUBSTITUTIONS WITHOUT WRITTEN CONSENT FROM STORE OWNER/ARCHITECT. API (813)925-0144

TITLE: ACM Direct Apply - Seam Details			
Customer: API IN-HOUSE	REV#:	DATE:	
Drawn By: API CAD			
Date: 06/23/2020			
Scale: N.T.S.	Sheet: 5		



AMERICAN PRODUCTS, INC. (API)
 13909 LYNMAR BOULEVARD
 TAMPA, FL. 33626
 PH: (813) 925-0144
 WWW.AMERICANPRODUCTS.COM
 CONTACT: KERRI BEALS