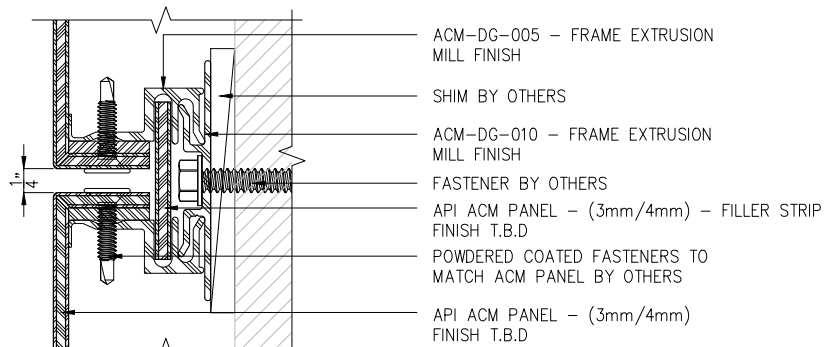
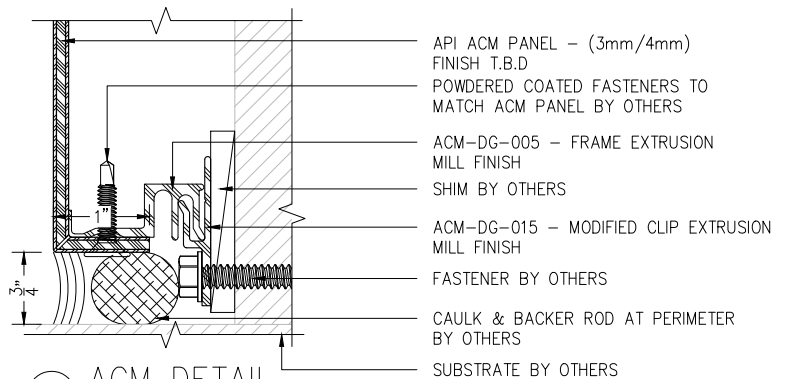


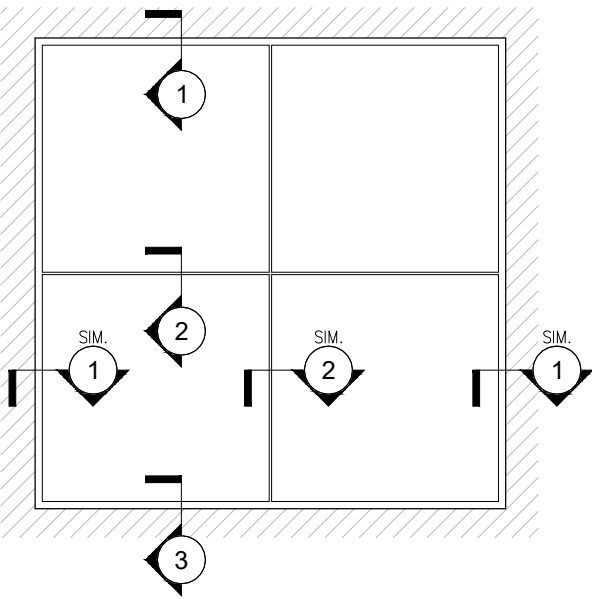
1 ACM DETAIL SECTION N.T.S.



2 ACM DETAIL SECTION N.T.S.



3 ACM DETAIL SECTION N.T.S.



NOTE:

1) THE ACM CLADDING SYSTEM DETAILED IN THIS DRAWING IS DESIGNED TO BE INSTALLED OVER A NAILABLE SUBSTRATE THAT IS COMPLETELY MOISTURE PROOFED.

2) WHEN SUBMITTING PANEL SIZES FOR FABRICATION OF THE DRY GLAZE ACM SYSTEM, PROVIDE OUTSIDE DIMENSIONS. CUSTOMER TO ACCOUNT FOR THE 1/2" REVEL IN BETWEEN THE PANELS AND 3/4" REVEAL AROUND THE PERIMETER

API RECOMMENDS THAT THIS NOTE APPEAR WITH STOREFRONT ELEVATIONS AND SECTION VIEW DETAILS IN YOUR DRAWINGS

STOREFRONT AND RELATED MATERIALS PROVIDED BY AMERICAN PRODUCTS, INC. (API). NO SUBSTITUTIONS WITHOUT WRITTEN CONSENT FROM STORE OWNER/ARCHITECT. API (813)925-0144

TITLE: DRY GLAZE ACM

Customer: API IN-HOUSE

Drawn By: API CAD

Date: 08/06/2020

Scale: N.T.S.

Sheet: 1

REV#: DATE:



AMERICAN PRODUCTS, INC.

AMERICAN PRODUCTS, INC. (API)
13909 LYNMAR BOULEVARD
TAMPA, FL. 33626
PH: (813) 925-0144
WWW.AMERICANPRODUCTS.COM
CONTACT: KERRI BEALS