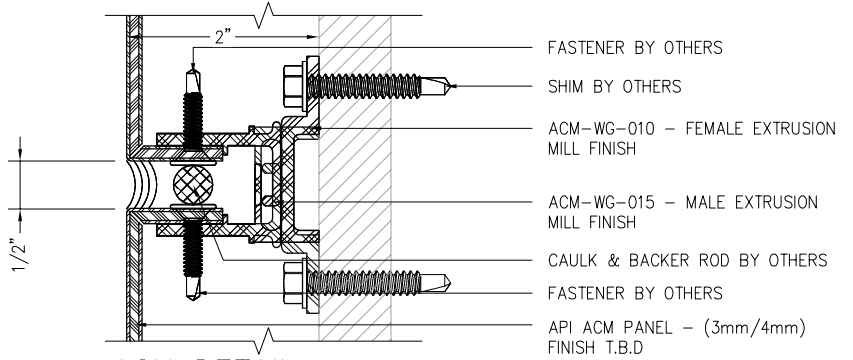
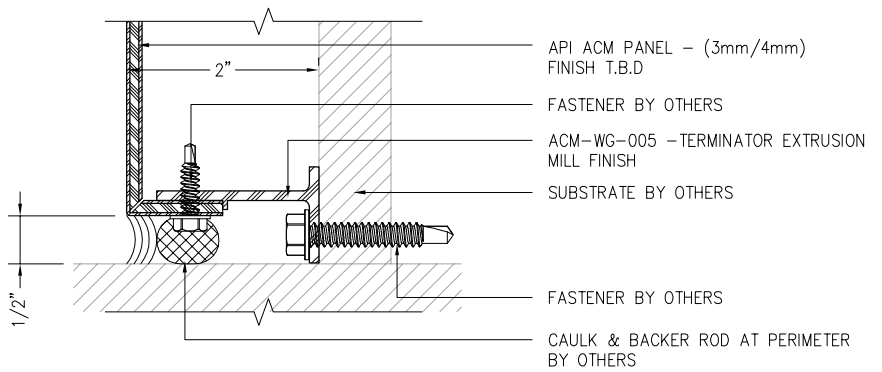


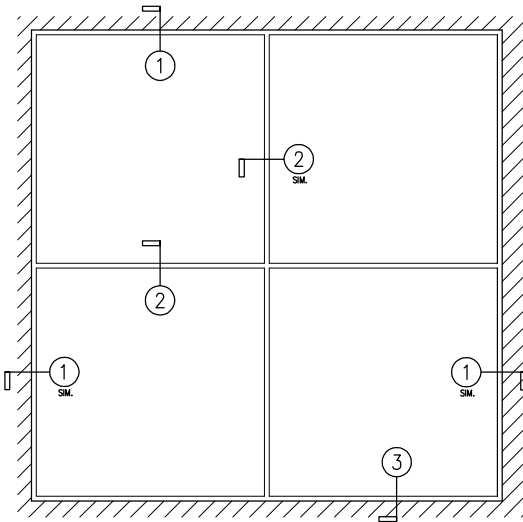
1 ACM DETAIL SECTION N.T.S.



2 ACM DETAIL SECTION N.T.S.



3 ACM DETAIL SECTION N.T.S.



API RECOMMENDS THAT THIS NOTE APPEAR WITH STOREFRONT ELEVATIONS AND SECTION VIEW DETAILS IN YOUR DRAWINGS

STOREFRONT AND RELATED MATERIALS PROVIDED BY AMERICAN PRODUCTS, INC. (API). NO SUBSTITUTIONS WITHOUT WRITTEN CONSENT FROM STORE OWNER/ARCHITECT. API (813)925-0144

TITLE: WET GLAZE ACM

Customer: API IN-HOUSE

Drawn By: API CAD

Date: 05/29/2020

Scale: N.T.S.

Sheet: 1

REV#:

DATE:



AMERICAN PRODUCTS, INC. (API)
13909 LYNMAR BOULEVARD
TAMPA, FL. 33626
PH: (813) 925-0144
WWW.AMERICANPRODUCTS.COM
CONTACT: KERRI BEALS