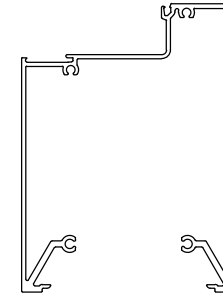
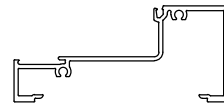
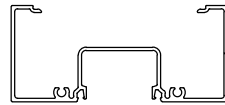


AMERICAN PRODUCTS, INC (API)

**F2000 SYSTEM  
FOR 1" GLASS**

**LIST OF PARTS**

PART #	DESCRIPTION
F20010	HEAD / JAMB, 24' S/L
F20020	HORIZONTAL / SILL, 24' S/L
F20080	6" SILL, 24' S/L
F20025	GLASS STOP, 24' S/L
F20060	4-1/2" ONE POCKET CORNER HALF (LEFT), 24' S/L
F20065	4-1/2" ONE POCKET CORNER HALF (RIGHT), 24' S/L
F20075	4-1/2" NO POCKET CORNER HALF, 24' S/L
F20015	SHALLOW POCKET FILLER, 24' S/L
F20045	FLAT FILLER
F20050	SILL FLASHING, 24' S/L
F50005	SMALL "SLIDE IN" ADAPTOR, 24' S/L
F50010	LARGE "SLIDE IN" ADAPTOR, 24' S/L



F20010

F20020

F20080

F20025

**AVAILABLE FINISHES**

FINISH API / US	DESCRIPTION
1101 US28	CLEAR ANODIZED
1801 US 313	DARK BRONZE ANODIZED
CLAD US32D #4	BRUSHED STAINLESS STEEL
CLAD US32 #8	POLISHED STAINLESS

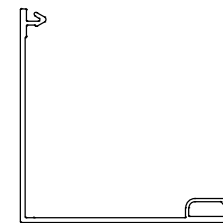
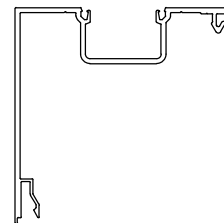
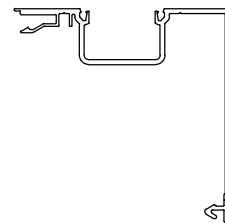
**CUSTOM POWDER COAT**

CUSTOM COLORS UPON REQUEST.

**BASIC ORDERING INFORMATION:**

(PART #)-(FINISH CODE)  
EXAMPLE : F20075-1101

GLASS CALCULATIONS: DLO +3/4"



F20060

F20065

F20075

F20015



ALSO AVAILABLE IN  
4" PIECES - F20045-4

NOTE: ADAPTOR TO SLIDE IN  
PRIOR TO FRAME ASSEMBLY  
/ INSTALL.

NOTE: ADAPTOR TO SLIDE IN  
PRIOR TO FRAME ASSEMBLY  
/ INSTALL.

F20045

F20050

F50005

F50010

API RECOMMENDS THAT THIS NOTE APPEAR WITH  
STOREFRONT ELEVATIONS AND SECTION VIEW  
DETAILS IN YOUR DRAWINGS

STOREFRONT AND RELATED MATERIALS PROVIDED  
BY AMERICAN PRODUCTS, INC. (API). NO  
SUBSTITUTIONS WITHOUT WRITTEN CONSENT FROM  
STORE OWNER/ARCHITECT. API (813)925-0144

Customer: API IN-HOUSE

Assembly: FLUSH GLAZE FOR 1" GLASS (EXT)

REV#:

DATE:

Drawn By: API CAD

Date: 05/19/2020

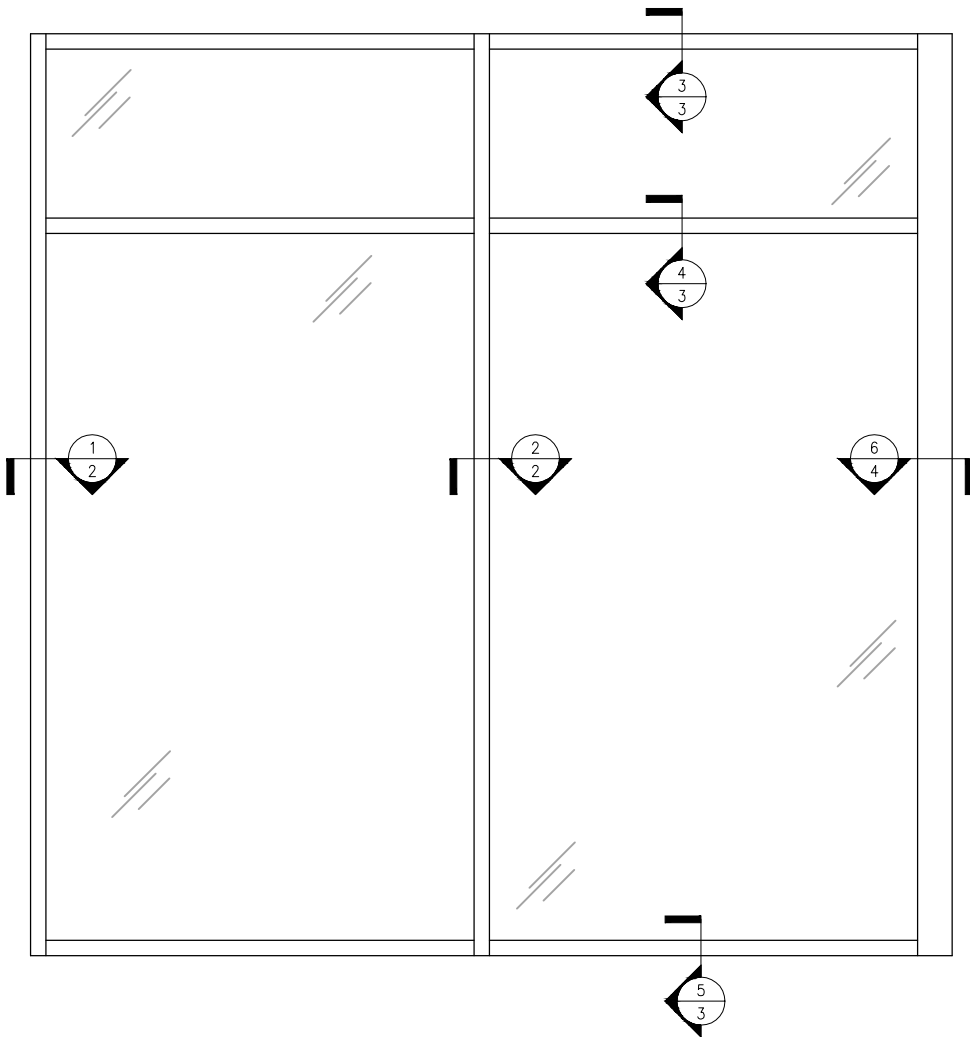
Scale: N.T.S.

Sheet: COVER

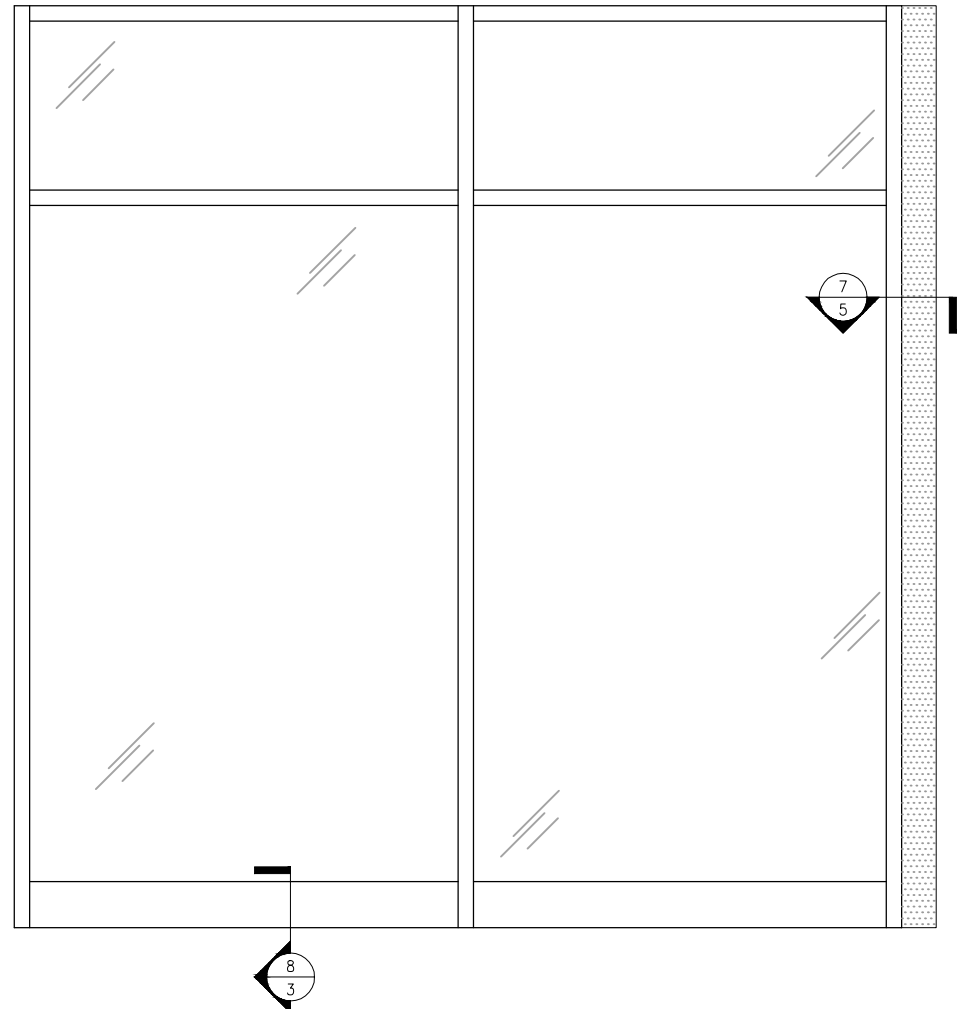


AMERICAN  
PRODUCTS, INC.

AMERICAN PRODUCTS, INC. (API)  
13909 LYNMAR BOULEVARD  
TAMPA, FL. 33626  
PH: (813) 925-0144  
WWW.AMERICANPRODUCTS.COM  
CONTACT: KERRI BEALS



**ELEVATION**  
W/ 4-1/2" CORNER ASSEMBLY



**ELEVATION**  
W/ STRUCTURAL COLUMN BY OTHERS

API RECOMMENDS THAT THIS NOTE APPEAR WITH STOREFRONT ELEVATIONS AND SECTION VIEW DETAILS IN YOUR DRAWINGS

STOREFRONT AND RELATED MATERIALS PROVIDED BY AMERICAN PRODUCTS, INC. (API). NO SUBSTITUTIONS WITHOUT WRITTEN CONSENT FROM STORE OWNER/ARCHITECT. API (813)925-0144

Customer: API IN-HOUSE

Assembly: FLUSH GLAZE FOR 1" GLASS (EXT)

REV#:

DATE:

Drawn By: API CAD

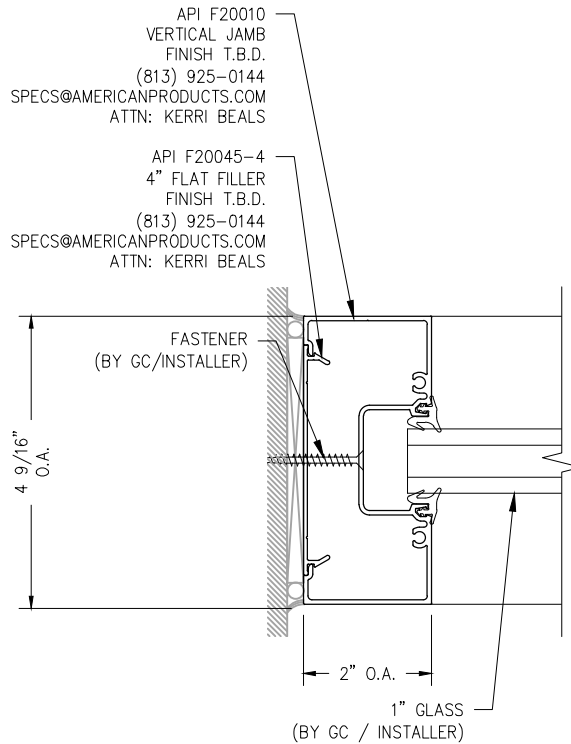
Date: 05/19/2020

Scale: N.T.S.

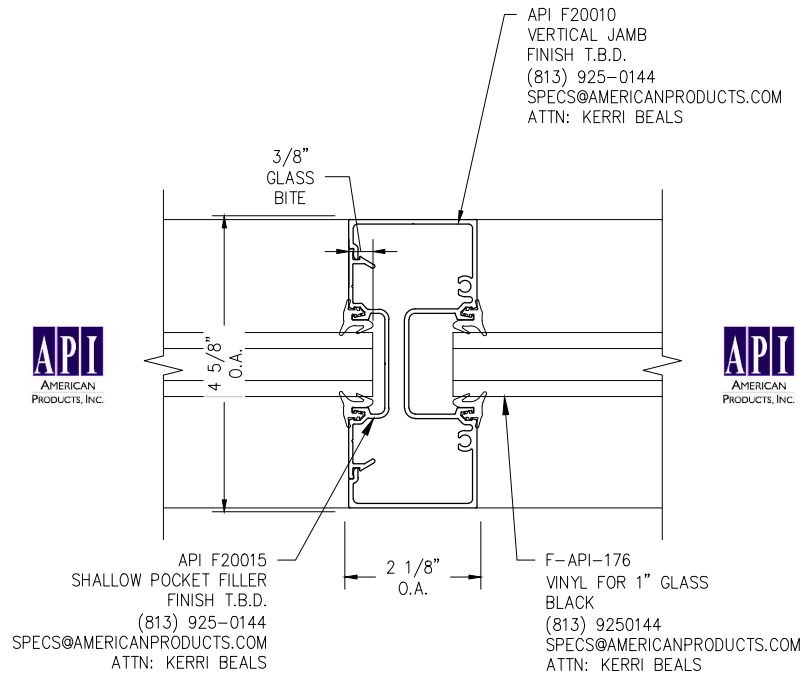
Sheet: 1



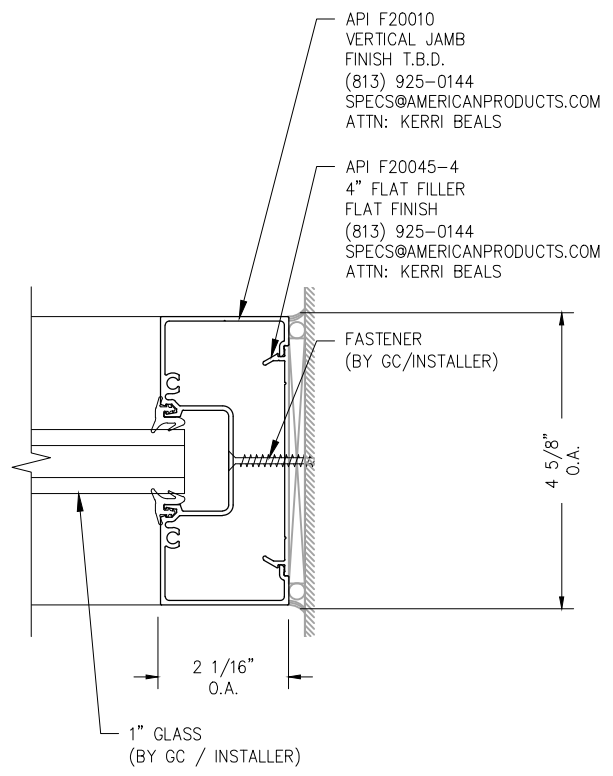
AMERICAN PRODUCTS, INC. (API)  
13909 LYNMAR BOULEVARD  
TAMPA, FL. 33626  
PH: (813) 925-0144  
WWW.AMERICANPRODUCTS.COM  
CONTACT: KERRI BEALS



**DETAIL #1**



**DETAIL #2**



**DETAIL #1**

**PLAN SECTION WITH INTERMEDIATE VERTICAL**

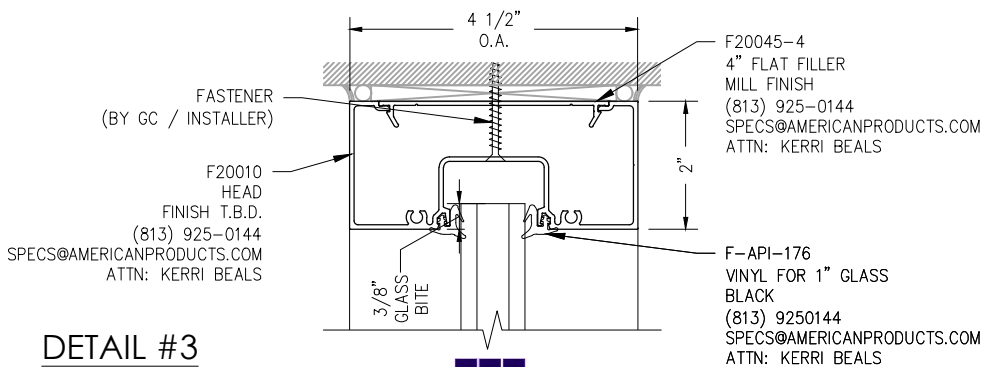
API RECOMMENDS THAT THIS NOTE APPEAR WITH STOREFRONT ELEVATIONS AND SECTION VIEW DETAILS IN YOUR DRAWINGS

STOREFRONT AND RELATED MATERIALS PROVIDED BY AMERICAN PRODUCTS, INC. (API). NO SUBSTITUTIONS WITHOUT WRITTEN CONSENT FROM STORE OWNER/ARCHITECT. API (813)925-0144

Customer: API IN-HOUSE		
Assembly: FLUSH GLAZE FOR 1" GLASS (EXT)	REV#:	DATE:
Drawn By: API CAD		
Date: 05/19/2020		
Scale: N.T.S.	Sheet: 2	

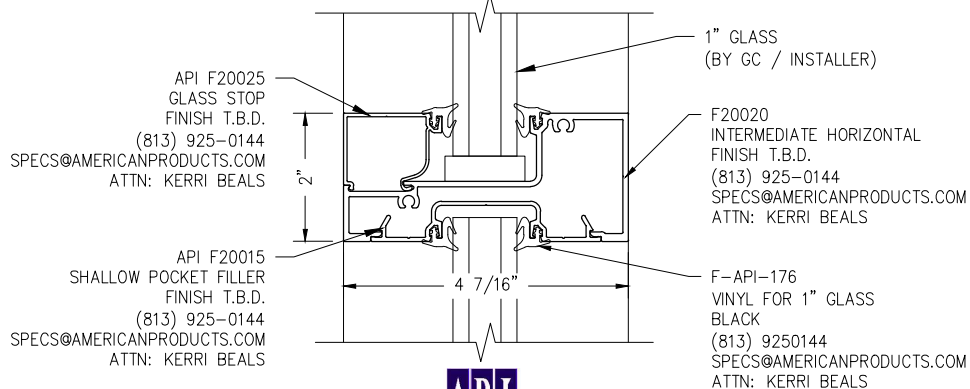


AMERICAN PRODUCTS, INC. (API)  
13909 LYNMAR BOULEVARD  
TAMPA, FL. 33626  
PH: (813) 925-0144  
WWW.AMERICANPRODUCTS.COM  
CONTACT: KERRI BEALS

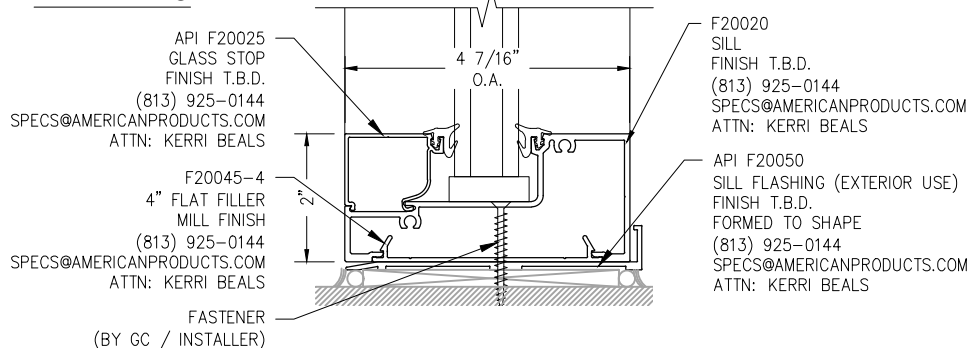


**DETAIL #3**

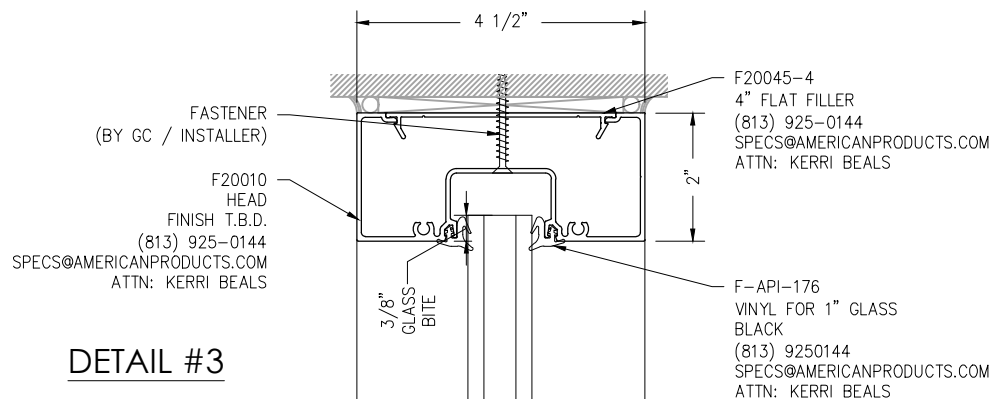
**DETAIL #4**



**DETAIL #5**

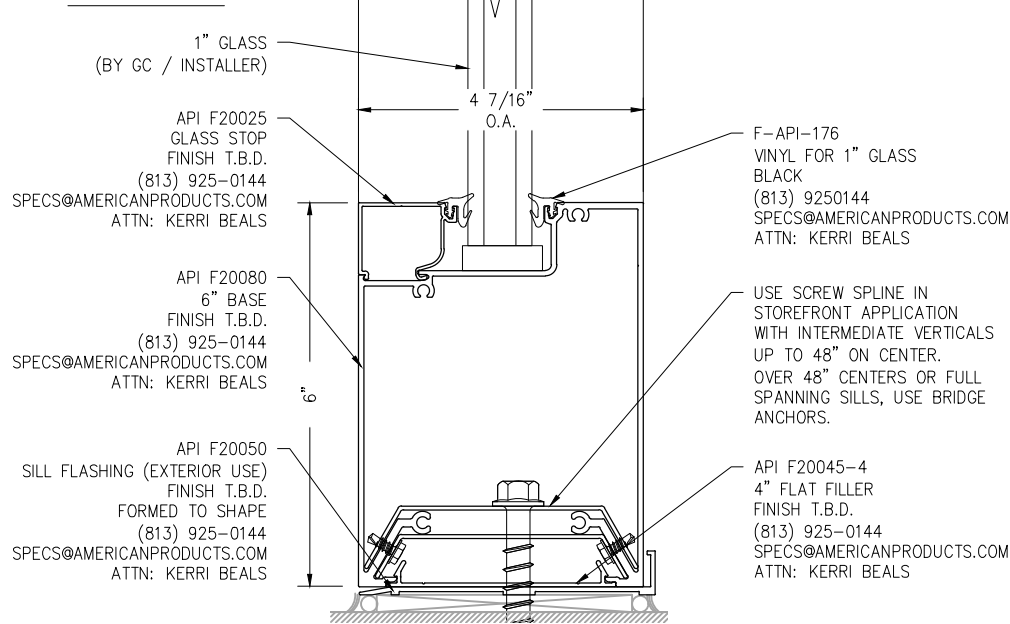


**VERTICAL SECTION WITH INTERMEDIATE HORIZONTAL**



**DETAIL #3**

**DETAIL #8**



**VERTICAL SECTION WITH 6" BASE**

API RECOMMENDS THAT THIS NOTE APPEAR WITH STOREFRONT ELEVATIONS AND SECTION VIEW DETAILS IN YOUR DRAWINGS

STOREFRONT AND RELATED MATERIALS PROVIDED BY AMERICAN PRODUCTS, INC. (API). NO SUBSTITUTIONS WITHOUT WRITTEN CONSENT FROM STORE OWNER/ARCHITECT. API (813)925-0144

Customer: API IN-HOUSE

Assembly: FLUSH GLAZE FOR 1" GLASS (EXT)

Drawn By: API CAD

Date: 05/19/2020

Scale: N.T.S.

Sheet: 3

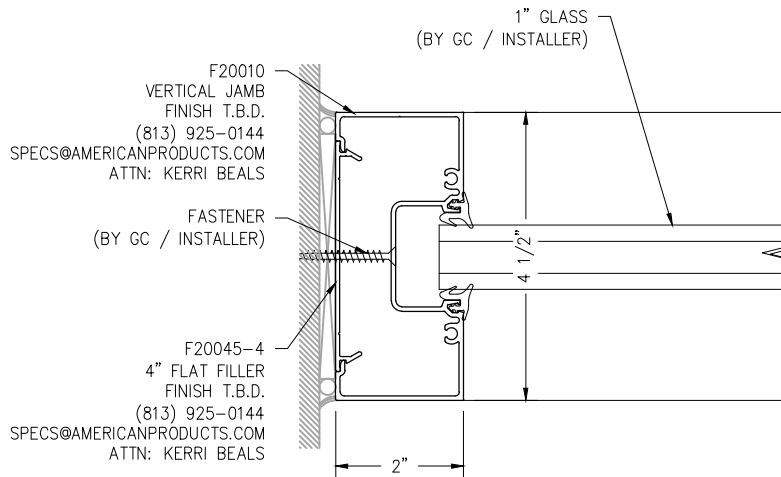
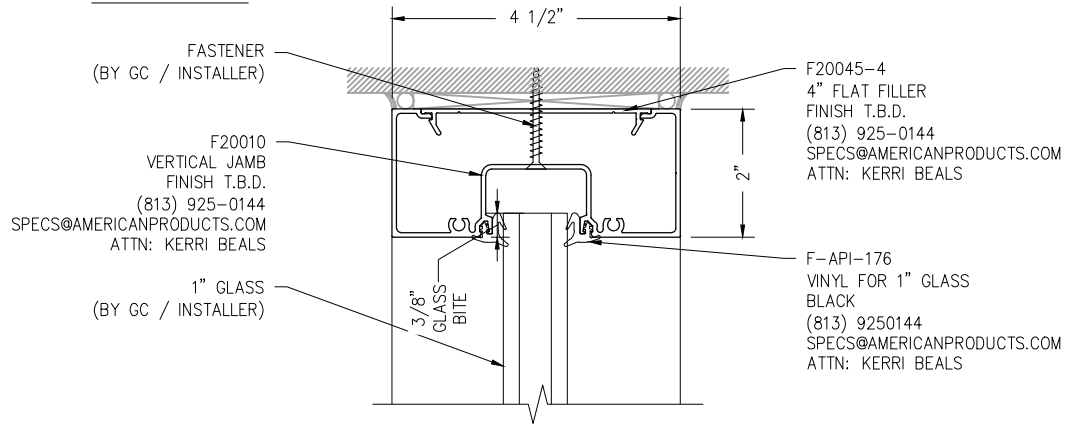
REV#: DATE:



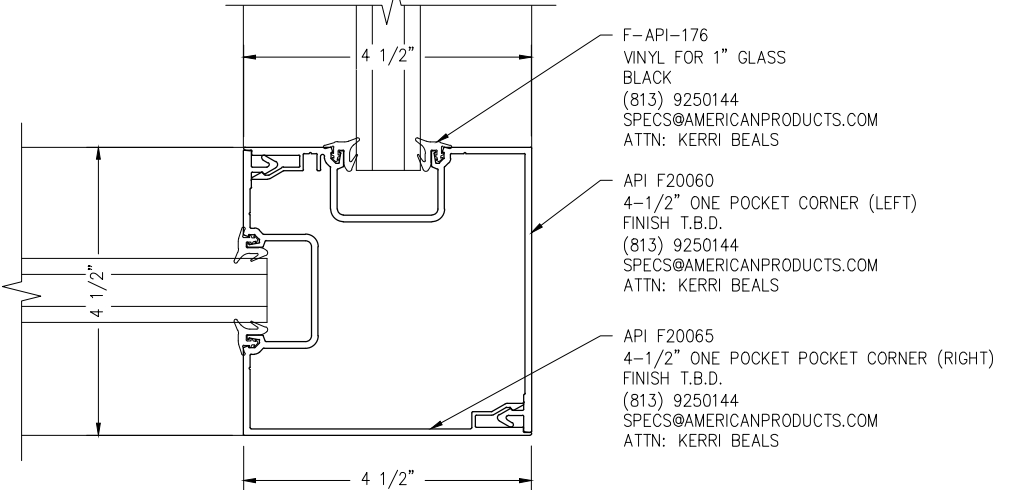
AMERICAN PRODUCTS, INC.

AMERICAN PRODUCTS, INC. (API)  
13909 LYNMAR BOULEVARD  
TAMPA, FL. 33626  
PH: (813) 925-0144  
WWW.AMERICANPRODUCTS.COM  
CONTACT: KERRI BEALS

**DETAIL #1**



**DETAIL #1**



**DETAIL #6**

**PLAN SECTION WITH 4-1/2" CORNER ASSEMBLY**

API RECOMMENDS THAT THIS NOTE APPEAR WITH STOREFRONT ELEVATIONS AND SECTION VIEW DETAILS IN YOUR DRAWINGS

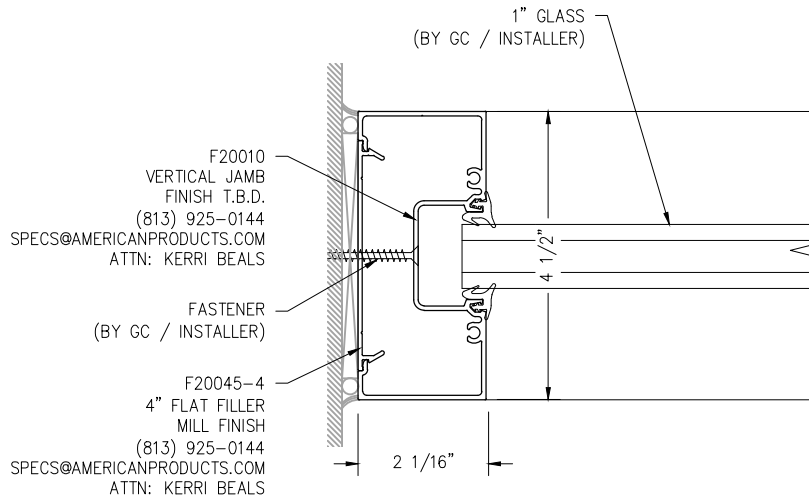
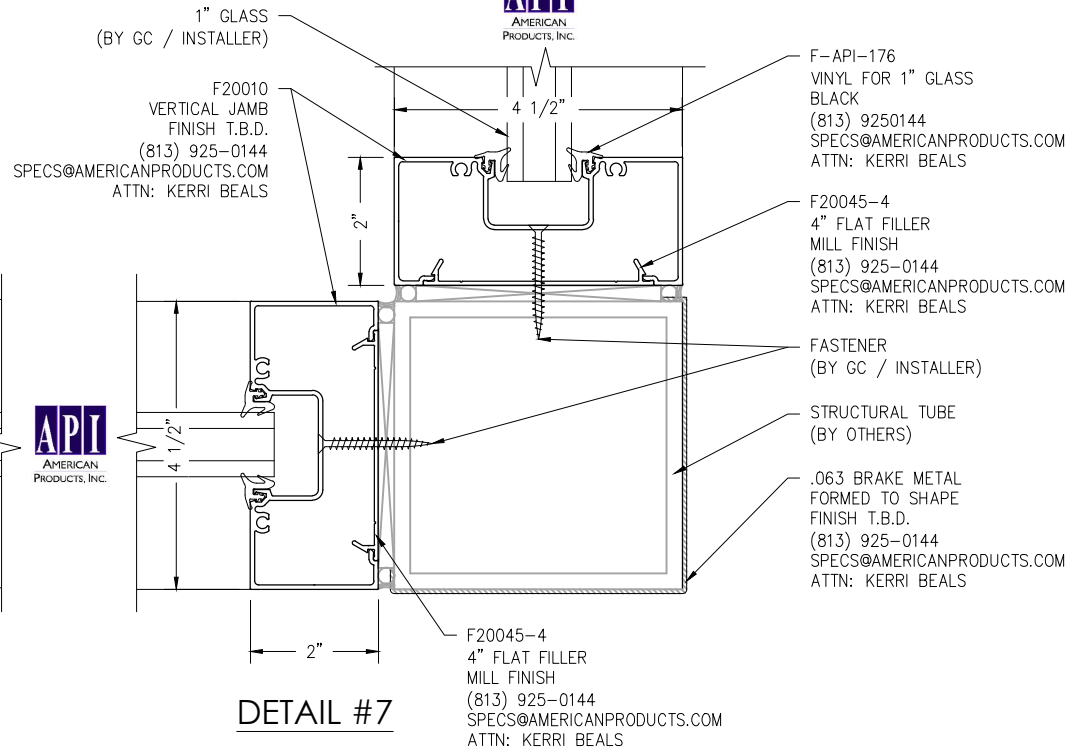
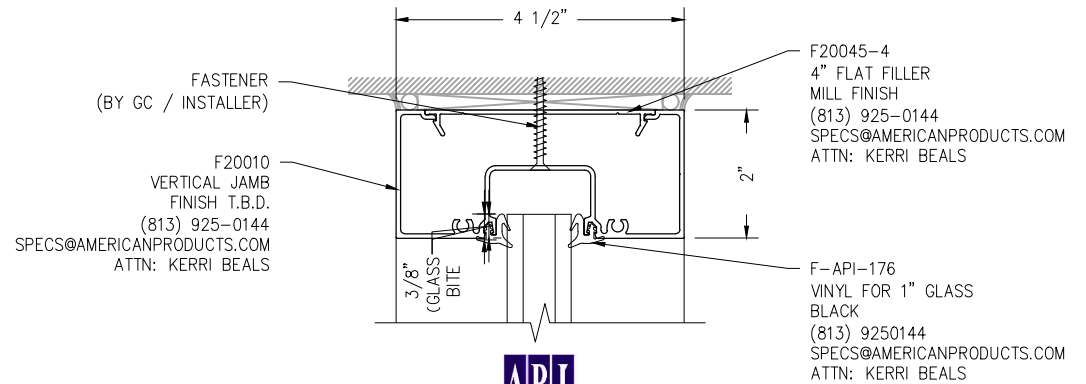
STOREFRONT AND RELATED MATERIALS PROVIDED BY AMERICAN PRODUCTS, INC. (API). NO SUBSTITUTIONS WITHOUT WRITTEN CONSENT FROM STORE OWNER/ARCHITECT. API (813)925-0144

Customer: API IN-HOUSE		
Assembly: FLUSH GLAZE FOR 1" GLASS (EXT)	REV#:	DATE:
Drawn By: API CAD		
Date: 05/19/2020		
Scale: N.T.S.	Sheet: 4	



AMERICAN PRODUCTS, INC. (API)  
13909 LYNMAR BOULEVARD  
TAMPA, FL. 33626  
PH: (813) 925-0144  
WWW.AMERICANPRODUCTS.COM  
CONTACT: KERRI BEALS

# DETAIL #1



DETAIL #1

DETAIL #7

## PLAN SECTION WITH STRUCTURAL COLUMN (BY OTHERS)

API RECOMMENDS THAT THIS NOTE APPEAR WITH STOREFRONT ELEVATIONS AND SECTION VIEW DETAILS IN YOUR DRAWINGS

STOREFRONT AND RELATED MATERIALS PROVIDED BY AMERICAN PRODUCTS, INC. (API). NO SUBSTITUTIONS WITHOUT WRITTEN CONSENT FROM STORE OWNER/ARCHITECT. API (813)925-0144

Customer: API IN-HOUSE

Assembly: FLUSH GLAZE FOR 1" GLASS (EXT)

REV#:

DATE:

Drawn By: API CAD

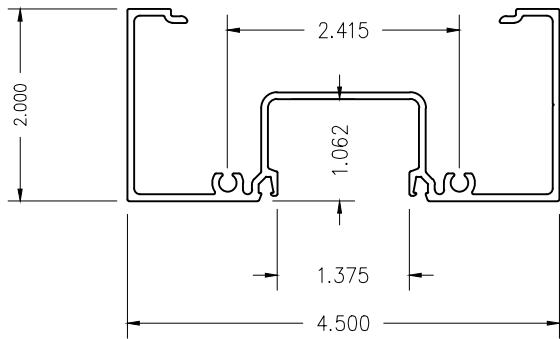
Date: 05/19/2020

Scale: N.T.S.

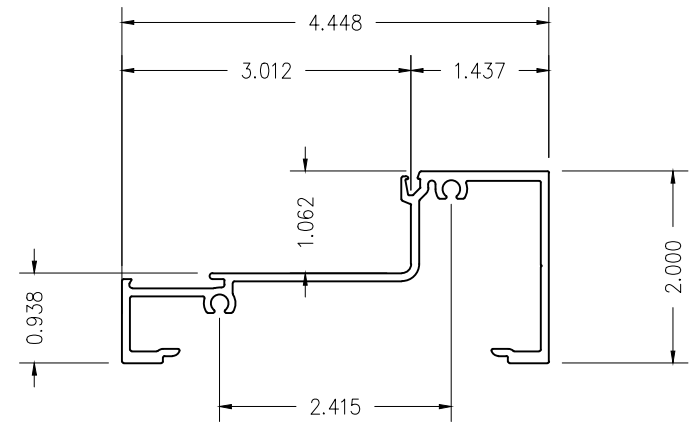
Sheet: 5



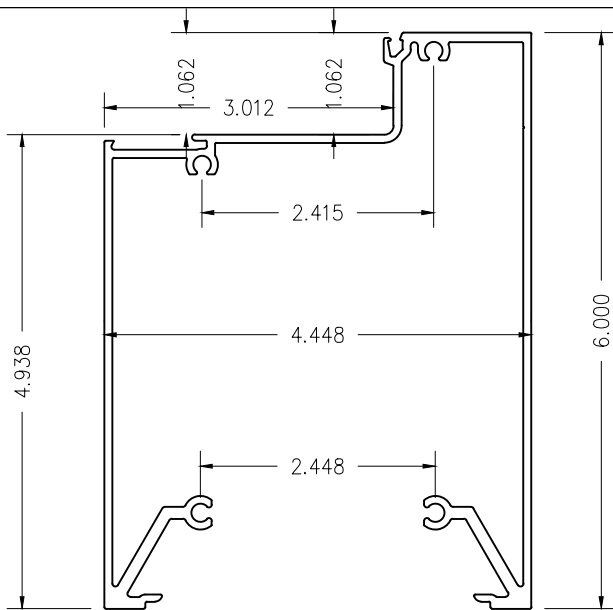
AMERICAN PRODUCTS, INC. (API)  
13909 LYNMAR BOULEVARD  
TAMPA, FL. 33626  
PH: (813) 925-0144  
WWW.AMERICANPRODUCTS.COM  
CONTACT: KERRI BEALS



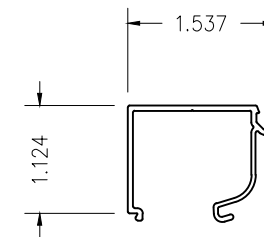
**F20010 - HEAD / JAMB**



**F20020 - HORIZONTAL / SIILL**



**F20080 - 6" SILL**



**F20025 - GLASS STOP**

API RECOMMENDS THAT THIS NOTE APPEAR WITH STOREFRONT ELEVATIONS AND SECTION VIEW DETAILS IN YOUR DRAWINGS

STOREFRONT AND RELATED MATERIALS PROVIDED BY AMERICAN PRODUCTS, INC. (API). NO SUBSTITUTIONS WITHOUT WRITTEN CONSENT FROM STORE OWNER/ARCHITECT. API (813)925-0144

Customer: API IN-HOUSE

Assembly: FLUSH GLAZE FOR 1" GLASS (EXT)

REV#:

DATE:

Drawn By: API CAD

Date: 05/19/2020

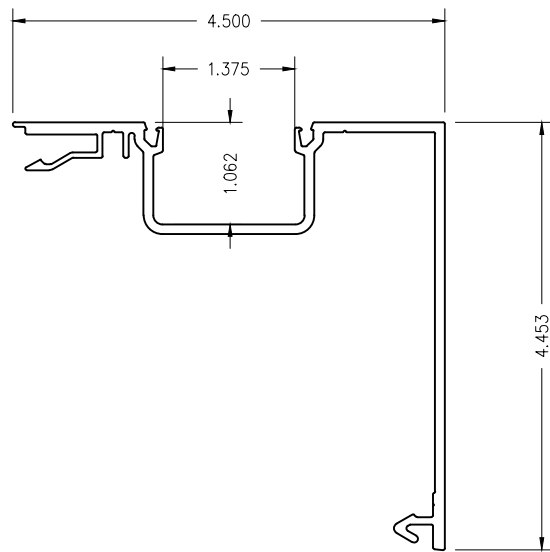
Scale: N.T.S.

Sheet: 6

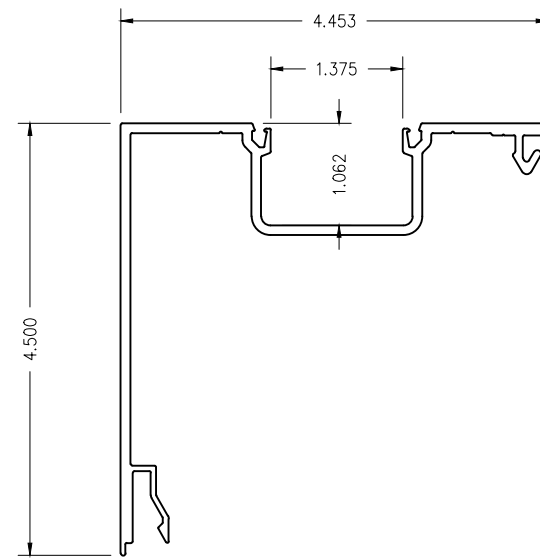


AMERICAN PRODUCTS, INC.

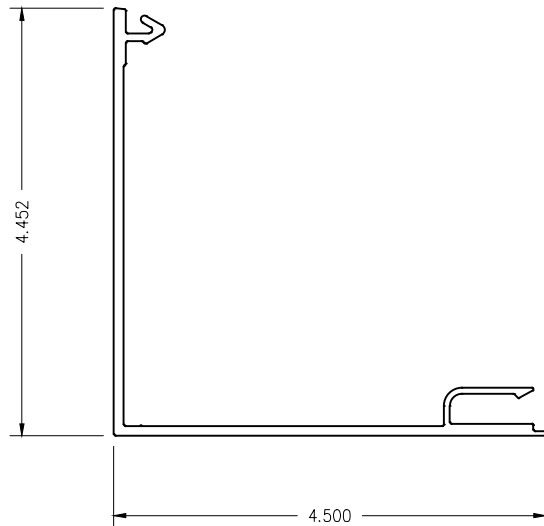
AMERICAN PRODUCTS, INC. (API)  
13909 LYNMAR BOULEVARD  
TAMPA, FL. 33626  
PH: (813) 925-0144  
WWW.AMERICANPRODUCTS.COM  
CONTACT: KERRI BEALS



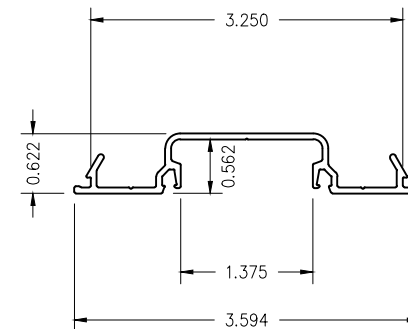
**F20060 - 4-1/2" ONE POCKET CORNER HALF (LEFT)**



**F20065 - 4-1/2" ONE POCKET CORNER HALF (RIGHT)**



**F20075 - 4-1/2" NO POCKET CORNER HALF**



**F20015 - SHALLOW POCKET FILLER**

API RECOMMENDS THAT THIS NOTE APPEAR WITH STOREFRONT ELEVATIONS AND SECTION VIEW DETAILS IN YOUR DRAWINGS

STOREFRONT AND RELATED MATERIALS PROVIDED BY AMERICAN PRODUCTS, INC. (API). NO SUBSTITUTIONS WITHOUT WRITTEN CONSENT FROM STORE OWNER/ARCHITECT. API (813)925-0144

Customer: API IN-HOUSE

Assembly: FLUSH GLAZE FOR 1" GLASS (EXT)

REV#:

DATE:

Drawn By: API CAD

Date: 05/19/2020

Scale: N.T.S.

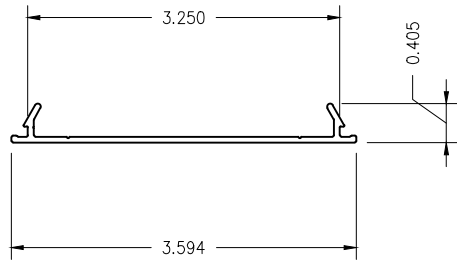
Sheet: 7



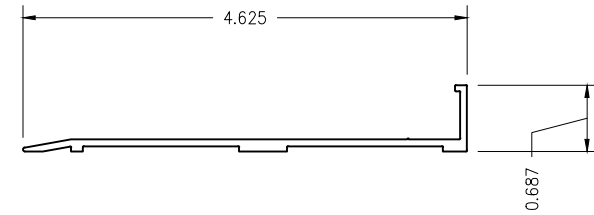
AMERICAN PRODUCTS, INC.

AMERICAN PRODUCTS, INC. (API)  
 13909 LYNMAR BOULEVARD  
 TAMPA, FL. 33626  
 PH: (813) 925-0144  
 WWW.AMERICANPRODUCTS.COM  
 CONTACT: KERRI BEALS

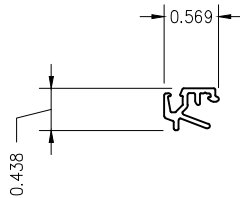




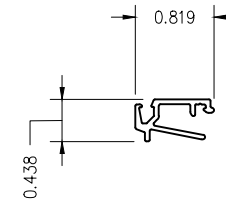
**F20045-4 - 4" FLAT FILLER**



**F20050 - SILL FLASHING (EXTERIOR USE)**



**F50005 - SMALL "SLIDE IN" ADAPTOR**



**F50010 - LARGE "SLIDE IN" ADAPTOR**

API RECOMMENDS THAT THIS NOTE APPEAR WITH STOREFRONT ELEVATIONS AND SECTION VIEW DETAILS IN YOUR DRAWINGS

STOREFRONT AND RELATED MATERIALS PROVIDED BY AMERICAN PRODUCTS, INC. (API). NO SUBSTITUTIONS WITHOUT WRITTEN CONSENT FROM STORE OWNER/ARCHITECT. API (813)925-0144

Customer: API IN-HOUSE

Assembly: FLUSH GLAZE FOR 1" GLASS (EXT)

REV#:

DATE:

Drawn By: API CAD

Date: 05/19/2020

Scale: N.T.S.

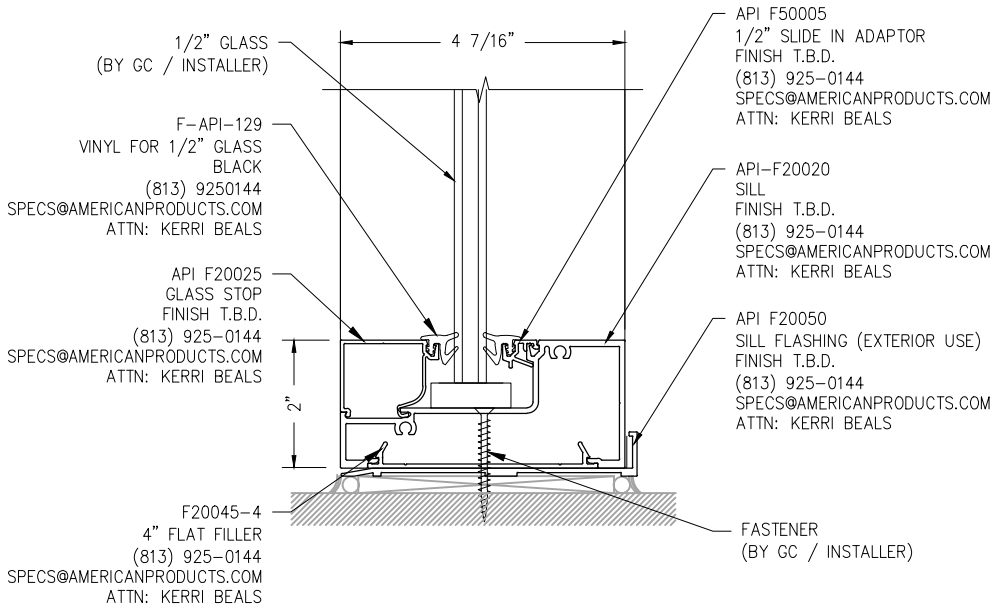
Sheet: 8



AMERICAN PRODUCTS, INC.

AMERICAN PRODUCTS, INC. (API)  
13909 LYNMAR BOULEVARD  
TAMPA, FL. 33626  
PH: (813) 925-0144  
WWW.AMERICANPRODUCTS.COM  
CONTACT: KERRI BEALS

# DETAIL #5



NOTE:  
ADAPTOR TO SLIDE IN PRIOR  
TO FRAME ASSEMBLY/INSTALL.

LARGE "SLIDE IN" ADAPTOR IS  
USED THE SAME WAY.

## SILL ASSEMBLY FOR 1/2" GLASS

### GLAZING GASKET - F2000 SERIES (1" GLAZING)

	1/8"	1/4"	3/8"	1/2"	5/8"	3/4"	7/8"	1"
F-API-129	•			•			•	
F-API-176		•			•			•
F-API-177			•			•		
SMALL "SLIDE IN" ADAPTOR F50005			•	•	•			
LARGE "SLIDE IN" ADAPTOR F50010	•	•						

API RECOMMENDS THAT THIS NOTE APPEAR WITH  
STOREFRONT ELEVATIONS AND SECTION VIEW  
DETAILS IN YOUR DRAWINGS

STOREFRONT AND RELATED MATERIALS PROVIDED  
BY AMERICAN PRODUCTS, INC. (API). NO  
SUBSTITUTIONS WITHOUT WRITTEN CONSENT FROM  
STORE OWNER/ARCHITECT. API (813)925-0144

Customer: API IN-HOUSE

Assembly: FLUSH GLAZE FOR 1" GLASS (EXT)

REV#:

DATE:

Drawn By: API CAD

Date: 05/19/2020

Scale: N.T.S.

Sheet: 9

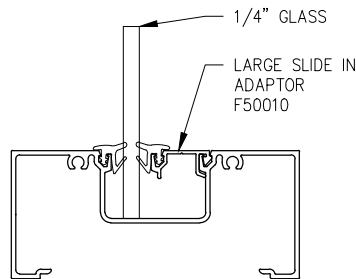
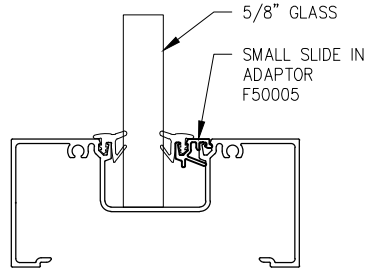
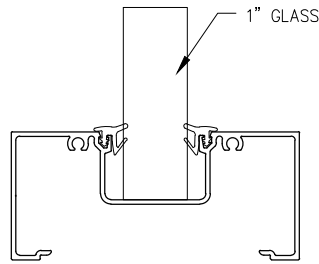


AMERICAN  
PRODUCTS, INC.

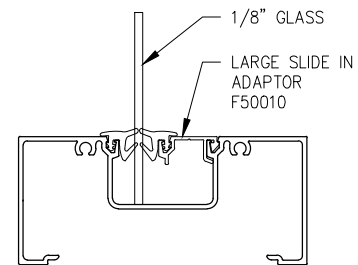
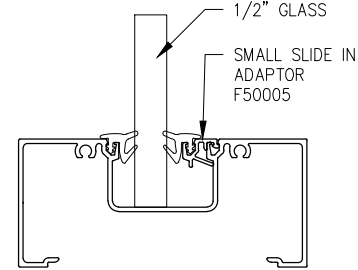
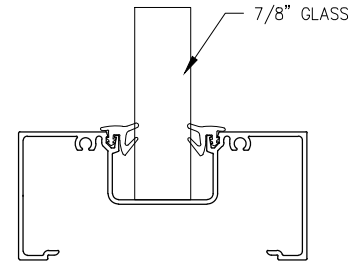
AMERICAN PRODUCTS, INC. (API)  
13909 LYNMAR BOULEVARD  
TAMPA, FL. 33626  
PH: (813) 925-0144  
WWW.AMERICANPRODUCTS.COM  
CONTACT: KERRI BEALS

GLASS SIZE - 1-3/8" POCKET								
	1"	7/8"	3/4"	5/8"	1/2"	3/8"	1/4"	1/8"
F-API-176	•			•			•	
F-API-129		•			•			•
F-API-177			•			•		
SMALL "SLIDE IN" ADAPTOR F50005				•	•	•		
LARGE "SLIDE IN" ADAPTOR F50010							•	•
GLASS IN FILL : ANY OF ABOVE								
POCKET SIZE : 1.375"								
SMALL ADAPTOR : .373					.375 = F-API-176			
LARGE ADAPTOR : .750					.500 = F-API-129			
FORMULA:								
POCKET WIDTH - 1.375"					.625 = F-API-177			
LESS IN FILL -								
= GASKET IN FILL -								

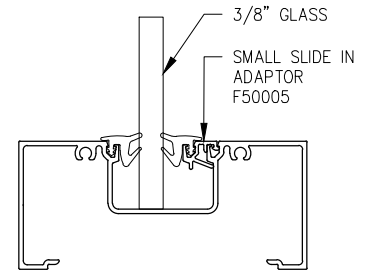
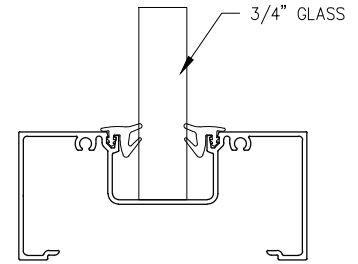
### F-API-176



### F-API-129



### F-API-177



API RECOMMENDS THAT THIS NOTE APPEAR WITH STOREFRONT ELEVATIONS AND SECTION VIEW DETAILS IN YOUR DRAWINGS

STOREFRONT AND RELATED MATERIALS PROVIDED BY AMERICAN PRODUCTS, INC. (API). NO SUBSTITUTIONS WITHOUT WRITTEN CONSENT FROM STORE OWNER/ARCHITECT. API (813)925-0144

Customer: API IN-HOUSE

Assembly: FLUSH GLAZE FOR 1" GLASS (EXT)

REV#:

DATE:

Drawn By: API CAD

Date: 05/19/2020

Scale: N.T.S.

Sheet: 10



AMERICAN PRODUCTS, INC. (API)  
13909 LYNMAR BOULEVARD  
TAMPA, FL. 33626  
PH: (813) 925-0144  
WWW.AMERICANPRODUCTS.COM  
CONTACT: KERRI BEALS