

AMERICAN PRODUCTS, INC (API)

**F2100 SYSTEM  
FOR 1/2" GLASS**

**LIST OF PARTS**

PART #	DESCRIPTION
F21210	HEAD / JAMB, 24' S/L
F21220	HORIZONTAL / SILL, 24' S/L
F21280	6" SILL, 24' S/L
F21225	GLASS STOP, 24' S/L
F21260	4-1/2" ONE POCKET CORNER HALF (LEFT), 24' S/L
F21265	4-1/2" ONE POCKET CORNER HALF (RIGHT), 24' S/L
F20075	4-1/2" NO POCKET CORNER HALF, 24' S/L
F21215	SHALLOW POCKET FILLER, 24' S/L
F20045	FLAT FILLER
F20050	SILL FLASHING, 24' S/L
F50005	SMALL "SLIDE IN" ADAPTOR, 24' S/L

\* NO ADAPTOR NEEDED FOR 1/2" GLASS

**AVAILABLE FINISHES**

FINISH API / US	DESCRIPTION
1101 US28	CLEAR ANODIZED
1801 US 313	DARK BRONZE ANODIZED
CLAD US32D #4	BRUSHED STAINLESS STEEL
CLAD US32 #8	POLISHED STAINLESS

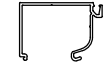
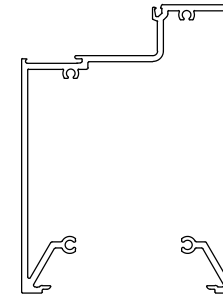
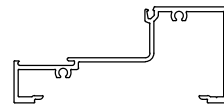
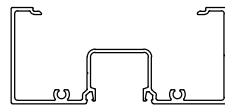
**CUSTOM POWDER COAT**

CUSTOM COLORS UPON REQUEST.

**BASIC ORDERING INFORMATION:**

(PART #)-(FINISH CODE)  
EXAMPLE : F20075-1101

GLASS CALCULATIONS: DLO +3/4"

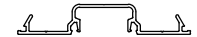
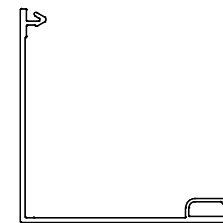
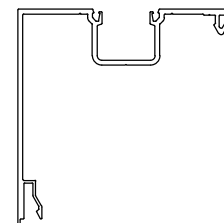
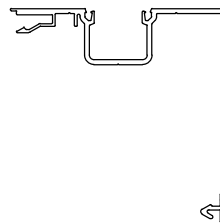


F21210

F21220

F21280

F21225



F21260

F21265

F20075

F21215



ALSO AVAILABLE IN  
4" PIECES - F20045-4

F20045

F20050

F50005

NOTE: ADAPTOR TO SLIDE IN  
PRIOR TO FRAME ASSEMBLY  
/ INSTALL.

API RECOMMENDS THAT THIS NOTE APPEAR WITH  
STOREFRONT ELEVATIONS AND SECTION VIEW  
DETAILS IN YOUR DRAWINGS

STOREFRONT AND RELATED MATERIALS PROVIDED  
BY AMERICAN PRODUCTS, INC. (API). NO  
SUBSTITUTIONS WITHOUT WRITTEN CONSENT FROM  
STORE OWNER/ARCHITECT. API (813)925-0144

Customer: API IN-HOUSE

Assembly: FLUSH GLAZE FOR 1/2" GLASS (INT) REV#: DATE:

Drawn By: API CAD

Date: 05/19/2020

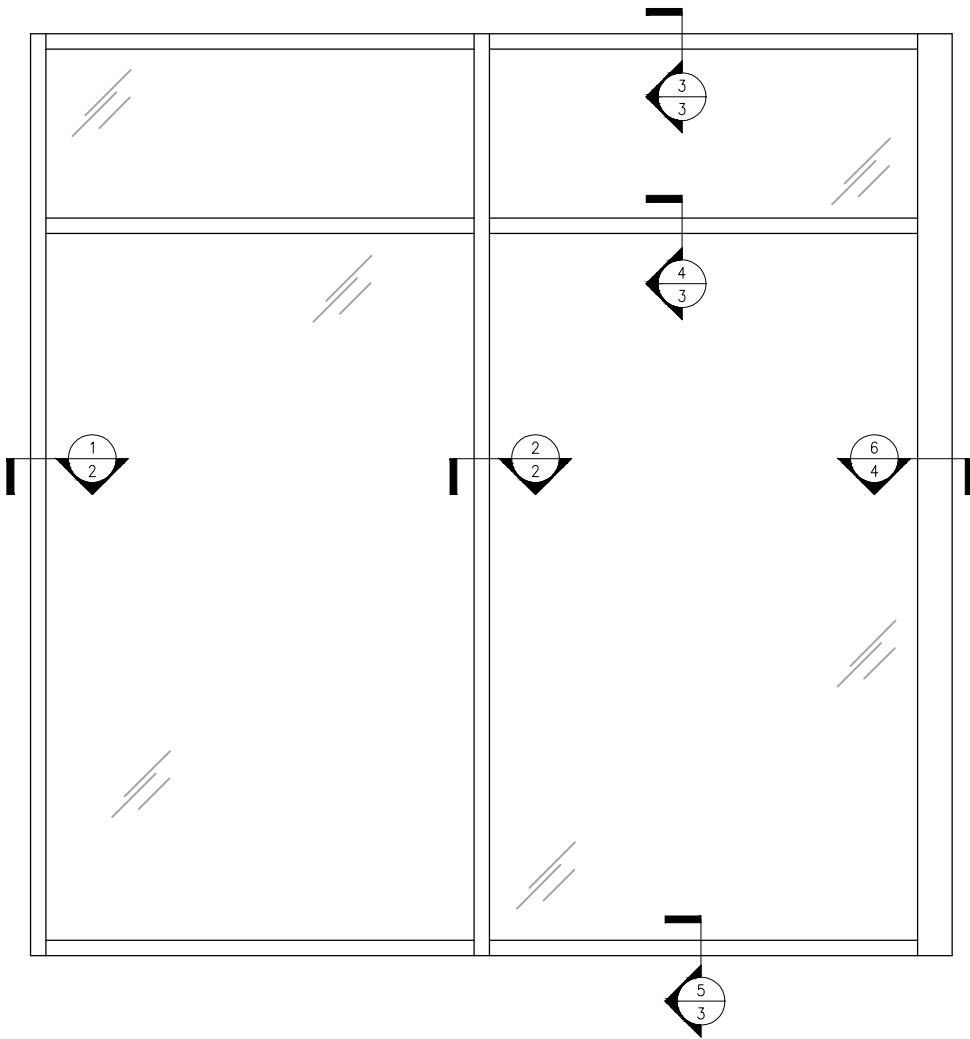
Scale: N.T.S.

Sheet: COVER

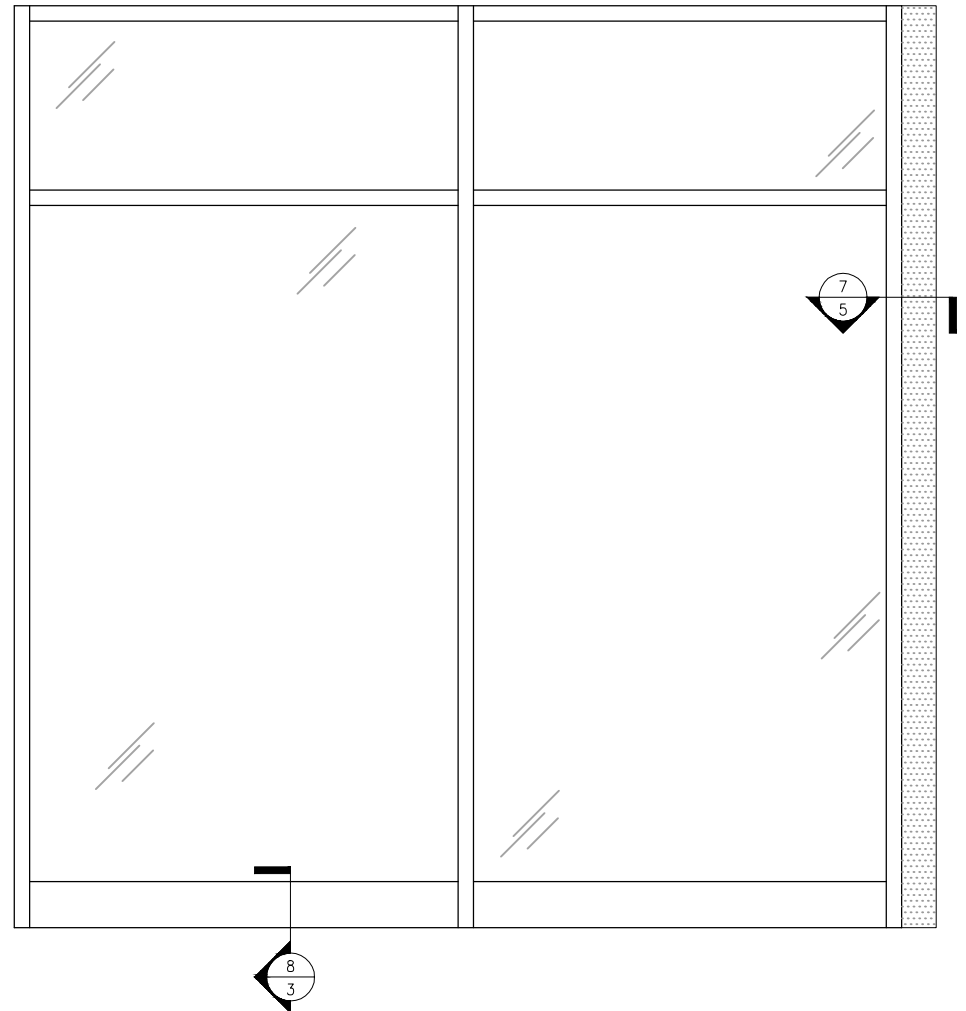


AMERICAN  
PRODUCTS, INC.

AMERICAN PRODUCTS, INC. (API)  
13909 LYNMAR BOULEVARD  
TAMPA, FL. 33626  
PH: (813) 925-0144  
WWW.AMERICANPRODUCTS.COM  
CONTACT: KERRI BEALS



**ELEVATION**  
W/ 4-1/2" CORNER ASSEMBLY



**ELEVATION**  
W/ STRUCTURAL COLUMN BY OTHERS

API RECOMMENDS THAT THIS NOTE APPEAR WITH STOREFRONT ELEVATIONS AND SECTION VIEW DETAILS IN YOUR DRAWINGS

STOREFRONT AND RELATED MATERIALS PROVIDED BY AMERICAN PRODUCTS, INC. (API). NO SUBSTITUTIONS WITHOUT WRITTEN CONSENT FROM STORE OWNER/ARCHITECT. API (813)925-0144

Customer: API IN-HOUSE

Assembly: FLUSH GLAZE FOR 1/2" GLASS (INT) REV#: DATE:

Drawn By: API CAD

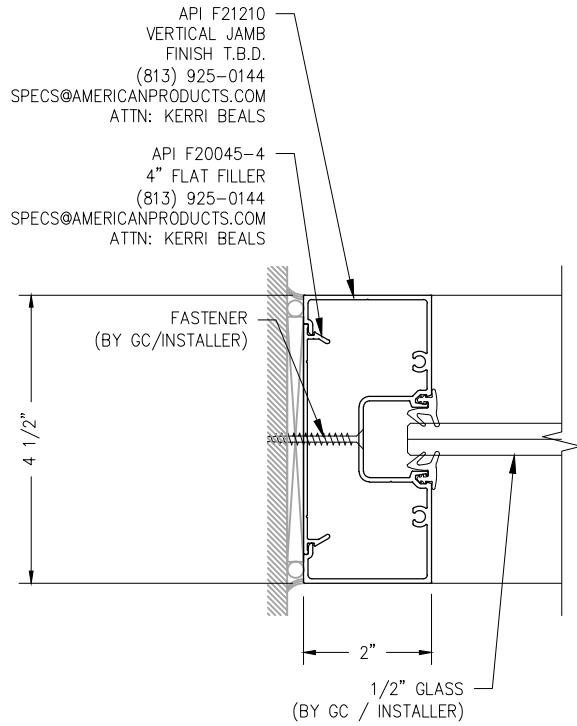
Date: 05/19/2020

Scale: N.T.S.

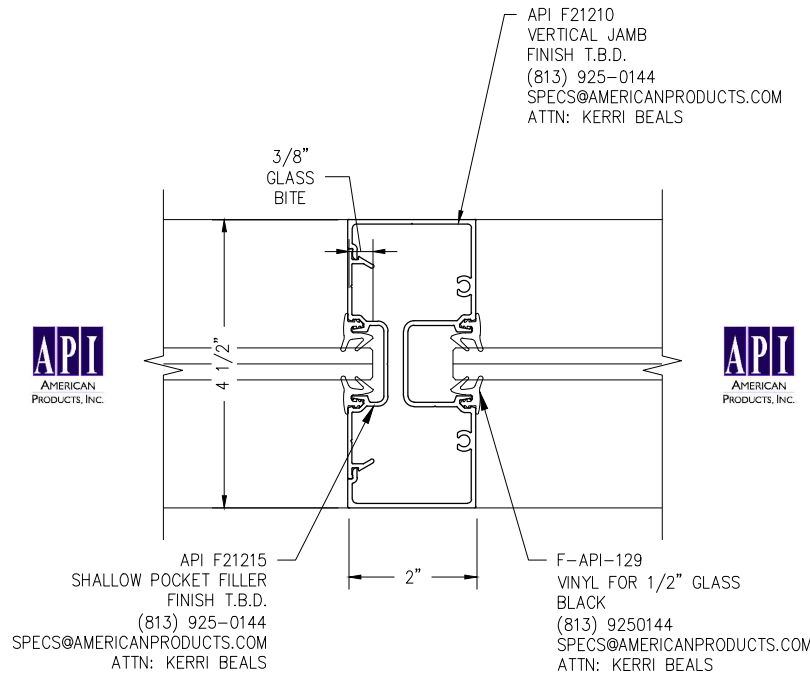
Sheet: 1



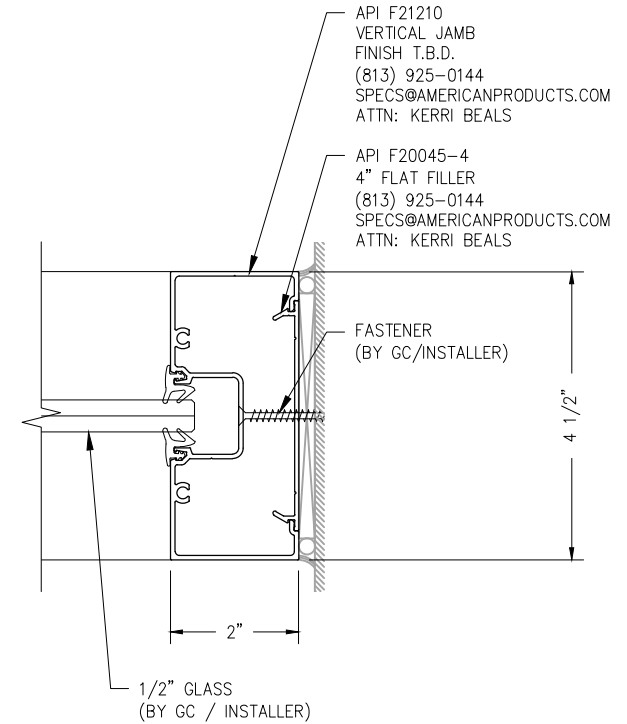
AMERICAN PRODUCTS, INC. (API)  
13909 LYNMAR BOULEVARD  
TAMPA, FL. 33626  
PH: (813) 925-0144  
WWW.AMERICANPRODUCTS.COM  
CONTACT: KERRI BEALS



**DETAIL #1**



**DETAIL #2**



**DETAIL #1**

**PLAN SECTION WITH INTERMEDIATE VERTICAL**

API RECOMMENDS THAT THIS NOTE APPEAR WITH STOREFRONT ELEVATIONS AND SECTION VIEW DETAILS IN YOUR DRAWINGS

STOREFRONT AND RELATED MATERIALS PROVIDED BY AMERICAN PRODUCTS, INC. (API). NO SUBSTITUTIONS WITHOUT WRITTEN CONSENT FROM STORE OWNER/ARCHITECT. API (813)925-0144

Customer: API IN-HOUSE

Assembly: FLUSH GLAZE FOR 1/2" GLASS (INT) REV#: DATE:

Drawn By: API CAD

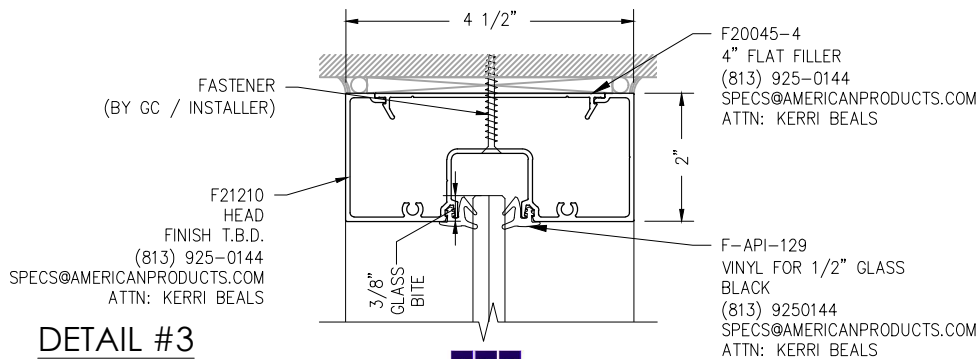
Date: 05/19/2020

Scale: N.T.S.

Sheet: 2

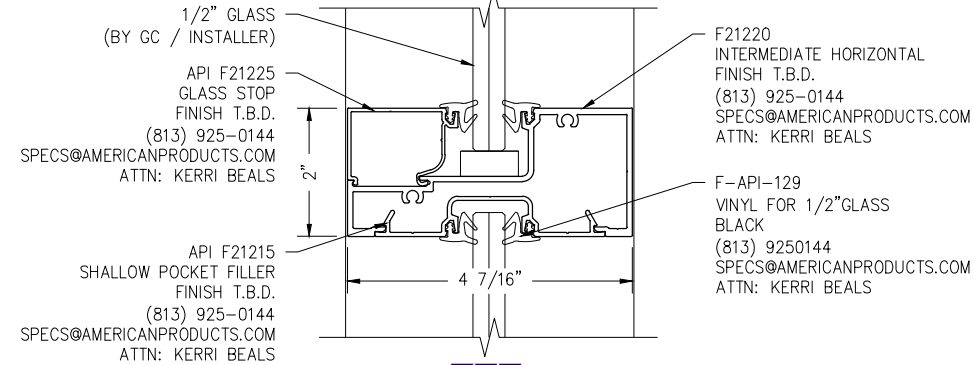


AMERICAN PRODUCTS, INC. (API)  
13909 LYNMAR BOULEVARD  
TAMPA, FL. 33626  
PH: (813) 925-0144  
WWW.AMERICANPRODUCTS.COM  
CONTACT: KERRI BEALS

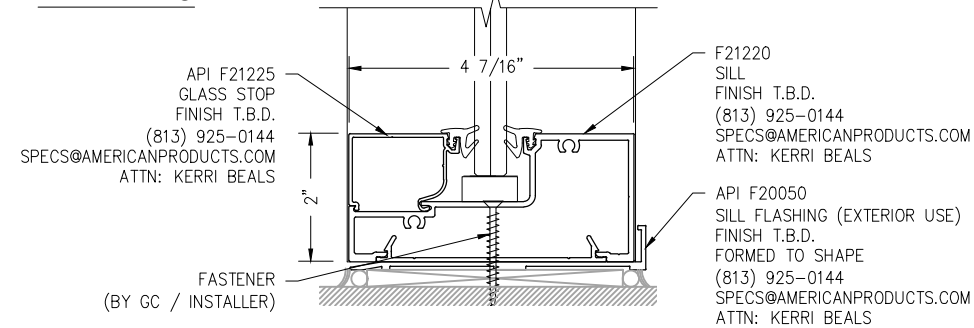


**DETAIL #3**

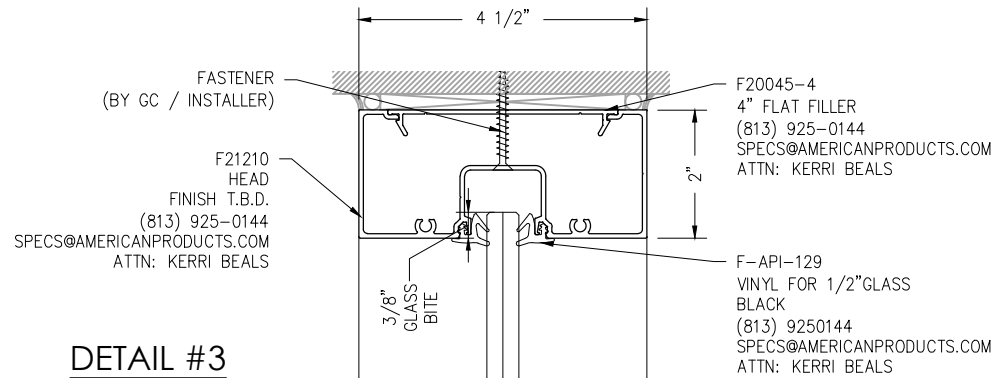
**DETAIL #4**



**DETAIL #5**

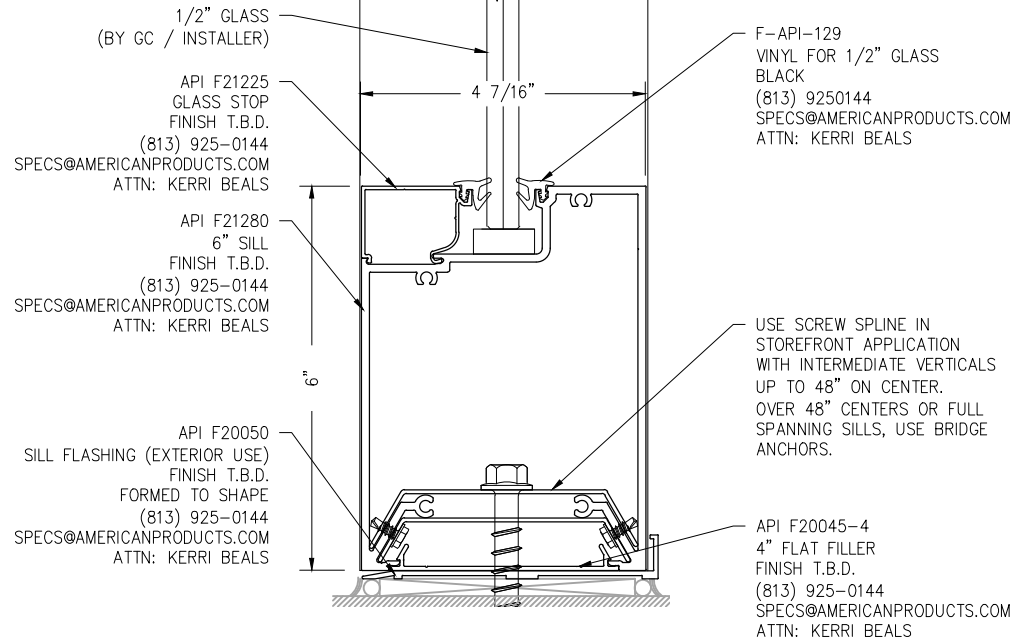


**VERTICAL SECTION WITH INTERMEDIATE HORIZONTAL**



**DETAIL #3**

**DETAIL #8**



**VERTICAL SECTION WITH 6" SILL**

API RECOMMENDS THAT THIS NOTE APPEAR WITH STOREFRONT ELEVATIONS AND SECTION VIEW DETAILS IN YOUR DRAWINGS

STOREFRONT AND RELATED MATERIALS PROVIDED BY AMERICAN PRODUCTS, INC. (API). NO SUBSTITUTIONS WITHOUT WRITTEN CONSENT FROM STORE OWNER/ARCHITECT. API (813)925-0144

Customer: API IN-HOUSE

Assembly: FLUSH GLAZE FOR 1/2" GLASS (INT) REV#: DATE:

Drawn By: API CAD

Date: 05/19/2020

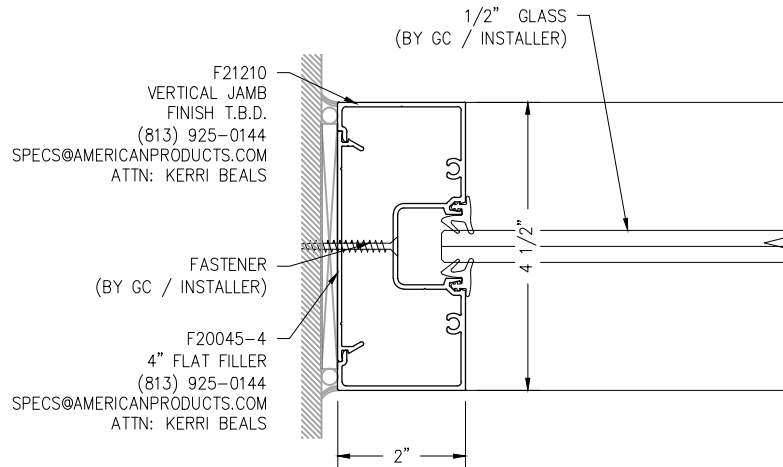
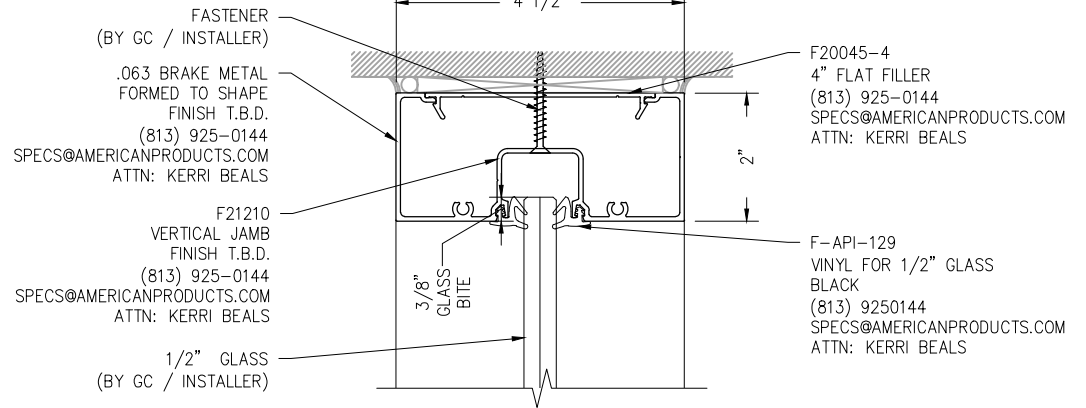
Scale: N.T.S.

Sheet: 3

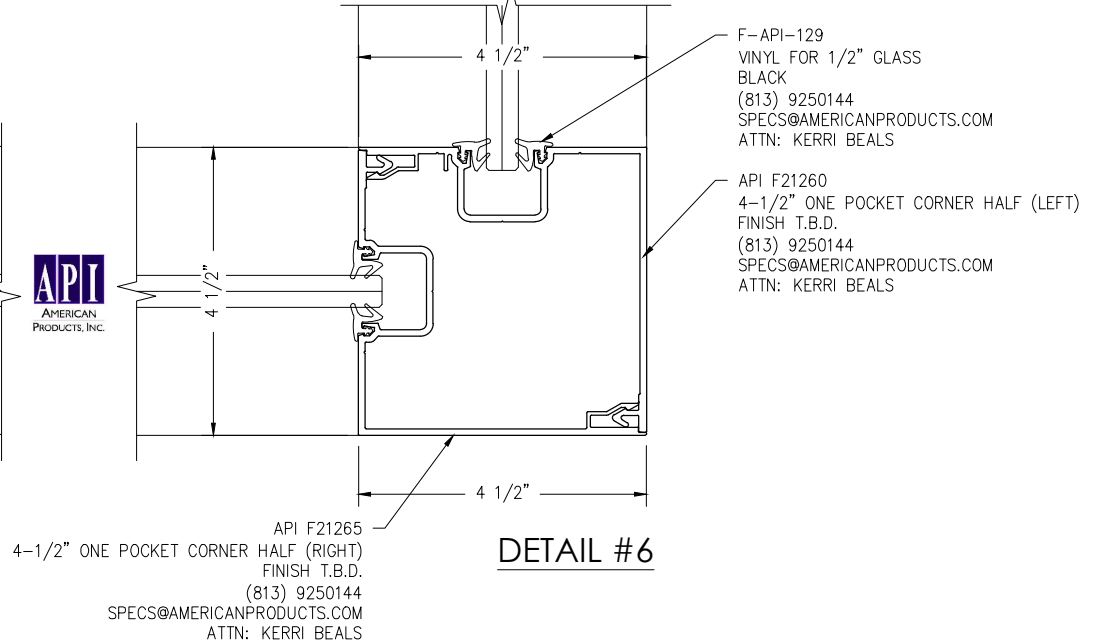


AMERICAN PRODUCTS, INC. (API)  
13909 LYNMAR BOULEVARD  
TAMPA, FL. 33626  
PH: (813) 925-0144  
WWW.AMERICANPRODUCTS.COM  
CONTACT: KERRI BEALS

**DETAIL #1**



**DETAIL #1**



**DETAIL #6**

**PLAN SECTION WITH 4-1/2" CORNER ASSEMBLY**

API RECOMMENDS THAT THIS NOTE APPEAR WITH STOREFRONT ELEVATIONS AND SECTION VIEW DETAILS IN YOUR DRAWINGS

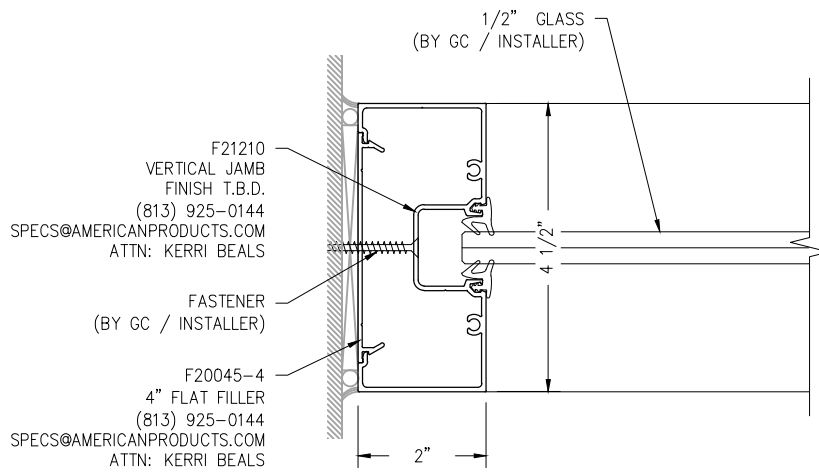
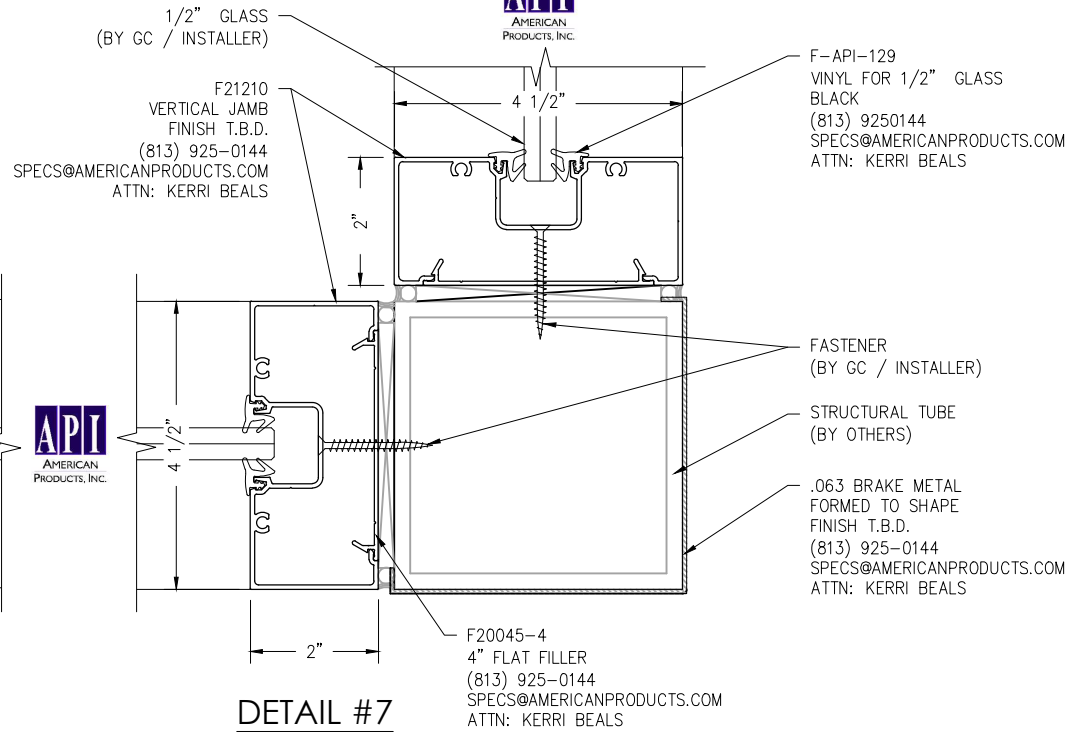
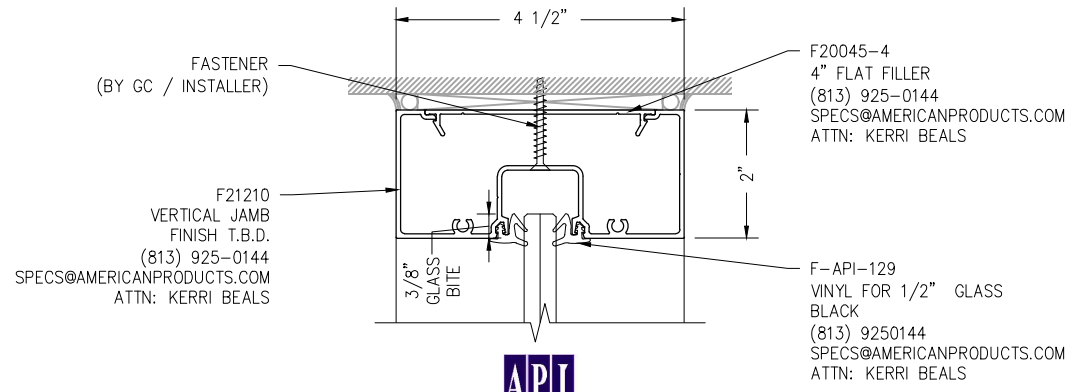
STOREFRONT AND RELATED MATERIALS PROVIDED BY AMERICAN PRODUCTS, INC. (API). NO SUBSTITUTIONS WITHOUT WRITTEN CONSENT FROM STORE OWNER/ARCHITECT. API (813)925-0144

Customer: API IN-HOUSE		
Assembly: FLUSH GLAZE FOR 1/2" GLASS (INT)	REV#:	DATE:
Drawn By: API CAD		
Date: 05/19/2020		
Scale: N.T.S.	Sheet: 4	



AMERICAN PRODUCTS, INC. (API)  
13909 LYNMAR BOULEVARD  
TAMPA, FL. 33626  
PH: (813) 925-0144  
WWW.AMERICANPRODUCTS.COM  
CONTACT: KERRI BEALS

**DETAIL #1**



**DETAIL #1**

**DETAIL #7**

**PLAN SECTION WITH STRUCTURAL COLUMN (BY OTHERS)**

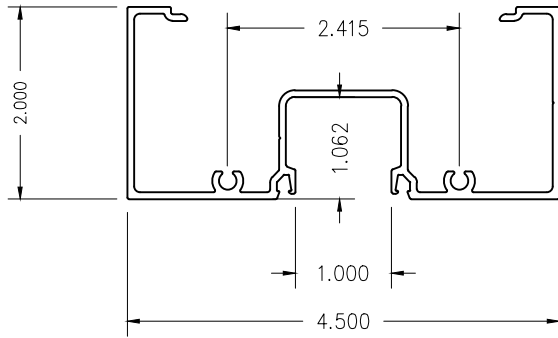
API RECOMMENDS THAT THIS NOTE APPEAR WITH STOREFRONT ELEVATIONS AND SECTION VIEW DETAILS IN YOUR DRAWINGS

STOREFRONT AND RELATED MATERIALS PROVIDED BY AMERICAN PRODUCTS, INC. (API). NO SUBSTITUTIONS WITHOUT WRITTEN CONSENT FROM STORE OWNER/ARCHITECT. API (813)925-0144

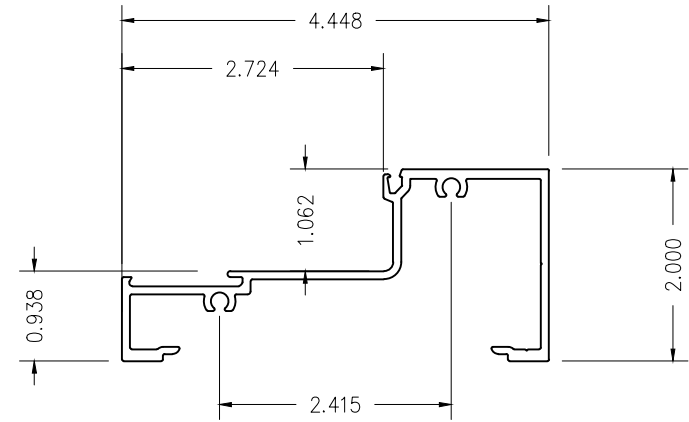
Customer: API IN-HOUSE		
Assembly: FLUSH GLAZE FOR 1/2" GLASS (INT)	REV#:	DATE:
Drawn By: API CAD		
Date: 05/19/2020		
Scale: N.T.S.	Sheet: 5	



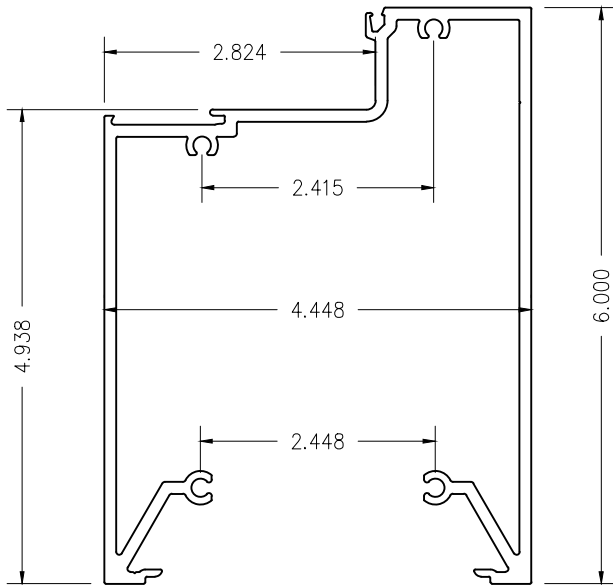
AMERICAN PRODUCTS, INC. (API)  
13909 LYNMAR BOULEVARD  
TAMPA, FL. 33626  
PH: (813) 925-0144  
WWW.AMERICANPRODUCTS.COM  
CONTACT: KERRI BEALS



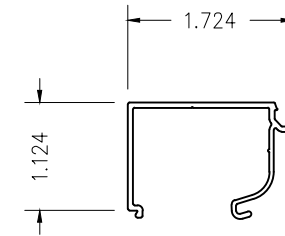
**F21210 - HEAD / JAMB**



**F21220 - HORIZONTAL / SIILL**



**F21280 - 6" SILL**



**F21225 - GLASS STOP**

API RECOMMENDS THAT THIS NOTE APPEAR WITH STOREFRONT ELEVATIONS AND SECTION VIEW DETAILS IN YOUR DRAWINGS

STOREFRONT AND RELATED MATERIALS PROVIDED BY AMERICAN PRODUCTS, INC. (API). NO SUBSTITUTIONS WITHOUT WRITTEN CONSENT FROM STORE OWNER/ARCHITECT. API (813)925-0144

Customer: API IN-HOUSE

Assembly: FLUSH GLAZE FOR 1/2" GLASS (INT) REV#: DATE:

Drawn By: API CAD

Date: 05/19/2020

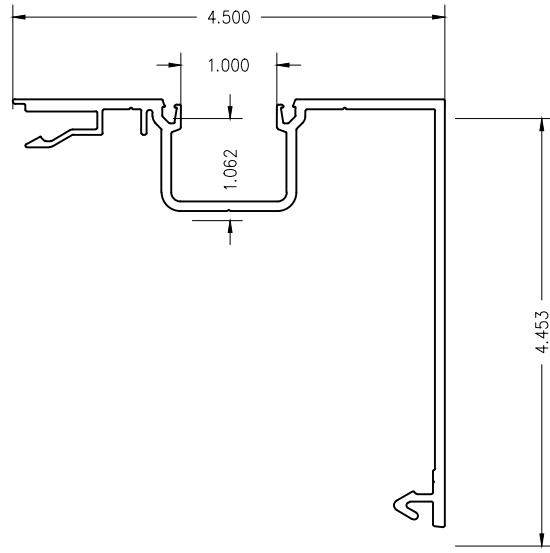
Scale: N.T.S.

Sheet: 6

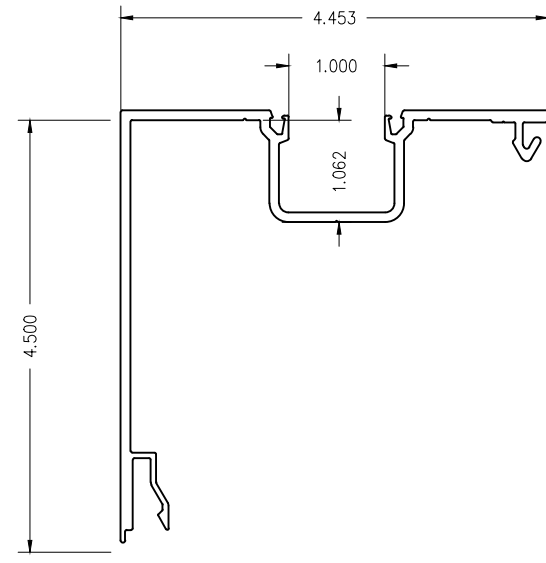


AMERICAN PRODUCTS, INC.

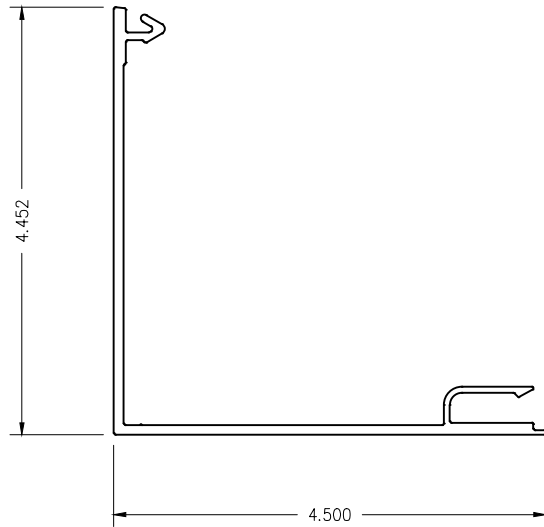
AMERICAN PRODUCTS, INC. (API)  
13909 LYNMAR BOULEVARD  
TAMPA, FL. 33626  
PH: (813) 925-0144  
WWW.AMERICANPRODUCTS.COM  
CONTACT: KERRI BEALS



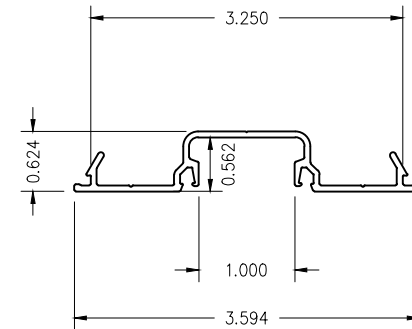
**F21260 - CORNER POST (LEFT)**



**F21265 - CORNER POST (RIGHT)**



**F20075 - SLICK CORNER**



**F21215 - SHALLOW POCKET FILLER**

API RECOMMENDS THAT THIS NOTE APPEAR WITH STOREFRONT ELEVATIONS AND SECTION VIEW DETAILS IN YOUR DRAWINGS

STOREFRONT AND RELATED MATERIALS PROVIDED BY AMERICAN PRODUCTS, INC. (API). NO SUBSTITUTIONS WITHOUT WRITTEN CONSENT FROM STORE OWNER/ARCHITECT. API (813)925-0144

Customer: API IN-HOUSE

Assembly: FLUSH GLAZE FOR 1/2" GLASS (INT) REV#: DATE:

Drawn By: API CAD

Date: 05/19/2020

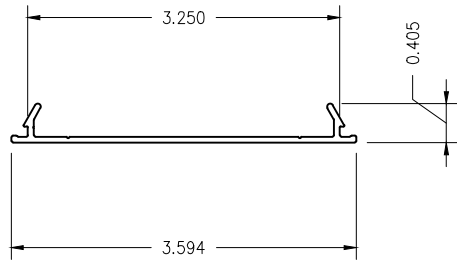
Scale: N.T.S.

Sheet: 7

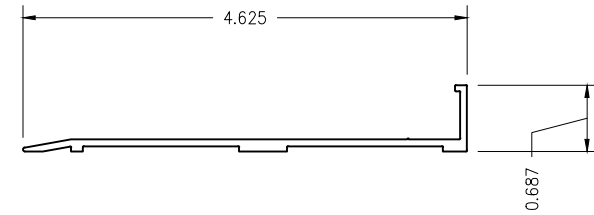


AMERICAN PRODUCTS, INC. (API)  
13909 LYNMAR BOULEVARD  
TAMPA, FL. 33626  
PH: (813) 925-0144  
WWW.AMERICANPRODUCTS.COM  
CONTACT: KERRI BEALS

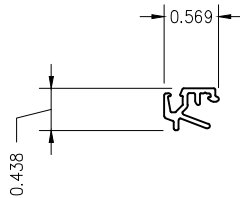




**F20045-4 - 4" FLAT FILLER**



**F20050 - SILL FLASHING (EXTERIOR USE)**



**F50005 - SMALL "SLIDE IN" ADAPTOR**

API RECOMMENDS THAT THIS NOTE APPEAR WITH STOREFRONT ELEVATIONS AND SECTION VIEW DETAILS IN YOUR DRAWINGS

STOREFRONT AND RELATED MATERIALS PROVIDED BY AMERICAN PRODUCTS, INC. (API). NO SUBSTITUTIONS WITHOUT WRITTEN CONSENT FROM STORE OWNER/ARCHITECT. API (813)925-0144

Customer: API IN-HOUSE

Assembly: FLUSH GLAZE FOR 1/2" GLASS (INT) REV#: DATE:

Drawn By: API CAD

Date: 05/19/2020

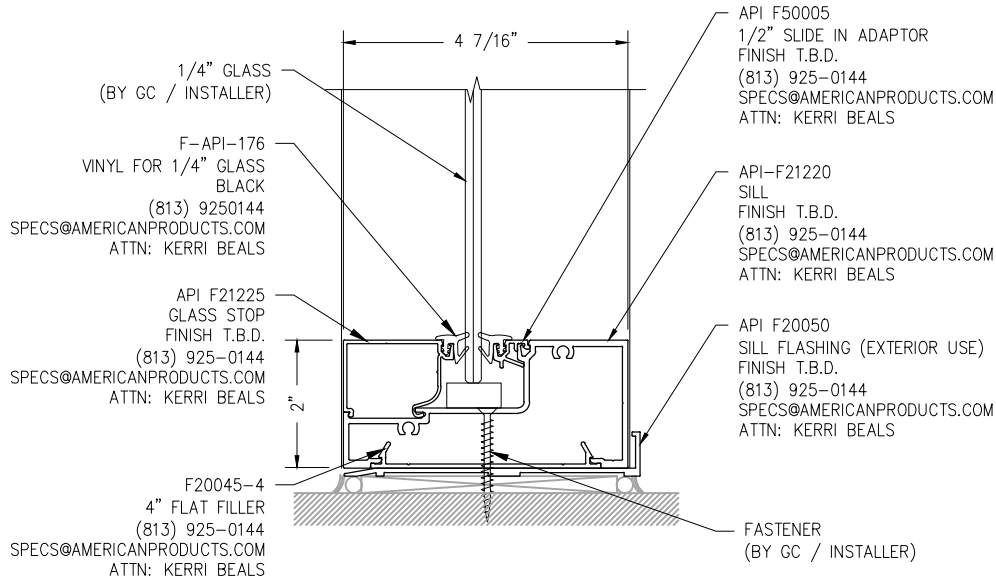
Scale: N.T.S. Sheet: 8



AMERICAN PRODUCTS, INC.

AMERICAN PRODUCTS, INC. (API)  
13909 LYNMAR BOULEVARD  
TAMPA, FL. 33626  
PH: (813) 925-0144  
WWW.AMERICANPRODUCTS.COM  
CONTACT: KERRI BEALS

# DETAIL #5



NOTE:  
ADAPTOR TO SLIDE IN PRIOR  
TO FRAME ASSEMBLY/INSTALL.

## SILL ASSEMBLY FOR 1/4" GLASS

GLAZING GASKET -F2100 SERIES (1/2" GLAZING)				
	1/4"	3/8"	1/2"	5/8"
F-API-129			•	
F-API-176	•			•
F-API-177		•		
SMALL "SLIDE IN" ADAPTOR F50005	•			

API RECOMMENDS THAT THIS NOTE APPEAR WITH  
STOREFRONT ELEVATIONS AND SECTION VIEW  
DETAILS IN YOUR DRAWINGS

STOREFRONT AND RELATED MATERIALS PROVIDED  
BY AMERICAN PRODUCTS, INC. (API). NO  
SUBSTITUTIONS WITHOUT WRITTEN CONSENT FROM  
STORE OWNER/ARCHITECT. API (813)925-0144

Customer: API IN-HOUSE

Assembly: FLUSH GLAZE FOR 1/2" GLASS (INT) REV#: DATE:

Drawn By: API CAD

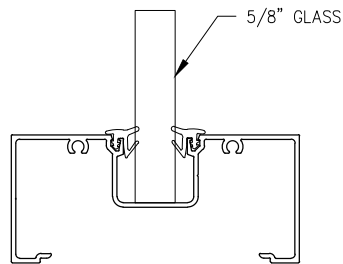
Date: 05/19/2020

Scale: N.T.S. Sheet: 9

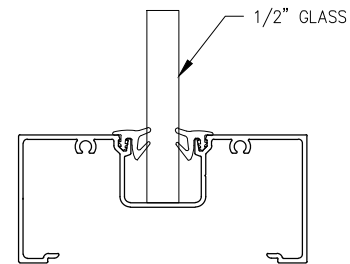


AMERICAN PRODUCTS, INC. (API)  
13909 LYNMAR BOULEVARD  
TAMPA, FL. 33626  
PH: (813) 925-0144  
WWW.AMERICANPRODUCTS.COM  
CONTACT: KERRI BEALS

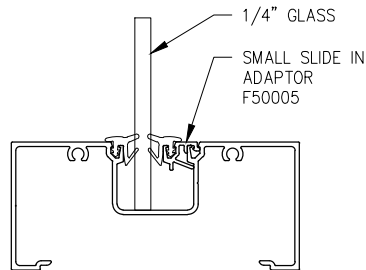
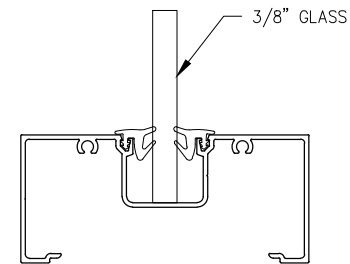
**F-API-176**



**F-API-129**



**F-API-177**



**GLASS SIZE - 1" POCKET**

	1/4"	3/8"	1/2"	5/8"
F-API-176	•			•
F-API-129			•	
F-API-177		•		
SMALL "SLIDE IN" ADAPTOR F50005	•			
GLASS IN FILL : ANY OF ABOVE POCKET SIZE : 1" SMALL ADAPTOR : .373 LARGE ADAPTOR : .750		.375 = F-API-176 .500 = F-API-129 .625 = F-API-177		
FORMULA: POCKET WIDTH - 1" LESS IN FILL - = GASKET IN FILL -				

API RECOMMENDS THAT THIS NOTE APPEAR WITH STOREFRONT ELEVATIONS AND SECTION VIEW DETAILS IN YOUR DRAWINGS

STOREFRONT AND RELATED MATERIALS PROVIDED BY AMERICAN PRODUCTS, INC. (API). NO SUBSTITUTIONS WITHOUT WRITTEN CONSENT FROM STORE OWNER/ARCHITECT. API (813)925-0144

Customer: API IN-HOUSE

Assembly: FLUSH GLAZE FOR 1/2" GLASS (INT) REV#: DATE:

Drawn By: API CAD

Date: 05/19/2020

Scale: N.T.S.

Sheet: 10



AMERICAN PRODUCTS, INC. (API)  
13909 LYNMAR BOULEVARD  
TAMPA, FL. 33626  
PH: (813) 925-0144  
WWW.AMERICANPRODUCTS.COM  
CONTACT: KERRI BEALS