

GLASWAL SYSTEM

LIST OF PARTS

<u>PART #</u>	<u>DESCRIPTION</u>
G10011	1" x 1" SILL / HEADER
G10012	1" x 1" SILL / HEADER
G20015	1" x 1-1/2" HEADER
G10075	2" x 1-3/4" HEADER
G100235	2" x 3-1/2" HEADER / JAMB
G10076	2" H-CHANNEL
G10076S	H-CHANNEL STOP
G10024	2" x 4" SILL BASE
G10026	2" x 6" SILL BASE
G10028	2" x 8" STACKED BASE
G100210	2" x 10" STACKED BASE
G100212	2" x 12" STACKED BASE

AVAILABLE FINISHES


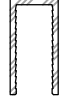
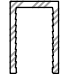
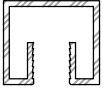
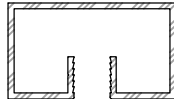
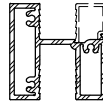

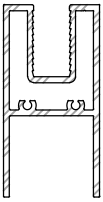
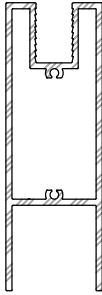
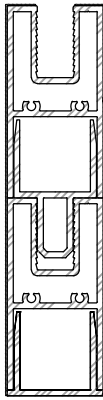
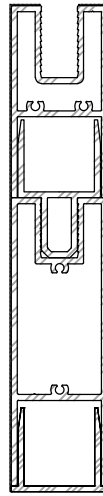
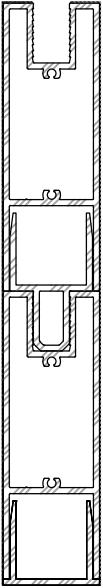
<u>FINISH API / US</u>		<u>DESCRIPTION</u>
1000	US28	CLEAR ANODIZED
1801	US 313	DARK BRONZE ANODIZED
CLAD	US32D #4	BRUSHED STAINLESS STEEL
CLAD	US32 #8	POLISHED STAINLESS

CUSTOM POWDER COAT

CUSTOM FINISHES UPON REQUEST, INCLUDING POWDER COAT, KYNAR, & CUSTOM CLADDED FINISHES.

BASIC ORDERING INFORMATION:

(PART #)-(FINISH CODE)
EXAMPLE : F20075-1101

			
G10011	G10012	G10015	G10075
			
G100235	G10076	G10076S	G10024
			
G10026	G10028	G100210	G100212

API RECOMMENDS THAT THIS NOTE APPEAR WITH STOREFRONT ELEVATIONS AND SECTION VIEW DETAILS IN YOUR DRAWINGS

STOREFRONT AND RELATED MATERIALS PROVIDED BY AMERICAN PRODUCTS, INC. (API). NO SUBSTITUTIONS WITHOUT WRITTEN CONSENT FROM STORE OWNER/ARCHITECT. API (813)925-0144

Customer: API IN-HOUSE			
Assembly: GLASWAL	REV#:	DATE:	
Drawn By: API CAD			
Date: 04/23/2020			
Scale: N.T.S.	Sheet: 1		

 AMERICAN PRODUCTS, INC.	AMERICAN PRODUCTS, INC. (API)
	13909 LYNMAR BOULEVARD
	TAMPA, FL. 33626
	PH: (813) 925-0144
	WWW.AMERICANPRODUCTS.COM
	CONTACT: KERRI BEALS

GLASWAL SYSTEM

LIST OF PARTS

PART #	DESCRIPTION
G10022	SILL ANCHOR
G10023	INTERMEDIATE ANCHOR
G13415	1-1/4" x 1-1/2" HEADER
G13475	2" x 1-3/4" x HEADER
G13476	2" x 2" H-CHANNEL
G13476S	H-CHANNEL STOP
G134235	3-1/2" x 2" HEADER
G13424	2" x 4" SILL BASE
G13426	2" x 6" SILL BASE
G13428	2" x 8" SILL BASE
G134210	2" x 10" SILL BASE
G134212	2" x 12" SILL BASE

AVAILABLE FINISHES

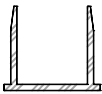
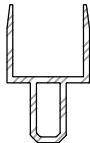
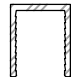
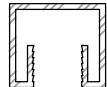
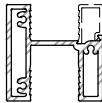

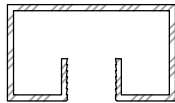
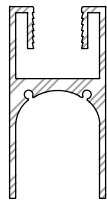
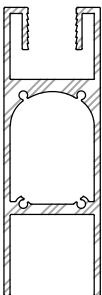
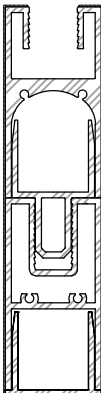
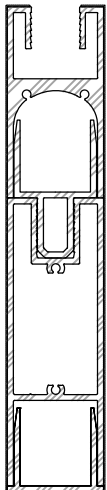
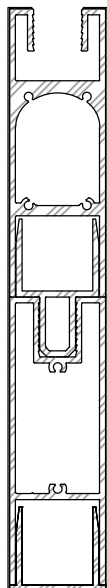
FINISH API / US		DESCRIPTION
1000	US28	CLEAR ANODIZED
1801	US 313	DARK BRONZE ANODIZED
CLAD	US32D #4	BRUSHED STAINLESS STEEL
CLAD	US32 #8	POLISHED STAINLESS

CUSTOM POWDER COAT

CUSTOM FINISHES UPON REQUEST, INCLUDING POWDER COAT, KYNAR, & CUSTOM CLADDED FINISHES.

BASIC ORDERING INFORMATION:

(PART #)-(FINISH CODE)
EXAMPLE : F20075-1101

			
G10022	G10023	G13415	G13475
			
G13476	G13476S	G134235	G13424
			
G13426	G13428	G134210	G134212

API RECOMMENDS THAT THIS NOTE APPEAR WITH STOREFRONT ELEVATIONS AND SECTION VIEW DETAILS IN YOUR DRAWINGS

STOREFRONT AND RELATED MATERIALS PROVIDED BY AMERICAN PRODUCTS, INC. (API). NO SUBSTITUTIONS WITHOUT WRITTEN CONSENT FROM STORE OWNER/ARCHITECT. API (813)925-0144

Customer: API IN-HOUSE		
Assembly: GLASWAL	REV#:	DATE:
Drawn By: API CAD		
Date: 04/23/2020		
Scale: N.T.S.	Sheet: 2	

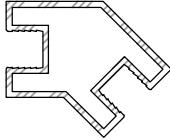


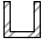
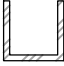



 AMERICAN PRODUCTS, INC.	AMERICAN PRODUCTS, INC. (API)
	13909 LYNMAR BOULEVARD
	TAMPA, FL. 33626
	PH: (813) 925-0144
	WWW.AMERICANPRODUCTS.COM
	CONTACT: KERRI BEALS

AMERICAN PRODUCTS, INC (API)

GLASWAL SYSTEM

LIST OF PARTS

PART #	DESCRIPTION
G10135	2" x 2" 135° CHANNEL
G10055	1/2" x 1/2" REVEAL
G10058	5/8" x 5/8" REVEAL
G10034	3/4" x 3/4" REVEAL
G134125	1-1/4" x 1-1/4" REVEAL
G30050	GASKET FOR 1/2" GLASS
G30038	GASKET FOR 3/8" GLASS
G30025	GASKET FOR 1/4" GLASS

			
G10135	G10055	G10058	G10034
			
G134125	G30050	G30038	G30025

AVAILABLE FINISHES

FINISH API / US		DESCRIPTION
1000	US28	CLEAR ANODIZED
1801	US 313	DARK BRONZE ANODIZED
CLAD	US32D #4	BRUSHED STAINLESS STEEL
CLAD	US32 #8	POLISHED STAINLESS

CUSTOM POWDER COAT

CUSTOM FINISHES UPON REQUEST, INCLUDING POWDER COAT, KYNAR, & CUSTOM CLADDED FINISHES.

BASIC ORDERING INFORMATION:

(PART #)-(FINISH CODE)
EXAMPLE : F20075-1101

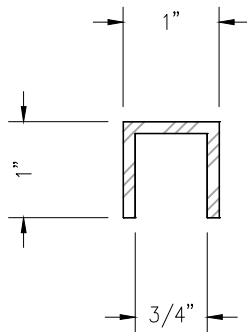
API RECOMMENDS THAT THIS NOTE APPEAR WITH STOREFRONT ELEVATIONS AND SECTION VIEW DETAILS IN YOUR DRAWINGS

STOREFRONT AND RELATED MATERIALS PROVIDED BY AMERICAN PRODUCTS, INC. (API). NO SUBSTITUTIONS WITHOUT WRITTEN CONSENT FROM STORE OWNER/ARCHITECT. API (813)925-0144

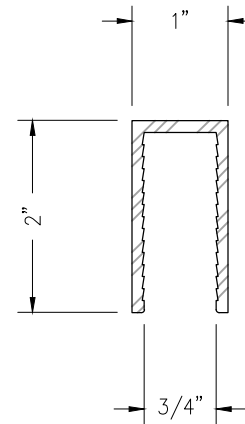
Customer: API IN-HOUSE		
Assembly: GLASWAL	REV#:	DATE:
Drawn By: API CAD		
Date: 04/23/2020		
Scale: N.T.S.	Sheet: 3	



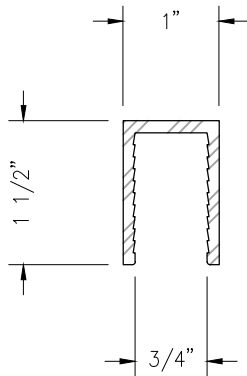
AMERICAN PRODUCTS, INC. (API)
13909 LYNMAR BOULEVARD
TAMPA, FL. 33626
PH: (813) 925-0144
WWW.AMERICANPRODUCTS.COM
CONTACT: KERRI BEALS



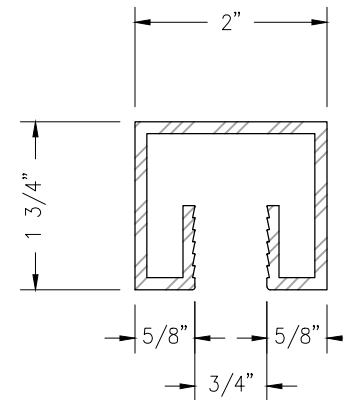
G10011 - HEADER / SILL



G10012 - HEADER



G10015 - HEADER



G10075 - HEADER

API RECOMMENDS THAT THIS NOTE APPEAR WITH STOREFRONT ELEVATIONS AND SECTION VIEW DETAILS IN YOUR DRAWINGS

STOREFRONT AND RELATED MATERIALS PROVIDED BY AMERICAN PRODUCTS, INC. (API). NO SUBSTITUTIONS WITHOUT WRITTEN CONSENT FROM STORE OWNER/ARCHITECT. API (813)925-0144

Customer: API IN-HOUSE

Assembly: GLASWAL

Drawn By: API CAD

Date: 04/23/2020

Scale: N.T.S.

REV#:

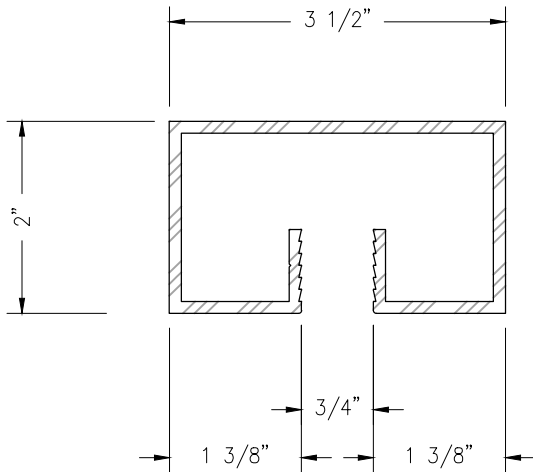
DATE:

Sheet: 4

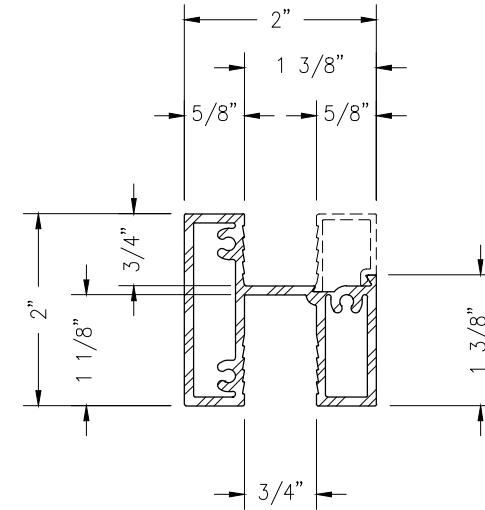


AMERICAN PRODUCTS, INC.

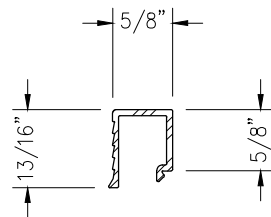
AMERICAN PRODUCTS, INC. (API)
 13909 LYNMAR BOULEVARD
 TAMPA, FL. 33626
 PH: (813) 925-0144
 WWW.AMERICANPRODUCTS.COM
 CONTACT: KERRI BEALS



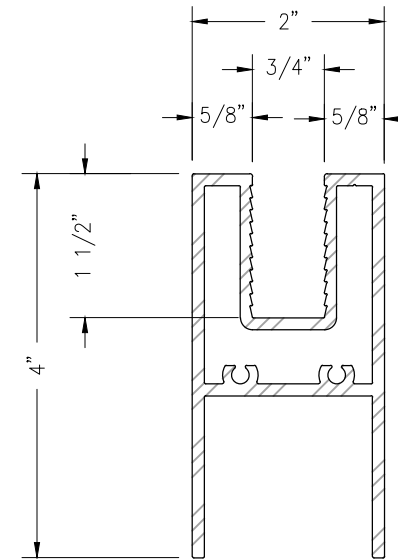
G100235 - HEADER / JAMB



G10076 - H-CHANNEL



G10076S - H-CHANNEL STOP



G10024 - 4" BASE

API RECOMMENDS THAT THIS NOTE APPEAR WITH STOREFRONT ELEVATIONS AND SECTION VIEW DETAILS IN YOUR DRAWINGS

STOREFRONT AND RELATED MATERIALS PROVIDED BY AMERICAN PRODUCTS, INC. (API). NO SUBSTITUTIONS WITHOUT WRITTEN CONSENT FROM STORE OWNER/ARCHITECT. API (813)925-0144

Customer: API IN-HOUSE

Assembly: GLASWAL

Drawn By: API CAD

Date: 04/23/2020

Scale: N.T.S.

Sheet: 5

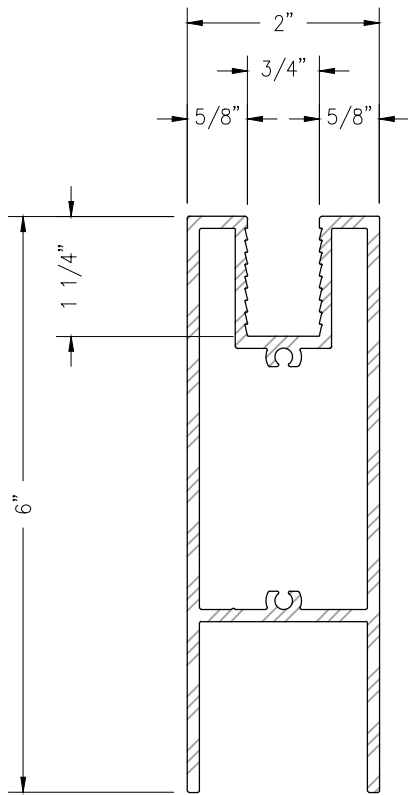
REV#:

DATE:

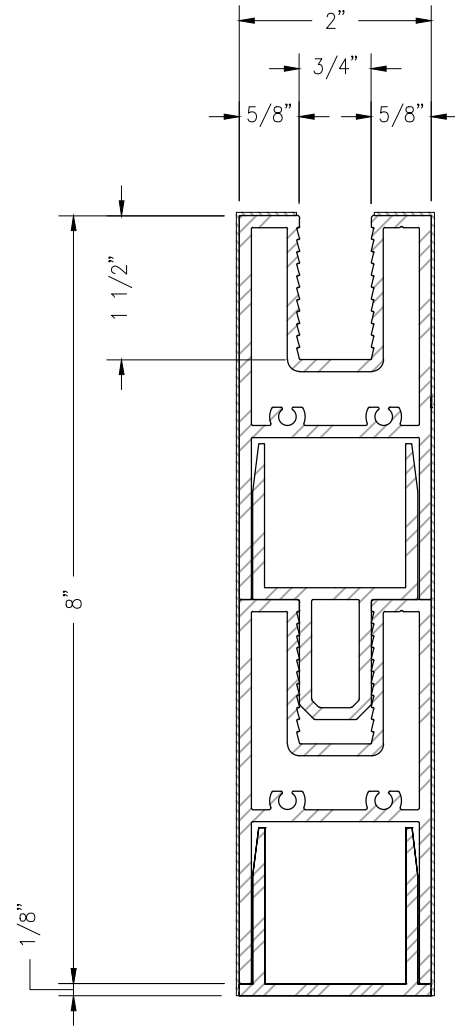


AMERICAN PRODUCTS, INC.

AMERICAN PRODUCTS, INC. (API)
13909 LYNMAR BOULEVARD
TAMPA, FL. 33626
PH: (813) 925-0144
WWW.AMERICANPRODUCTS.COM
CONTACT: KERRI BEALS



G10026 - 6" BASE



G10028 - 8" STACKED BASE

API RECOMMENDS THAT THIS NOTE APPEAR WITH STOREFRONT ELEVATIONS AND SECTION VIEW DETAILS IN YOUR DRAWINGS

STOREFRONT AND RELATED MATERIALS PROVIDED BY AMERICAN PRODUCTS, INC. (API). NO SUBSTITUTIONS WITHOUT WRITTEN CONSENT FROM STORE OWNER/ARCHITECT. API (813)925-0144

Customer: API IN-HOUSE

Assembly: GLASWAL

Drawn By: API CAD

Date: 04/23/2020

Scale: N.T.S.

Sheet: 6

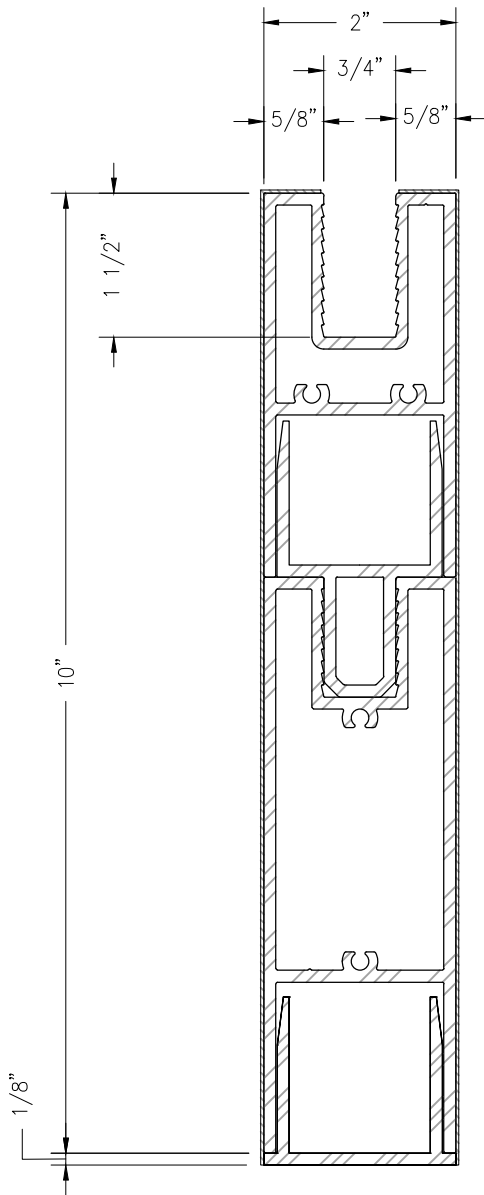
REV#:

DATE:

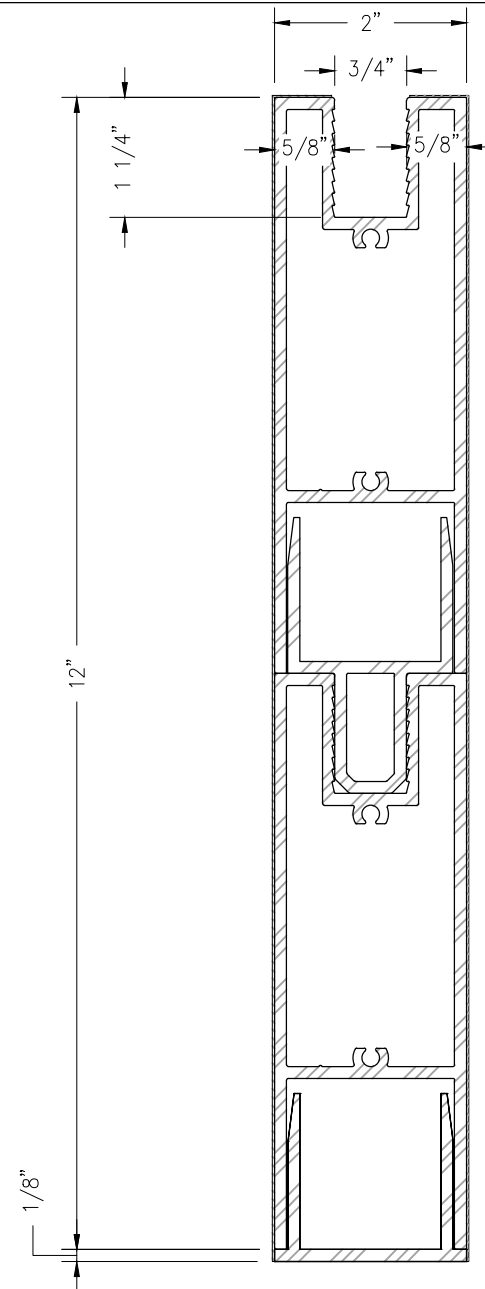


AMERICAN PRODUCTS, INC.

AMERICAN PRODUCTS, INC. (API)
13909 LYNMAR BOULEVARD
TAMPA, FL. 33626
PH: (813) 925-0144
WWW.AMERICANPRODUCTS.COM
CONTACT: KERRI BEALS



G100210 - 10" STACKED BASE



G100212 - 12" STACKED BASE

API RECOMMENDS THAT THIS NOTE APPEAR WITH STOREFRONT ELEVATIONS AND SECTION VIEW DETAILS IN YOUR DRAWINGS

STOREFRONT AND RELATED MATERIALS PROVIDED BY AMERICAN PRODUCTS, INC. (API). NO SUBSTITUTIONS WITHOUT WRITTEN CONSENT FROM STORE OWNER/ARCHITECT. API (813)925-0144

Customer: API IN-HOUSE

Assembly: GLASWAL

Drawn By: API CAD

Date: 04/23/2020

Scale: N.T.S.

Sheet: 7

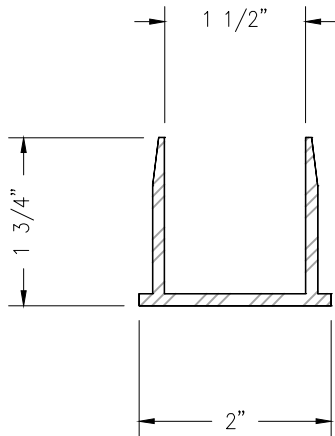
REV#:

DATE:

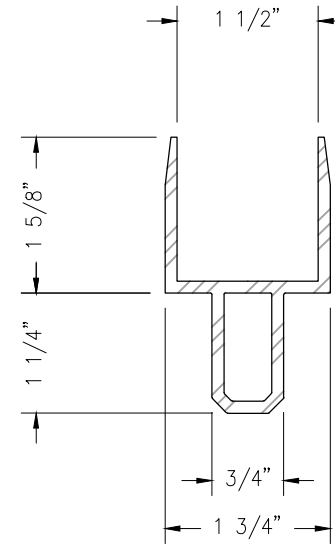


AMERICAN PRODUCTS, INC.

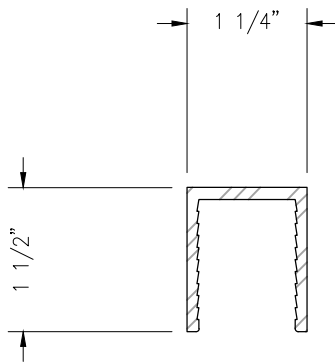
AMERICAN PRODUCTS, INC. (API)
13909 LYNMAR BOULEVARD
TAMPA, FL. 33626
PH: (813) 925-0144
WWW.AMERICANPRODUCTS.COM
CONTACT: KERRI BEALS



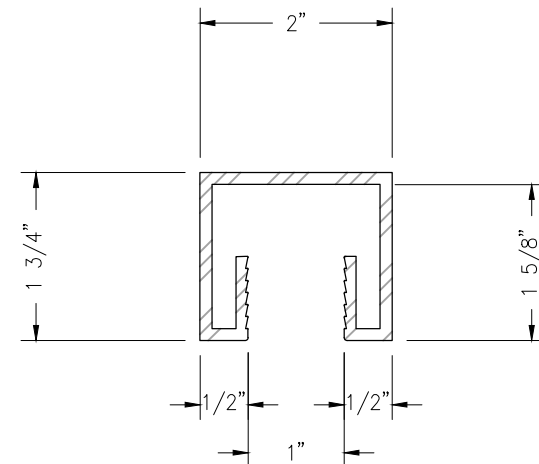
G10022 -SILL ANCHOR



G10023 - INTERMEDIATE ANCHOR



G13415 - 1-1/4" x 1-1/2" HEADER



G13475 - 2" x 1-3/4" HEADER

API RECOMMENDS THAT THIS NOTE APPEAR WITH STOREFRONT ELEVATIONS AND SECTION VIEW DETAILS IN YOUR DRAWINGS

STOREFRONT AND RELATED MATERIALS PROVIDED BY AMERICAN PRODUCTS, INC. (API). NO SUBSTITUTIONS WITHOUT WRITTEN CONSENT FROM STORE OWNER/ARCHITECT. API (813)925-0144

Customer: API IN-HOUSE

Assembly: GLASWAL

Drawn By: API CAD

Date: 04/23/2020

Scale: N.T.S.

Sheet: 8

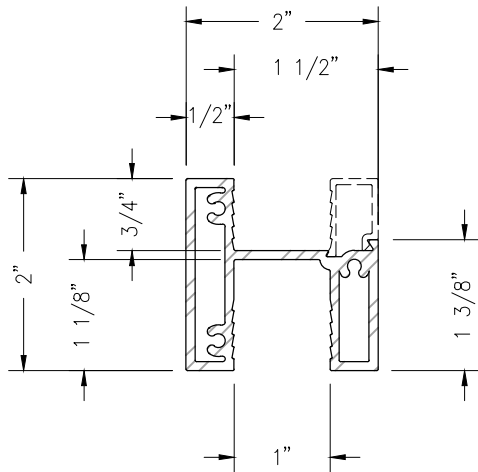
REV#:

DATE:

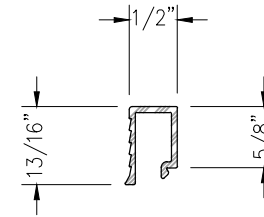


AMERICAN PRODUCTS, INC.

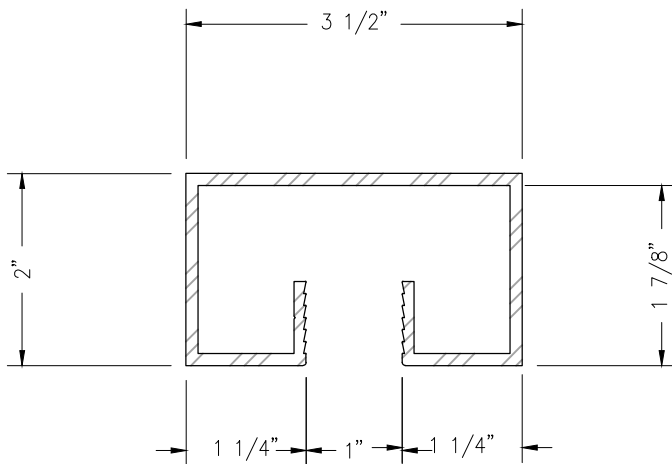
AMERICAN PRODUCTS, INC. (API)
13909 LYNMAR BOULEVARD
TAMPA, FL. 33626
PH: (813) 925-0144
WWW.AMERICANPRODUCTS.COM
CONTACT: KERRI BEALS



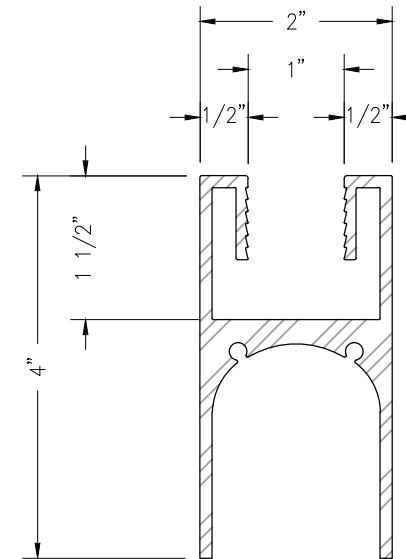
G13476 - 2" x 2" H-CHANNEL



G13476S - H-CHANNEL STOP



G134235 - 3-1/2" x 2" HEADER



G13426 - 2" x 6" SILL BASE

API RECOMMENDS THAT THIS NOTE APPEAR WITH STOREFRONT ELEVATIONS AND SECTION VIEW DETAILS IN YOUR DRAWINGS

STOREFRONT AND RELATED MATERIALS PROVIDED BY AMERICAN PRODUCTS, INC. (API). NO SUBSTITUTIONS WITHOUT WRITTEN CONSENT FROM STORE OWNER/ARCHITECT. API (813)925-0144

Customer: API IN-HOUSE

Assembly: GLASWAL

Drawn By: API CAD

Date: 04/23/2020

Scale: N.T.S.

REV#:

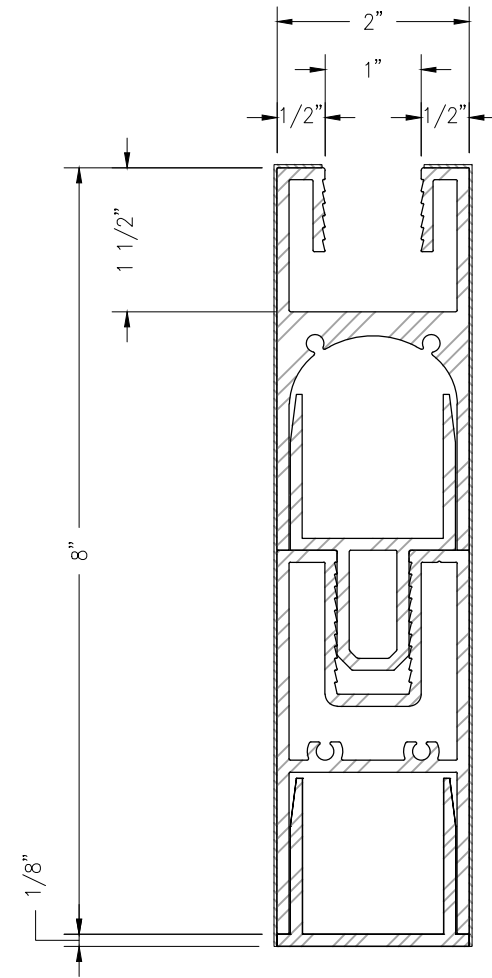
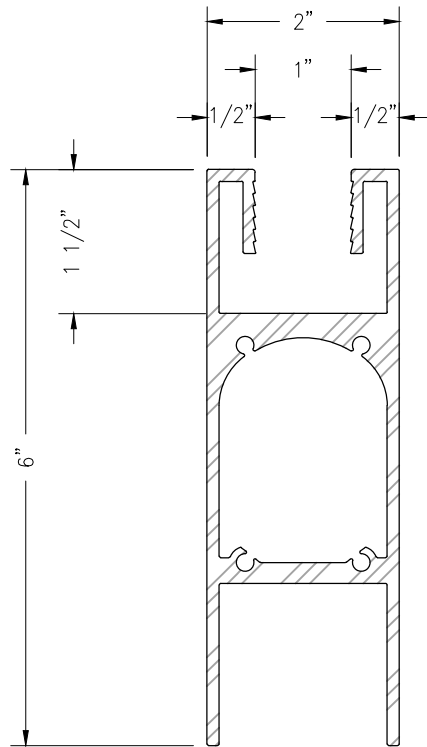
DATE:

Sheet: 9



AMERICAN PRODUCTS, INC.

AMERICAN PRODUCTS, INC. (API)
 13909 LYNMAR BOULEVARD
 TAMPA, FL. 33626
 PH: (813) 925-0144
 WWW.AMERICANPRODUCTS.COM
 CONTACT: KERRI BEALS



G13426 - 2" x 6" SILL BASE

G13428 - 2" x 8" SILL BASE

API RECOMMENDS THAT THIS NOTE APPEAR WITH STOREFRONT ELEVATIONS AND SECTION VIEW DETAILS IN YOUR DRAWINGS

STOREFRONT AND RELATED MATERIALS PROVIDED BY AMERICAN PRODUCTS, INC. (API). NO SUBSTITUTIONS WITHOUT WRITTEN CONSENT FROM STORE OWNER/ARCHITECT. API (813)925-0144

Customer: API IN-HOUSE

Assembly: GLASWAL

Drawn By: API CAD

Date: 04/23/2020

Scale: N.T.S.

Sheet: 10

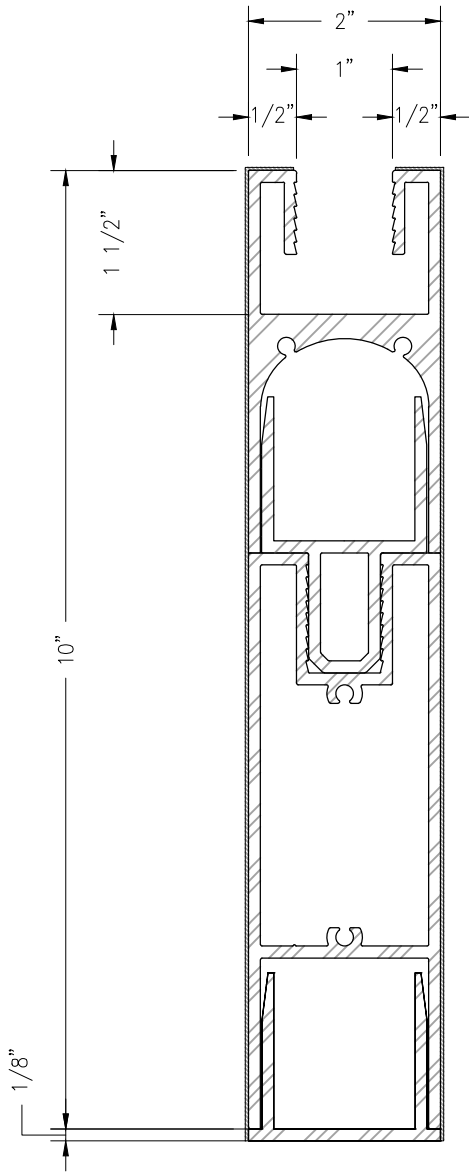
REV#:

DATE:

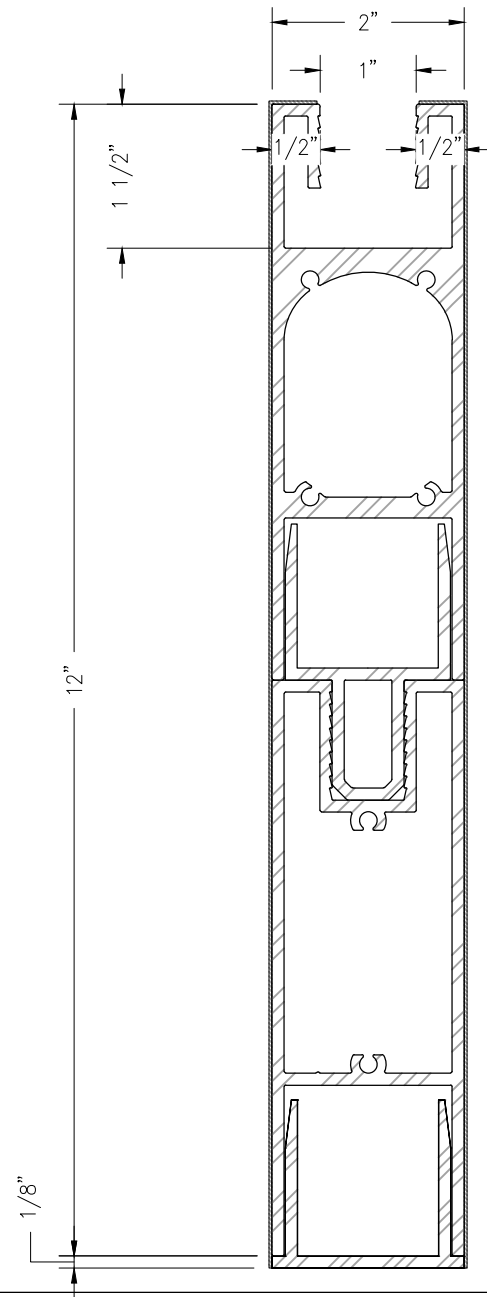


AMERICAN PRODUCTS, INC.

AMERICAN PRODUCTS, INC. (API)
13909 LYNMAR BOULEVARD
TAMPA, FL. 33626
PH: (813) 925-0144
WWW.AMERICANPRODUCTS.COM
CONTACT: KERRI BEALS



G134210 - 2" x 10" SILL BASE



G134212 - 2" x 12" SILL BASE

API RECOMMENDS THAT THIS NOTE APPEAR WITH STOREFRONT ELEVATIONS AND SECTION VIEW DETAILS IN YOUR DRAWINGS

STOREFRONT AND RELATED MATERIALS PROVIDED BY AMERICAN PRODUCTS, INC. (API). NO SUBSTITUTIONS WITHOUT WRITTEN CONSENT FROM STORE OWNER/ARCHITECT. API (813)925-0144

Customer: API IN-HOUSE

Assembly: GLASWAL

Drawn By: API CAD

Date: 04/23/2020

Scale: N.T.S.

REV#:

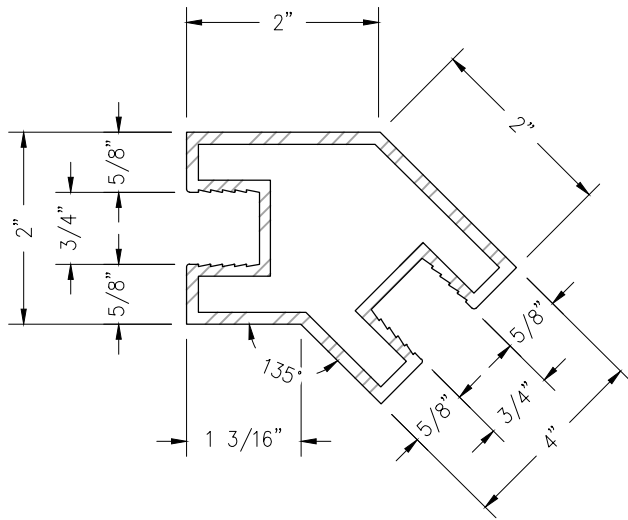
DATE:

Sheet: 11

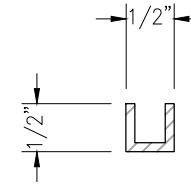


AMERICAN PRODUCTS, INC.

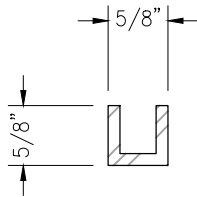
AMERICAN PRODUCTS, INC. (API)
13909 LYNMAR BOULEVARD
TAMPA, FL. 33626
PH: (813) 925-0144
WWW.AMERICANPRODUCTS.COM
CONTACT: KERRI BEALS



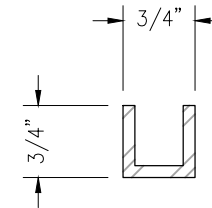
G10135 - 2" x 2" 135° CHANNEL



G10055 - 1/2" x 1/2" REVEAL



G10058 - 5/8" x 5/8" REVEAL



G10034 - 3/4" x 3/4" SILL BASE

API RECOMMENDS THAT THIS NOTE APPEAR WITH STOREFRONT ELEVATIONS AND SECTION VIEW DETAILS IN YOUR DRAWINGS

STOREFRONT AND RELATED MATERIALS PROVIDED BY AMERICAN PRODUCTS, INC. (API). NO SUBSTITUTIONS WITHOUT WRITTEN CONSENT FROM STORE OWNER/ARCHITECT. API (813)925-0144

Customer: API IN-HOUSE

Assembly: GLASWAL

Drawn By: API CAD

Date: 04/23/2020

Scale: N.T.S.

Sheet: 12

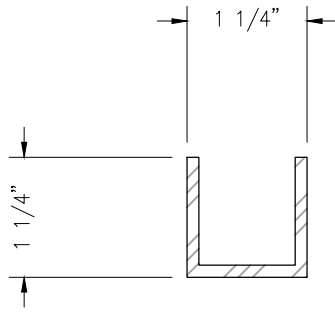
REV#:

DATE:



AMERICAN PRODUCTS, INC.

AMERICAN PRODUCTS, INC. (API)
13909 LYNMAR BOULEVARD
TAMPA, FL. 33626
PH: (813) 925-0144
WWW.AMERICANPRODUCTS.COM
CONTACT: KERRI BEALS



G134125 - 1-1/4" x 1-1/4" REVEAL

G30050 - GLAZING VINYL FOR 1/2" GLASS



G30038 - GLAZING VINYL FOR 3/8" GLASS

G30025- GLAZING VINYL FOR 1/2" GLASS

API RECOMMENDS THAT THIS NOTE APPEAR WITH STOREFRONT ELEVATIONS AND SECTION VIEW DETAILS IN YOUR DRAWINGS

Customer: API IN-HOUSE

Assembly: GLASWAL

REV#:

DATE:

Drawn By: API CAD

Date: 04/23/2020

Scale: N.T.S.

Sheet: 13



AMERICAN PRODUCTS, INC.

AMERICAN PRODUCTS, INC. (API)
13909 LYNMAR BOULEVARD
TAMPA, FL. 33626
PH: (813) 925-0144
WWW.AMERICANPRODUCTS.COM
CONTACT: KERRI BEALS

STOREFRONT AND RELATED MATERIALS PROVIDED BY AMERICAN PRODUCTS, INC. (API). NO SUBSTITUTIONS WITHOUT WRITTEN CONSENT FROM STORE OWNER/ARCHITECT. API (813)925-0144