

AMERICAN PRODUCTS, INC (API)  
F2000T- SYSTEM FOR 1" GLASS

LIST OF MATERIALS:

PART #	DESCRIPTION
F20010-T	HEAD/JAMB, 24' S/L
F20030-T	SILL, 24' S/L
F20079-T	4-1/2" SIDELITE BASE, 24' S/L
F20025	GLASS STOP, 24' S/L
F20060-T	CORNER POST (LEFT), 24' S/L
F20065-T	CORNER POST (RIGHT), 24' S/L
F20015-T	SHALLOW POC. FILLER, 24' S/L
F20050-T	SILL FLASHING, 24' S/L
F20020-T	HORIZONTAL, 24' S/L
F20085-T	HEAD RECEPTOR
F20090-T	RECEPTOR BEAD
F20045-T	FLAT FILLER

AVAILABLE FINISHES:

FINISH	API/US	DESCRIPTION
1101	US28	CLEAR ANODIZED
1801	US 313	DARK BRONZE ANODIZED
CLAD	US32D #4	BRUSHED STAINLESS
CLAD	US32 #8	POLISHED STAINLESS
N/A	N/A	DARK IVY KYNAR

BASIC ORDERING INFORMATION:

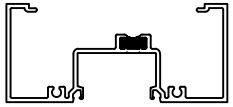
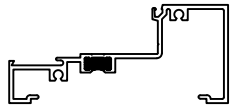
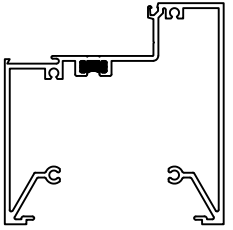

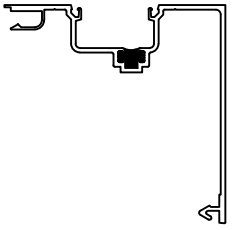
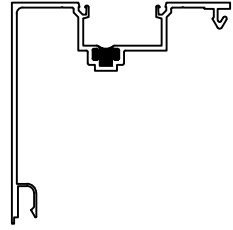

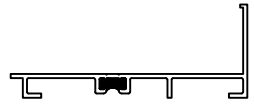
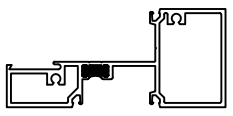

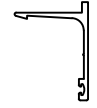

(PART #)-(FINISH CODE)

EXAMPLE: F20065-T,1101

FLORIDA PRODUCT APPROVAL#:

FL14179

GLASS CALCULATIONS: DLO + 3/4"

			
F20010-T, HEAD/JAMB	F20030-T, SILL	F20079-T, 4-1/2" SIDELITE BASE	F20025, GLASS STOP
			
F20060-T, CORNER POST (LEFT)	F20065-T, CORNER POST (RIGHT)	F20015-T, SHALLOW POCKET FILLER	F20050-T, SILL FLASHING
			
F20020-T, HORIZONTAL	F20085-T, HEAD RECEPTOR	F20090, RECEPTOR BEAD	F20045-T, FLAT FILLER

API Recommends that this note appear with storefront elevations and section view details in your blueprints.

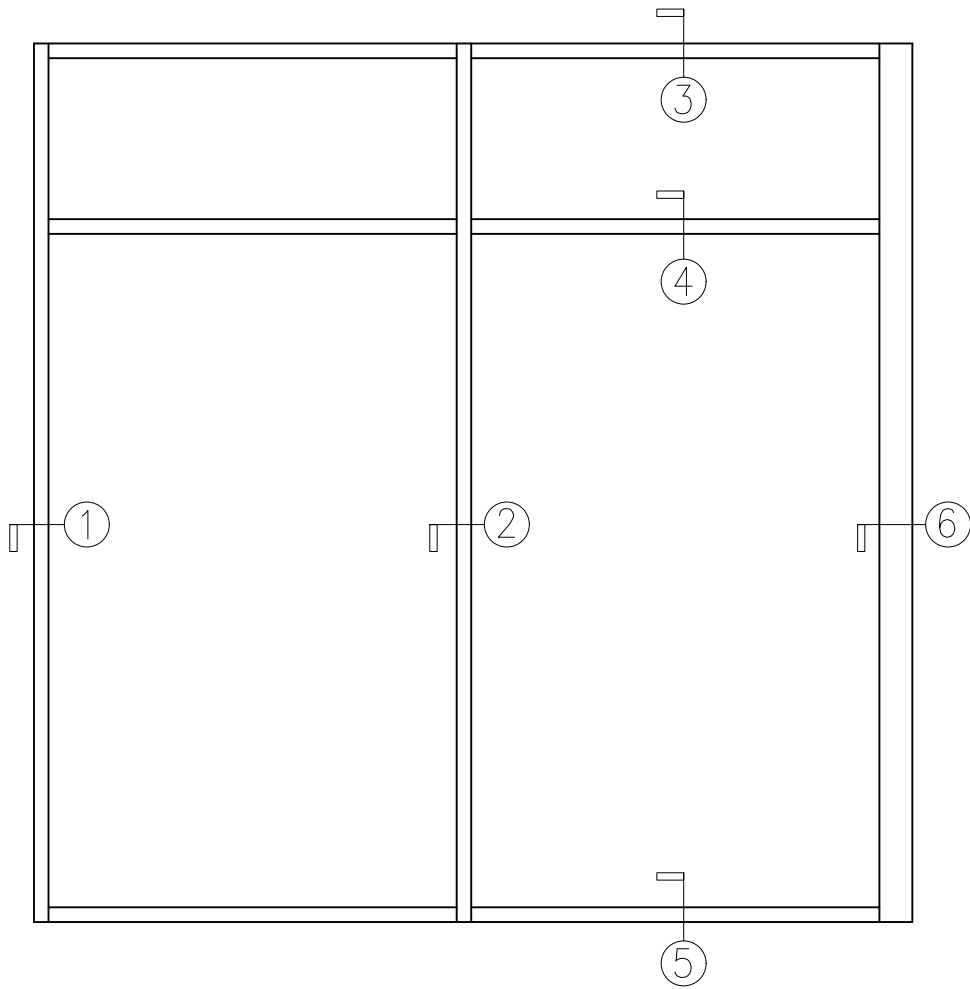
Storefront and related materials provided by American Products, Inc. (API). No substitutions without written consent from store owner/ Architect. API (813) 925-0144

Customer: API In House	
Assembly: 1-3/4" x 4-1/2" Thermal Glaze for 1" Glass	
Drawn By:	Date:
Revision:	Date:
Scale: N.T.S.	Sheet: COVER

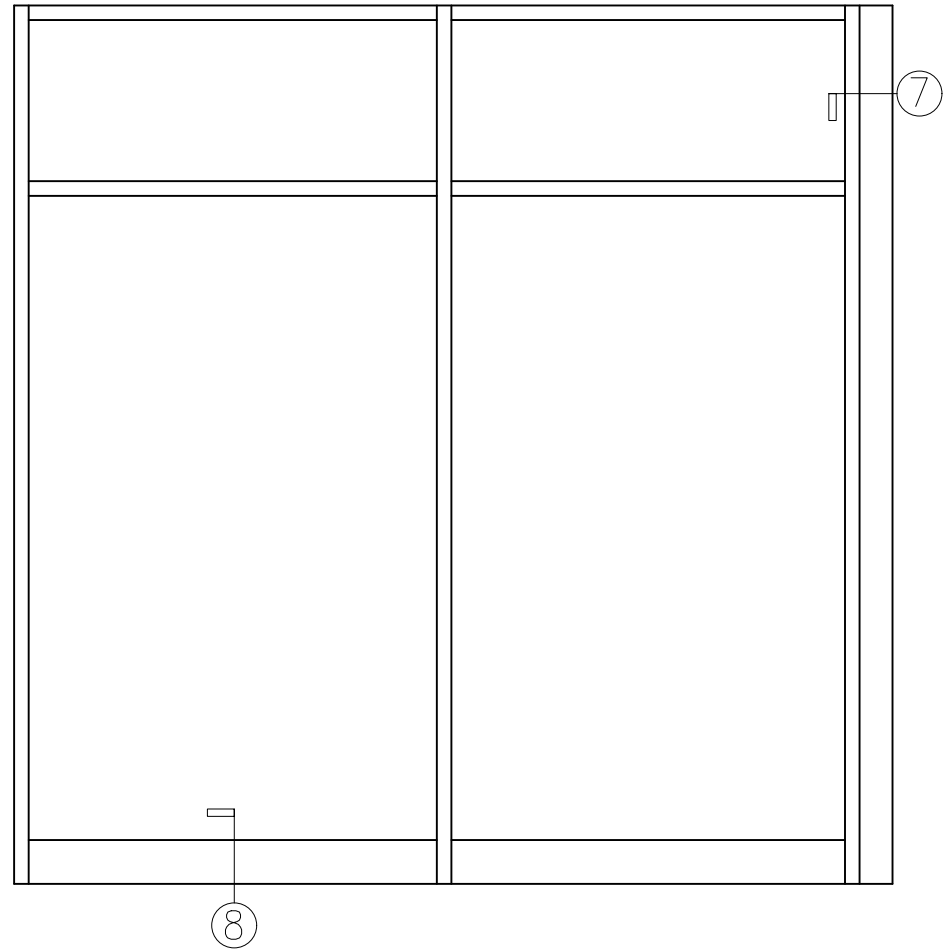


AMERICAN PRODUCTS, INC. (API)  
13909 LYNMAR BOULEVARD  
TAMPA, FL 33626  
CONTACT: KERRI BEALS  
PH (813) 925-0144  
WWW.AMERICANPRODUCTS.COM

ELEVATION



ELEVATION



API Recommends that this note appear with storefront elevations and section view details in your blueprints.

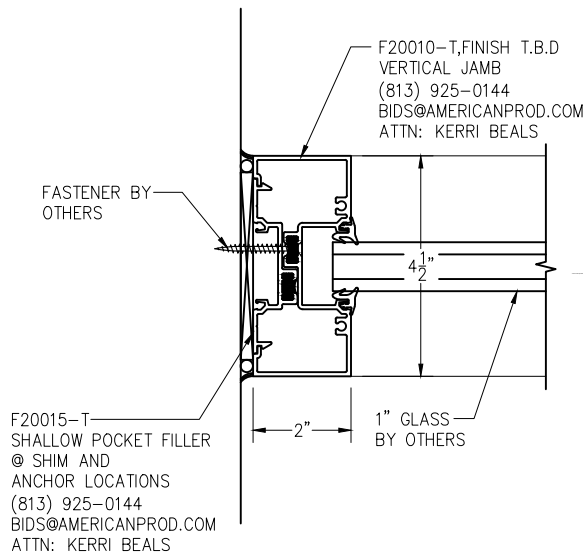
Storefront and related materials provided by American Products, Inc. (API). No substitutions without written consent from store owner/Architect. API (813) 925-0144

Customer: API In House	
Assembly: 1-3/4" x 4-1/2" Thermal Glaze for 1" Glass	
Drawn By:	Date:
Revision:	Date:
Scale: N.T.S.	Sheet: 1

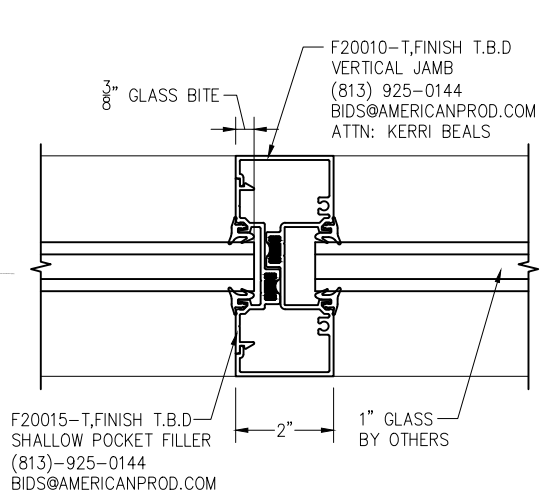


AMERICAN PRODUCTS, INC. (API)  
 13909 LYNMAR BOULEVARD  
 TAMPA, FL 33626  
 CONTACT: KERRI BEALS  
 PH (813) 925-0144  
 WWW.AMERICANPRODUCTS.COM

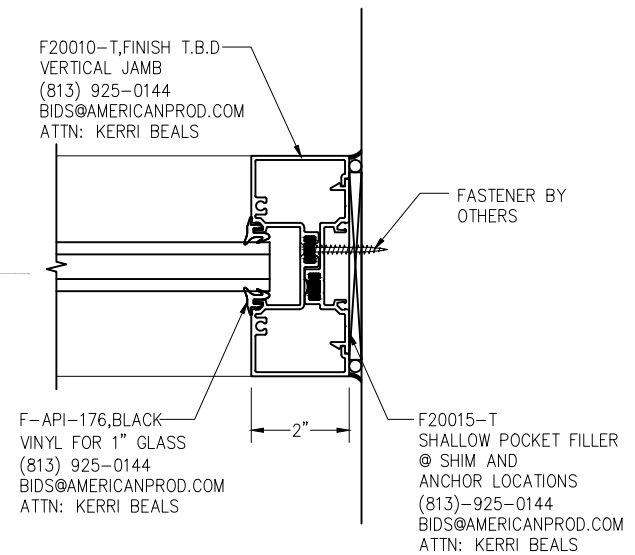
PLAN SECTION WITH INTERMEDIATE VERTICAL



DETAIL #1



DETAIL #2



DETAIL #1

API Recommends that this note appear with storefront elevations and section view details in your blueprints.

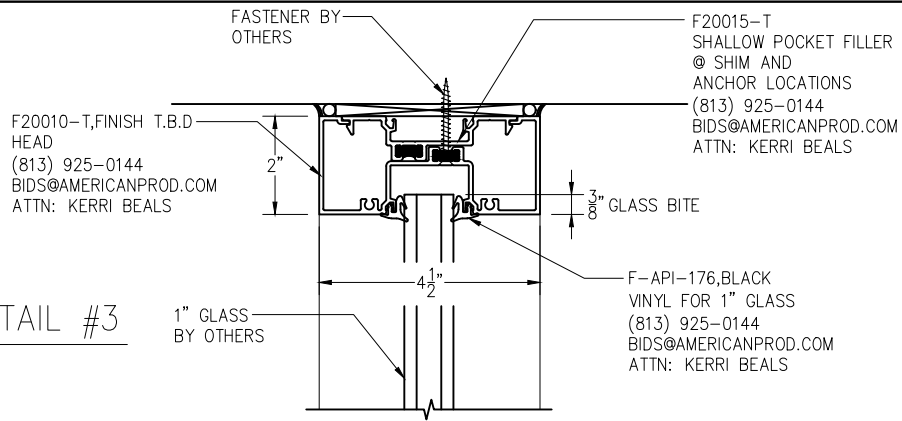
Storefront and related materials provided by American Products, Inc. (API). No substitutions without written consent from store owner/ Architect. API (813) 925-0144

Customer: API In House	
Assembly: 1-3/4" x 4-1/2" Thermal Glaze for 1" Glass	
Drawn By:	Date:
Revision:	Date:
Scale: N.T.S.	Sheet: 2



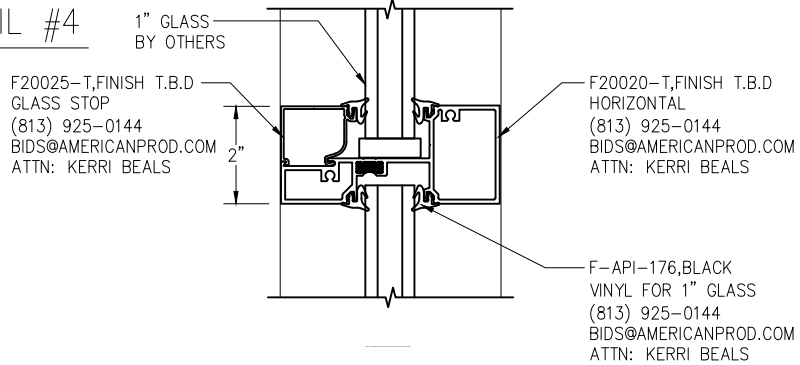
AMERICAN PRODUCTS, INC. (API)  
 13909 LYNMAR BOULEVARD  
 TAMPA, FL 33626  
 CONTACT: KERRI BEALS  
 PH (813) 925-0144  
 WWW.AMERICANPRODUCTS.COM

VERTICAL SECTION WITH INTERMEDIATE

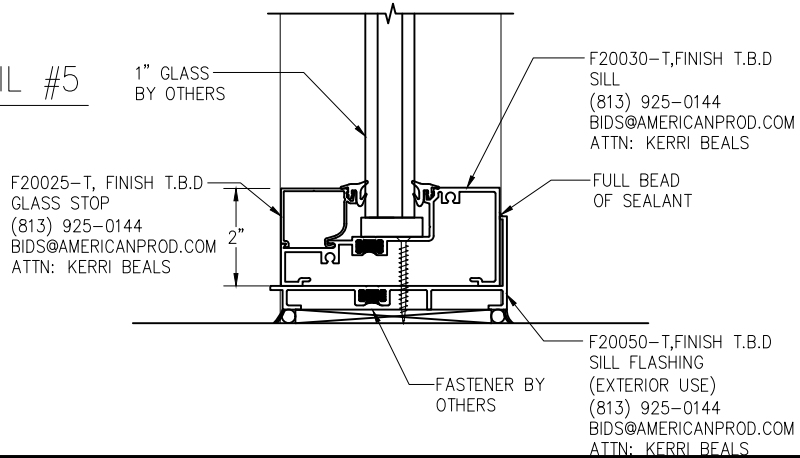


DETAIL #3

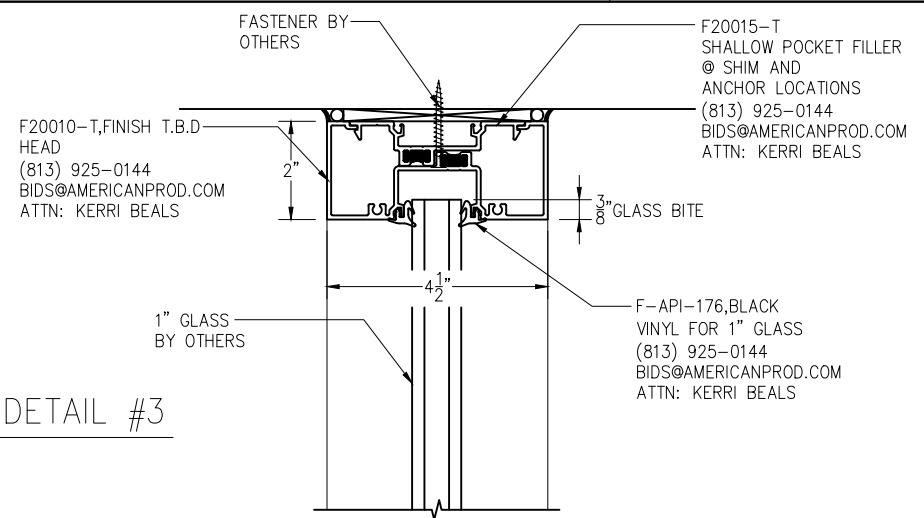
DETAIL #4



DETAIL #5

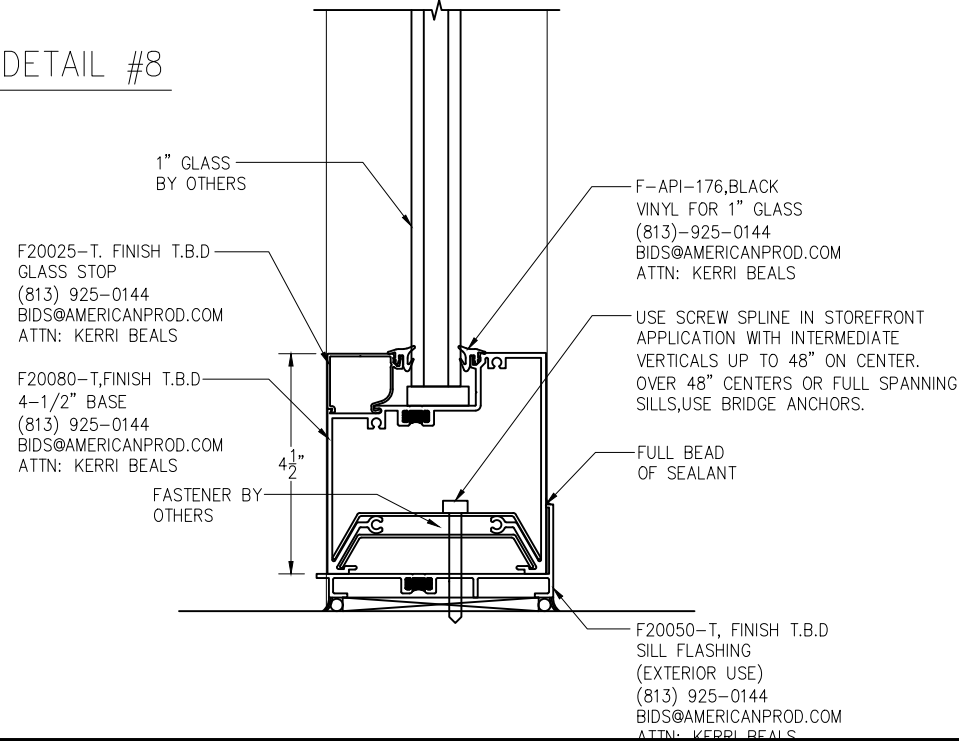


VERTICAL SECTION WITH 4-1/2" BASE



DETAIL #3

DETAIL #8



API Recommends that this note appear with storefront elevations and section view details in your blueprints.

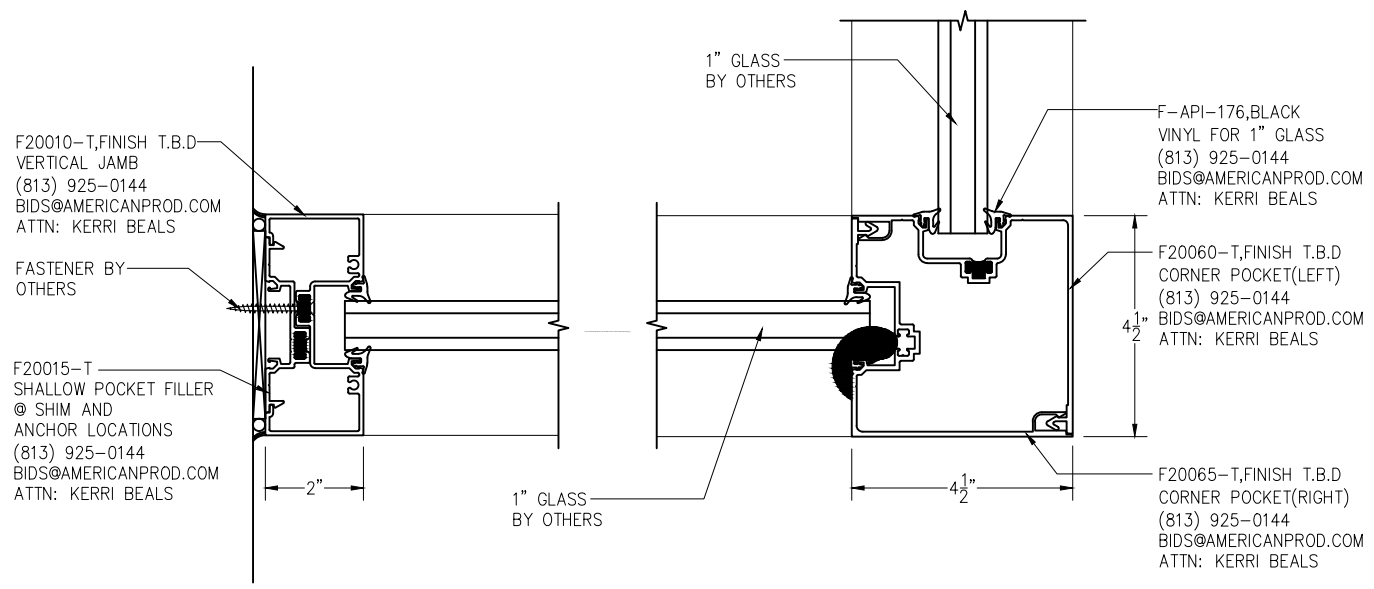
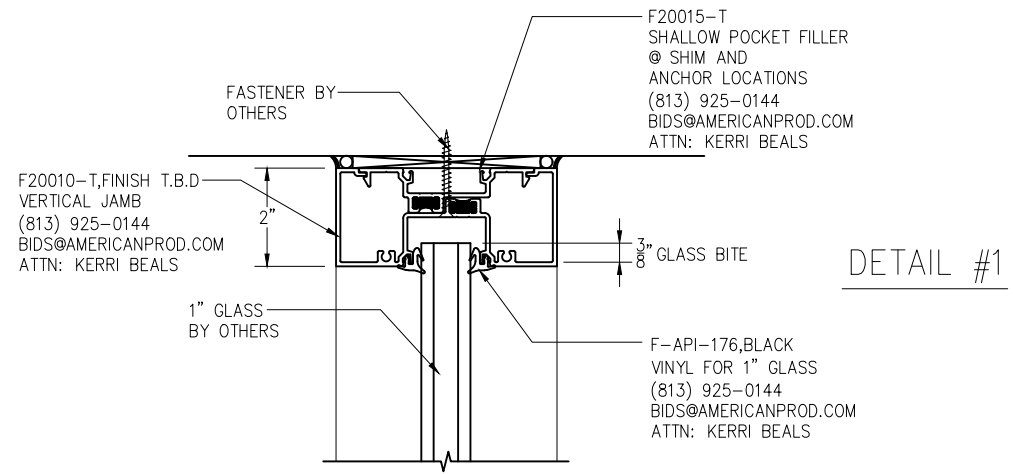
Storefront and related materials provided by American Products, Inc. (API). No substitutions without written consent from store owner/ Architect. API (813) 925-0144

Customer: API In House	
Assembly: 1-3/4" x 4-1/2" Thermal Glaze for 1" Glass	
Drawn By:	Date:
Revision:	Date:
Scale: N.T.S.	Sheet: 3



AMERICAN PRODUCTS, INC. (API)  
 13909 LYNMAR BOULEVARD  
 TAMPA, FL 33626  
 CONTACT: KERRI BEALS  
 PH (813) 925-0144  
 WWW.AMERICANPRODUCTS.COM

PLAN SECTION WITH 4-1/2" CORNER ASSEMBLY



DETAIL #1

DETAIL #6

API Recommends that this note appear with storefront elevations and section view details in your blueprints.

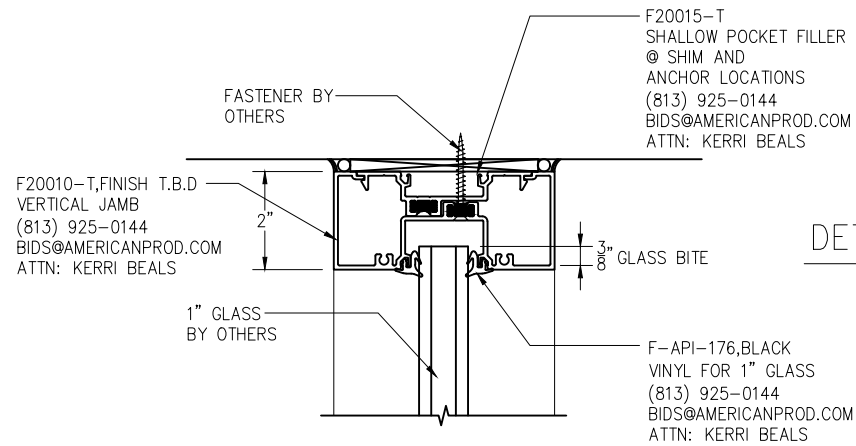
Storefront and related materials provided by American Products, Inc. (API). No substitutions without written consent from store owner/ Architect. API (813) 925-0144

Customer: API In House	
Assembly: 1-3/4" x 4-1/2" Thermal Glaze for 1" Glass	
Drawn By:	Date:
Revision:	Date:
Scale: N.T.S.	Sheet: 4

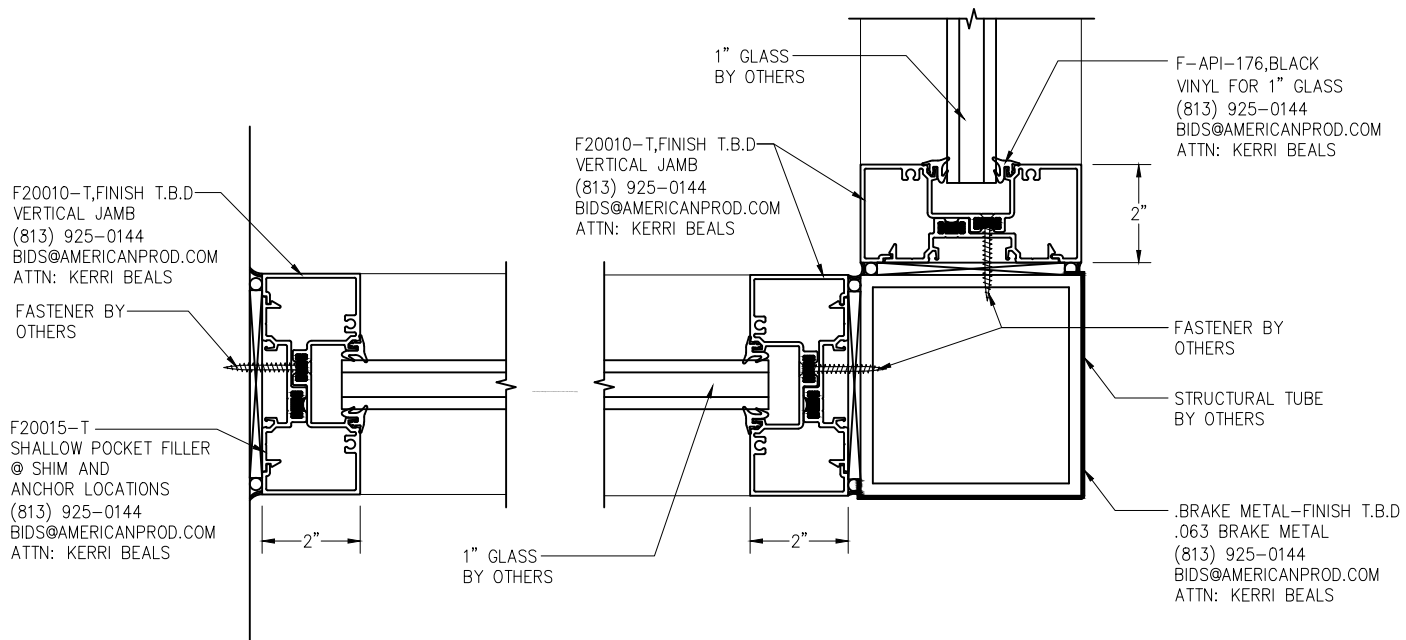


AMERICAN PRODUCTS, INC. (API)  
13909 LYNMAR BOULEVARD  
TAMPA, FL 33626  
CONTACT: KERRI BEALS  
PH (813) 925-0144  
WWW.AMERICANPRODUCTS.COM

PLAN SECTION WITH STRUCTURAL COLUMN BY OTHERS



DETAIL #1



DETAIL #1

DETAIL #7

API Recommends that this note appear with storefront elevations and section view details in your blueprints.

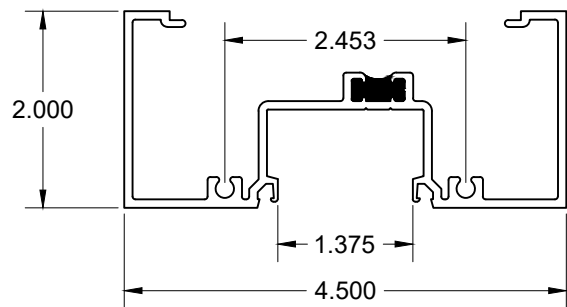
Storefront and related materials provided by American Products, Inc. (API). No substitutions without written consent from store owner/ Architect. API (813) 925-0144

Customer: API In House	
Assembly: 1-3/4" x 4-1/2" Thermal Glaze for 1" Glass	
Drawn By:	Date:
Revision:	Date:
Scale: N.T.S.	Sheet: 5

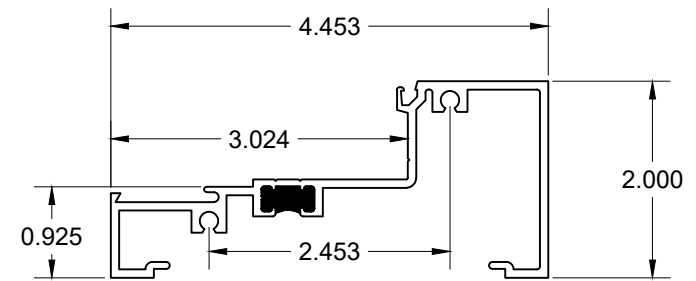


AMERICAN PRODUCTS, INC. (API)  
 13909 LYNMAR BOULEVARD  
 TAMPA, FL 33626  
 CONTACT: KERRI BEALS  
 PH (813) 925-0144  
 WWW.AMERICANPRODUCTS.COM

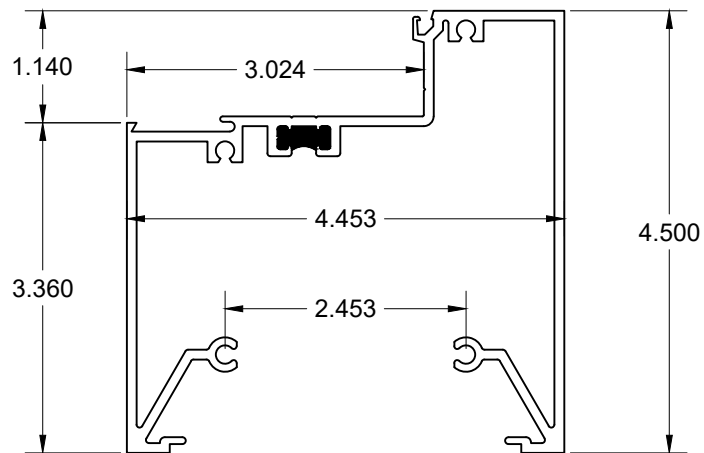
F20010-T HEAD/JAMB



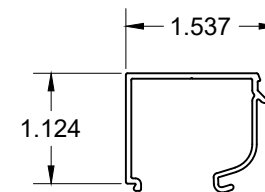
F20030-T SILL



F20079-T 4-1/2" BASE



F20025-T STOP



API Recommends that this note appear with storefront elevations and section view details in your blueprints.

Storefront and related materials provided by American Products, Inc. (API). No substitutions without written consent from store owner/Architect. API (813) 925-0144

Customer: API In House

Assembly: 1-3/4" x 4-1/2" Thermal Glaze for 1" Glass

Drawn By:

Date:

Revision:

Date:

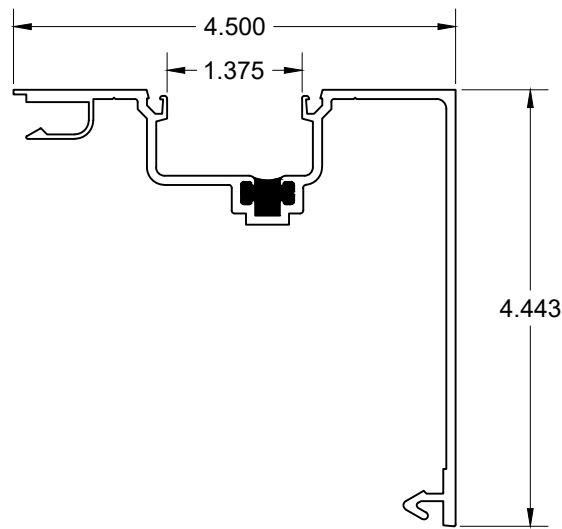
Scale: N.T.S.

Sheet: 6

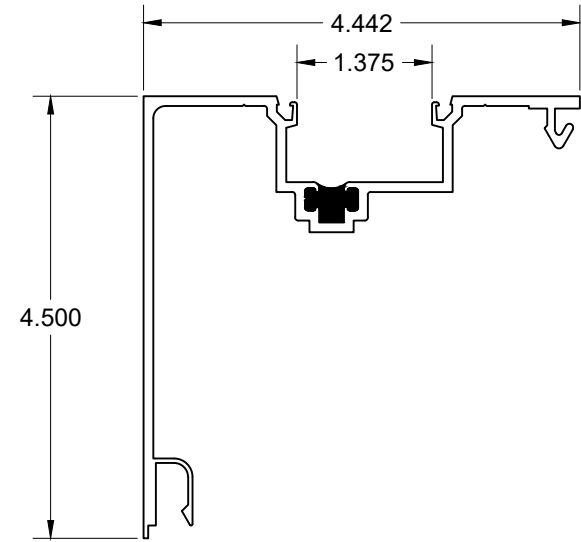


AMERICAN PRODUCTS, INC. (API)  
13909 LYNMAR BOULEVARD  
TAMPA, FL 33626  
CONTACT: KERRI BEALS  
PH (813) 925-0144  
WWW.AMERICANPRODUCTS.COM

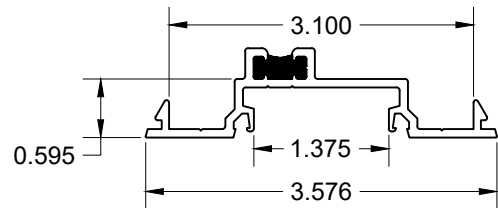
F20060-T CORNER POST (LEFT)



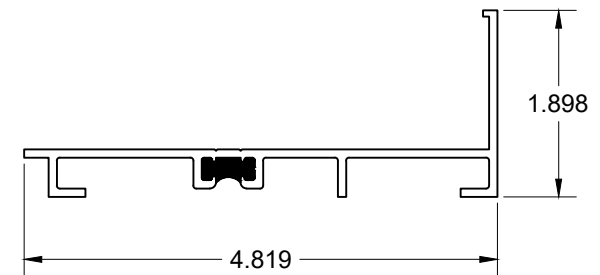
F20065-T CORNER POST (RIGHT)



F20015-T SHALLOW POCKET FILLER



F20050-T SILL FLASHING



API Recommends that this note appear with storefront elevations and section view details in your blueprints.

Storefront and related materials provided by American Products, Inc. (API). No substitutions without written consent from store owner/Architect. API (813) 925-0144

Customer: API In House

Assembly: 1-3/4" x 4-1/2" Thermal Glaze for 1" Glass

Drawn By:

Date:

Revision:

Date:

Scale: N.T.S.

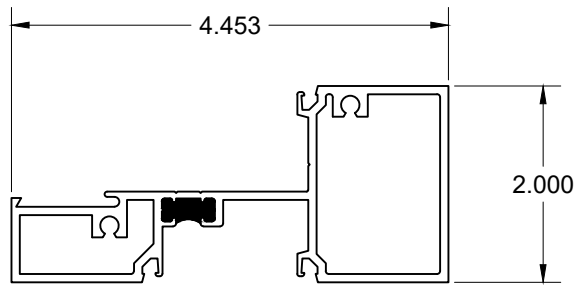
Sheet: 7 of 8



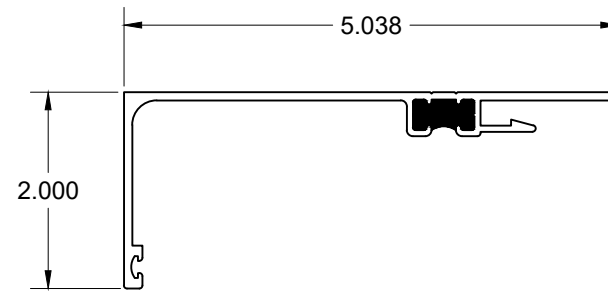
AMERICAN PRODUCTS, INC. (API)  
 13909 LYNMAR BOULEVARD  
 TAMPA, FL 33626  
 CONTACT: KERRI BEALS  
 PH (813) 925-0144  
 WWW.AMERICANPRODUCTS.COM



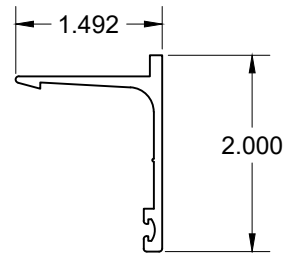
F20020-T HORIZONTAL



F20085-T HEAD RECEPTOR



F20090-RECEPTOR BEAD



F20045-T FLAT FILLER



API Recommends that this note appear with storefront elevations and section view details in your blueprints.

Storefront and related materials provided by American Products, Inc. (API). No substitutions without written consent from store owner/Architect. API (813) 925-0144

Customer: API In House

Assembly: 1-3/4" x 4-1/2" Thermal Glaze for 1" Glass

Drawn By:

Date:

Revision:

Date:

Scale: N.T.S.

Sheet: 8



AMERICAN PRODUCTS, INC. (API)  
 13909 LYNMAR BOULEVARD  
 TAMPA, FL 33626  
 CONTACT: KERRI BEALS  
 PH (813) 925-0144  
 WWW.AMERICANPRODUCTS.COM