

MC7500 G-GUTTER CANOPY

MC7500 G-GUTTER CANOPY - SERIES 1

An **ECONOMICAL & INNOVATIVE** way to ship, receive, and install your next canopy! Check our pricing before you purchase from any other manufacturers for **WE CAN'T BE BEAT!**

API's MC7500 G-Gutter Canopy (Series 1) is a pre-engineered, water-control canopy that can be **delivered and installed without the use of heavy equipment!** The MC7500 canopy is constructed from an integral "G" shaped gutter main frame for optimal water management with internal structure & tie-backs for lasting support and rigidity. Standard flashing between the MC7500 canopy and the structure is included.



AVAILABLE FINISHES

- Satin Clear Anodized
- Dark Bronze Anodized
- Black Anodized
- Custom Powder Coat
- Kynar (Wet) Paint

OPTIONAL ACCESSORIES

- Gutter Options
 - 6"
- Fascia Options
 - 6", 8", or 12" Flat
 - 8" or 12" C-Channel
 - Backlit Laser
 - Bull Nose
- Bottom Deck Options
 - Ventilated
 - Brake Metal
 - Wood Composite
 - Treated Wood Panels

EASY INSTALLATION

- **NO HEAVY EQUIPMENT REQUIRED!**

ILLUMINATION

- LED
- Recessed
- Surface Mount
- Prep-only for Lighting by Others

ADDITIONAL SERVICES

- Shop Drawings
- PE Stamp & Calculations
- Specs & Details
- Design Assistance
- Value Engineering
- Estimating & Budgeting
- Project Management
- Fully Assembled Canopies (if required)
- Installation Referrals (nationwide)

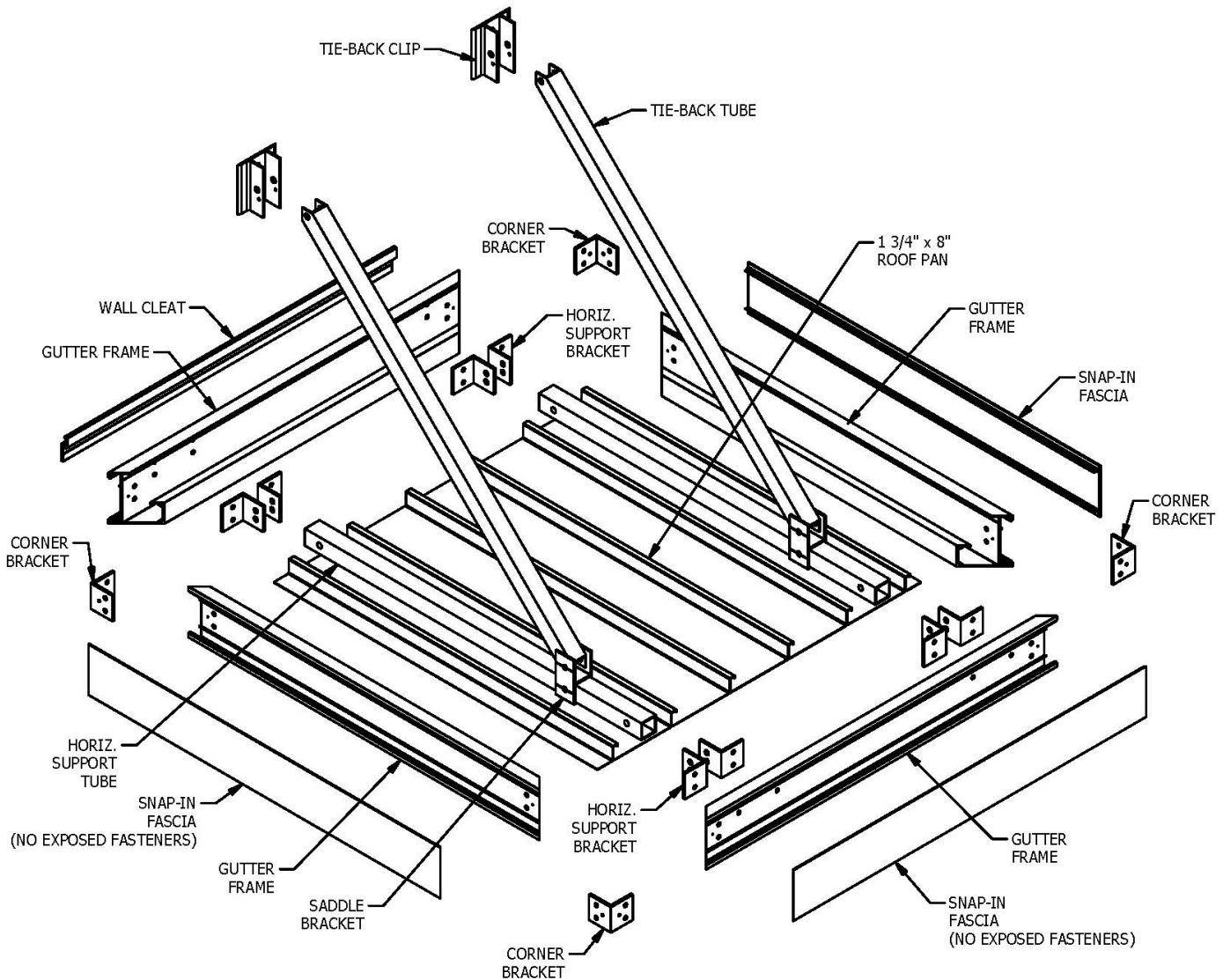
AMERICAN PRODUCTS, INC. (API)

American Products, Inc. (API) is a specialty manufacturer and supplier of storefront, architectural metals and building products for the retail and commercial construction industries. Headquartered in Tampa, FL, API offers a wide range of high quality materials at very competitive prices, making API a preferred supplier and industry leader among architects, designers, national chains, general contractors, and end users.

From standard products to custom storefront systems and project-specific materials, to custom fabrication and finishing in our state-of-the-art manufacturing facility, API's in-house design and engineering team can meet the demands of any project! Because customer needs differ greatly based upon project type and size, API has both a Small Commercial and Large Commercial Division. **Call API Today!**



MC7500 G-GUTTER CANOPY



- Canopies shipped knocked down, ready for install.
- Fully assembled canopies available upon request.
- Assembly fasteners included. Installation anchors excluded.
- Standard engineering available.

API PRODUCT LINES

- | | | | |
|---|---|---|--|
| <ul style="list-style-type: none"> • ACM • Angles & Trims • Asset Protection • Awnings • Backlit Displays • Bike Racks • Bollards & Bollard Covers | <ul style="list-style-type: none"> • Brake Metal • Canopies • Ceiling Grids • Corrugated Panels • Fitting Rooms • Fixtures & Displays • Folding & Sliding Door Systems | <ul style="list-style-type: none"> • Frameless Glass Door Hardware • Framed Doors • Glazing Channels (GlasWal) • Railing Systems • Restroom Accessories • Restroom Partitions | <ul style="list-style-type: none"> • Roof Screen • Signs & Light Boxes • Storefront - Standard, Thermal & Impact • Sunshade • Trellis • Tubes • Utility Screens & Gates |
|---|---|---|--|

