

API-MC7500
48x48 CANOPY SHOP DRAWINGS
BY AMERICAN PRODUCTS, INC (API)

DRAWING INDEX

SHEET NO.	SHEET NAME	REVISION/PAGES CHANGED					
		1	2	3	4	5	6
A000	COVER SHEET						
A100	PLAN / SECTION						
A200	SECTION						
A300	SECTION / DETAILS						
A400	DETAILS						


AMERICAN PRODUCTS, INC.
 13909 LYNMAR BLVD.
 TAMPA, FL 33626
 PH. (813)925-0144
 WWW.AMERICANPRODUCTS.COM
 CONTACT: KERRI BEALS
 API RECOMMENDS THAT THE NOTE BELOW APPEARS WITH STOREFRONT ELEVATIONS AND SECTION VIEW DETAILS IN YOUR DRAWINGS
 STOREFRONT AND RELATED MATERIALS PROVIDED BY AMERICAN PRODUCTS, INC. (API). NO SUBSTITUTIONS WITHOUT WRITTEN CONSENT FROM STORE OWNER/ARCHITECT. API (813)925-0144

FASTENER SCHEDULE

#	QTY	DESCRIPTION
1	34	#12-14 x 1" HWH Climaseal SDS #3 PT.
2	4	3/8"-12 x 1" Zinc HWH SDS #3 PT.
3	28	3/8" Zinc Medium Split Lock Washer
3	28	3/8"-16 x 1 1/4" Zinc Hex Cap Screw
3	56	3/8" x 1" O.D. Zinc Fender Washer
3	28	3/8"-16 Zinc Finished Hex Nut
4	10	1/2"-13 x 3 1/2" Zinc Hex Cap Screw
4	10	1/2" Zinc Medium Split Lock Washer
4	10	1/2"-13 Zinc Finished Hex Nut
4	20	1/2" x 1 1/4" O.D. Zinc Fender Washer

NOTES: 1) ALL NUMBERED FASTENERS LISTED ARE SUPPLIED BY API. ALL LETTERED FASTENERS LISTED ARE BY OTHERS. 2) EXPOSED FASTENERS SHALL BE PAINTED. 3) ANCHOR FASTENERS LISTED ARE SUGGESTED GC/INSTALLER SHALL VERIFY ANCHOR REQUIREMENTS.

FINISH SCHEDULE

ASSEMBLY	FINISH
CANOPY	T.B.D.


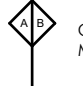

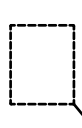

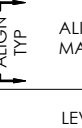
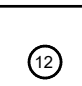
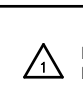




NOTE: POWDER COAT BY API.

SEAL:

CUSTOMER NAME:
 ADDRESS
 CITY, STATE, ZIP

GENERAL NOTES SYMBOLS CANOPY NOTES

1. ALL DIMENSIONS SHOWN SHALL BE VERIFIED BY CUSTOMER PRIOR TO FABRICATION.
 2. REQUEST FOR REVISIONS AFTER AMERICAN PRODUCTS, INC. (API) HAS BEEN RELEASED FOR FABRICATION MAY RESULT IN ADDITIONAL CHARGES FOR ENGINEERING, FABRICATION, HANDLING AND TRANSPORTATION. CHANGES MAY ADVERSELY AFFECT THE SCHEDULE.
 3. ANCHOR FASTENERS ARE BY OTHERS.

 NORTH ARROW	 CUT LINE MARKER	 FASTENER NUMBER
 DETAIL CALL OUT	 SECTION MARKER	 ALIGN MARKER
 ACM TAG	 REVISION NUMBER	 LEVEL TARGET
		

- 1: COLOR: T.B.D.
 2: CONTRACTOR TO CONFIRM ALL CANOPY DIMENSIONS.
 3: COORDINATE STEEL LOCATIONS SHOWN HEREIN WITH STEEL SHOP DRAWINGS
 4: EXCLUDES ALL WALL FASTENERS
 5: CONTRACTOR TO ENSURE UPPER BRACKET ASSEMBLY INSTALLED PLUMB, SQUARE, LEVEL AND IN ALIGNMENT PRIOR TO INSTALLATION OF ALUMINUM CANOPY
 6: CONTRACTOR TO ENSURE CANOPY ASSEMBLY PROPERLY SUPPORTED DURING HOISTING AND INSTALLATION
 7: REQUEST FOR REVISIONS AFTER AMERICAN PRODUCTS, INC (API) HAS BEEN RELEASED FOR FABRICATION MAY RESULT IN ADDITIONAL CHARGES FOR ENGINEERING, FABRICATION, HANDLING AND TRANSPORTATION. CHANGES MAY ADVERSELY AFFECT THE SCHEDULE.

These shop drawings remain the property of American Products, Inc. (API) and contain proprietary, competitive information which if released to any party other than the intended recipient, could cause an undetermined amount of harm to American Products, Inc. (API). Any reproduction and distribution of said drawings without the express written consent of American Products, Inc. (API) is strictly prohibited. Any charge for shop drawings, paid or owed by the intended recipient to American Products, Inc. (API) is considered a rental charge for the right to utilize said drawings in order to conduct business with American Products, Inc. (API)

ABBREVIATIONS

VIF = VERIFY IN FIELD FS = FRAME SIZE DLO = DAY LIGHT OPENING DO = DOOR OPENING TYP = TYPICAL RO = ROUGH OPENING F.F.= FINISHED FLOOR A.F.F.= ABOVE FINISHED FLOOR BM = BENCHMARK	CS = CAP SCREW FH = FLAT HEAD FN = FINISHED NUT FW = FLAT WASHER FUH = FLAT UNDERCUT HEAD HWH = HEX WASHER HEAD MTH = MODIFIED TRUSS HEAD OA = OVERALL PD = PHILLIPS DRIVE	PT = POINT SDS = SELF-DRILLING SCREW SMS = SHEET METAL SCREW TBD = TO BE DETERMINED TCS = THREAD CUTTING SCREW UON = UNLESS OTHERWISE NOTED
---	--	--

DATE:					
REV #:					
DATE:	?				
DRAWN BY:	PBD				
PM:	?				
CONTENTS:	COVER SHEET				
SHEET #:	A000				
JOB #:	AAAA-00000				



AMERICAN

PRODUCTS, INC.

13909 LYNMAR BLVD.

TAMPA, FL 33626

PH. (813)925-0144

WWW.AMERICANPRODUCTS.COM
CONTACT: KERRI BEALS

API RECOMMENDS THAT THE NOTE
BELOW APPEARS WITH STOREFRONT
ELEVATIONS AND SECTION VIEW
DETAILS IN YOUR DRAWINGS

STOREFRONT AND RELATED
MATERIALS PROVIDED BY
AMERICAN PRODUCTS, INC. (API).
NO SUBSTITUTIONS WITHOUT
WRITTEN CONSENT FROM STORE
OWNER/ARCHITECT.
API (813)925-0144

SEAL:

CUSTOMER NAME:
ADDRESS
CITY, STATE, ZIP

REV#:	DATE:	DESCRIPTION:

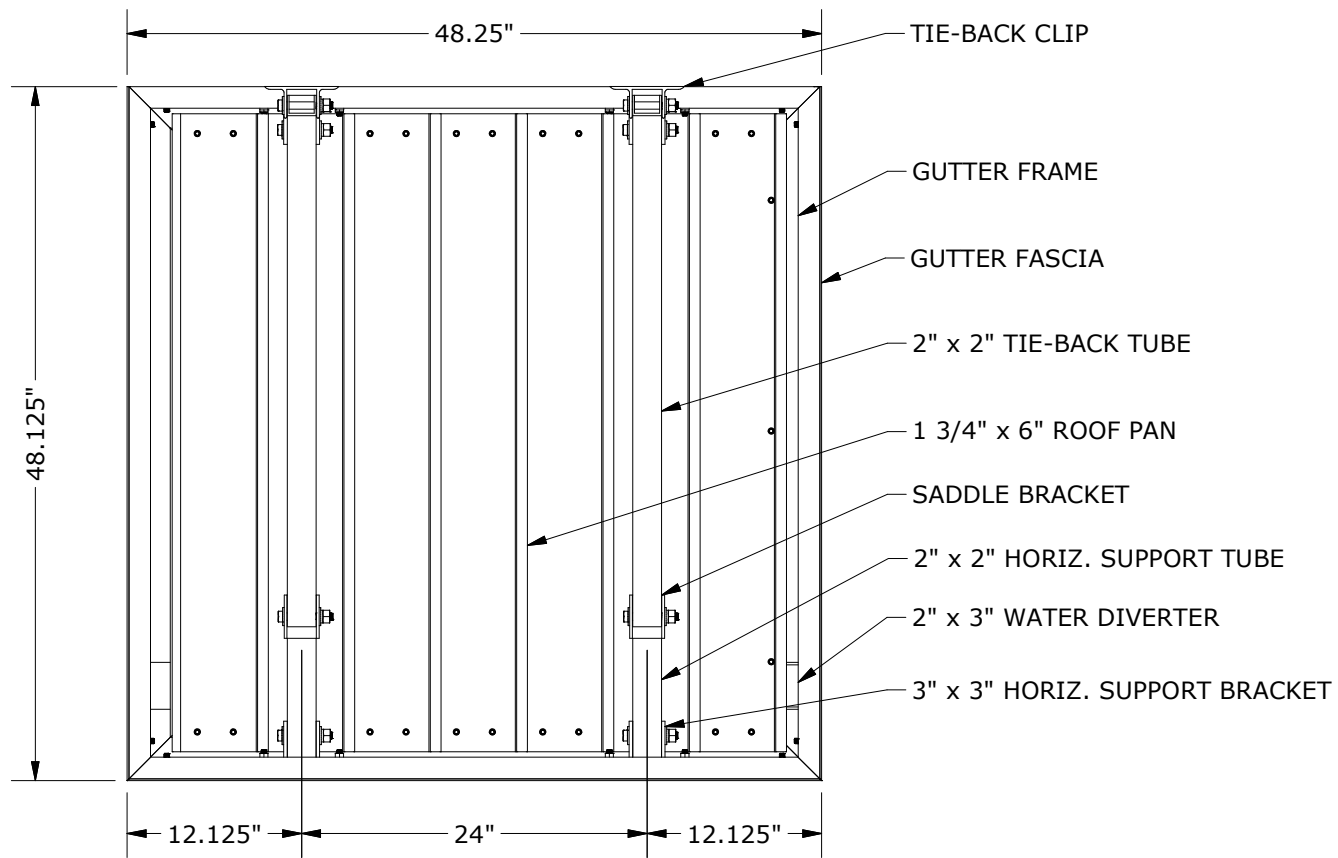
DATE: ?
DRAWN BY: PBD
PM: ?

CONTENTS:
PLAN / SECTION

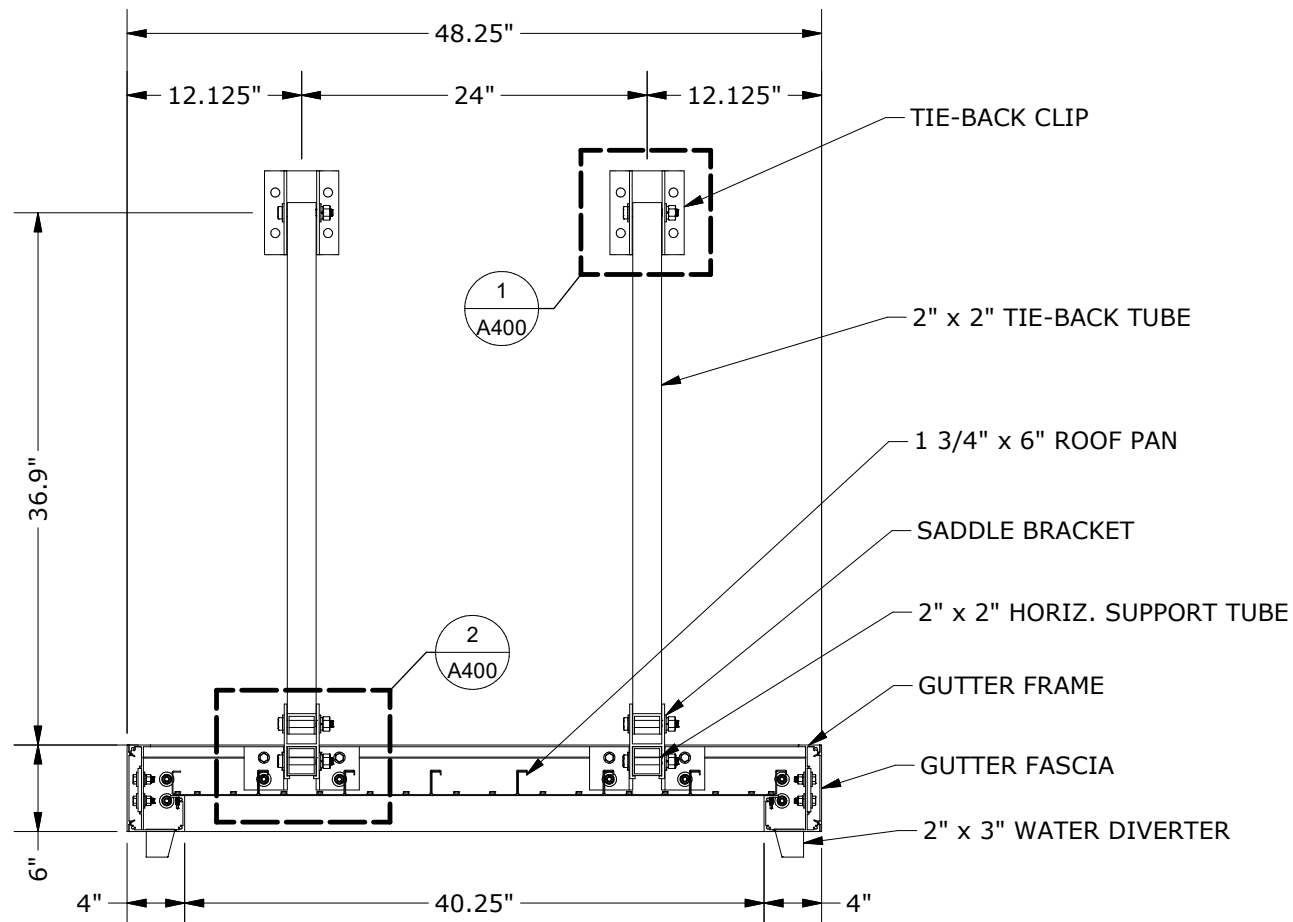
SHEET #:

A100

JOB #: AAAO-00000



1 CANOPY
A100 PLAN NTS



2 CANOPY
A100 SECTION NTS



AMERICAN

PRODUCTS, INC.

13909 LYNMAR BLVD.

TAMPA, FL 33626

PH. (813)925-0144

WWW.AMERICANPRODUCTS.COM
CONTACT: KERRI BEALS

API RECOMMENDS THAT THE NOTE
BELOW APPEARS WITH STOREFRONT
ELEVATIONS AND SECTION VIEW
DETAILS IN YOUR DRAWINGS

STOREFRONT AND RELATED
MATERIALS PROVIDED BY
AMERICAN PRODUCTS, INC. (API).
NO SUBSTITUTIONS WITHOUT
WRITTEN CONSENT FROM STORE
OWNER/ARCHITECT.
API (813)925-0144

SEAL:

CUSTOMER NAME:
ADDRESS
CITY, STATE, ZIP

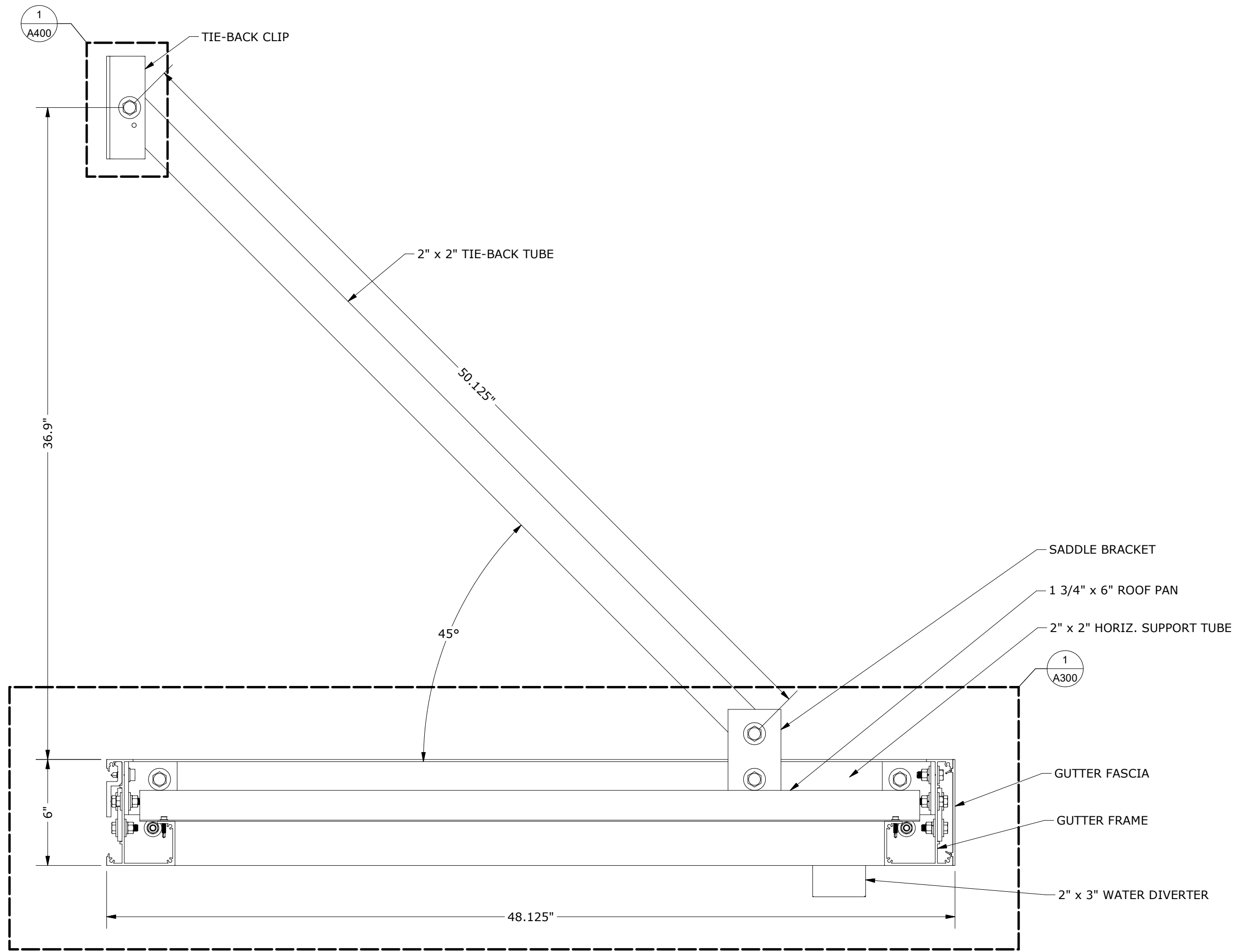
REV#:	DATE:	DESCRIPTION:

DATE: ?
DRAWN BY: PBD
PM: ?

CONTENTS:
SECTION

SHEET #:
A200

JOB #: AAAO-00000



API RECOMMENDS THAT THE NOTE BELOW APPEARS WITH STOREFRONT ELEVATIONS AND SECTION VIEW DETAILS IN YOUR DRAWINGS

STOREFRONT AND RELATED MATERIALS PROVIDED BY AMERICAN PRODUCTS, INC. (API). NO SUBSTITUTIONS WITHOUT WRITTEN CONSENT FROM STORE OWNER/ARCHITECT. API (813)925-0144

SEAL:

CUSTOMER NAME:

ADDRESS

CITY, STATE, ZIP

DESCRIPTION:

DATE:

REV#:

DATE: ?
DRAWN BY: PBD
PM: ?

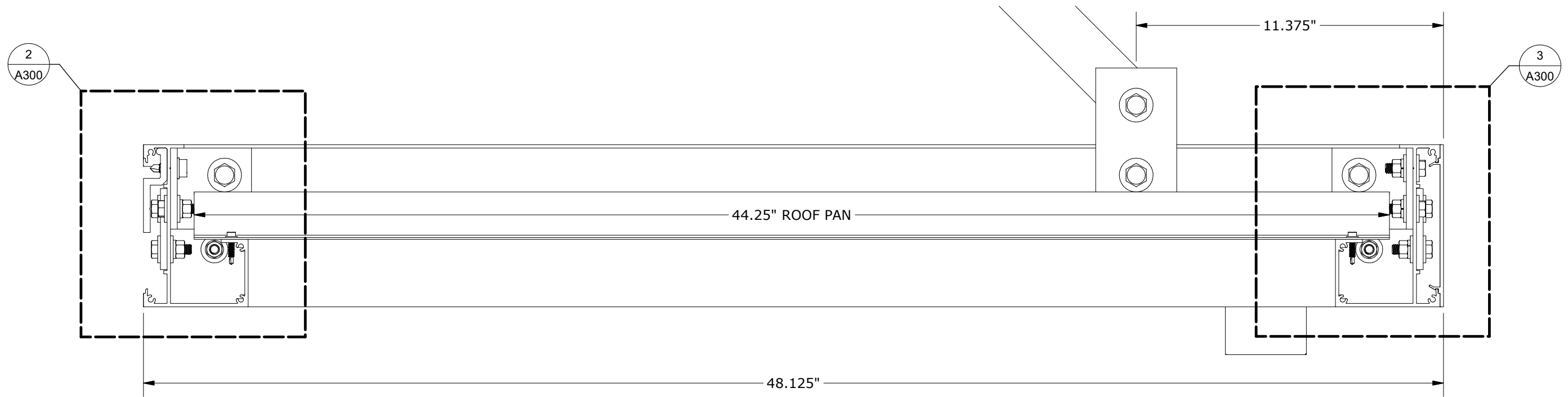
CONTENTS:

SECTION

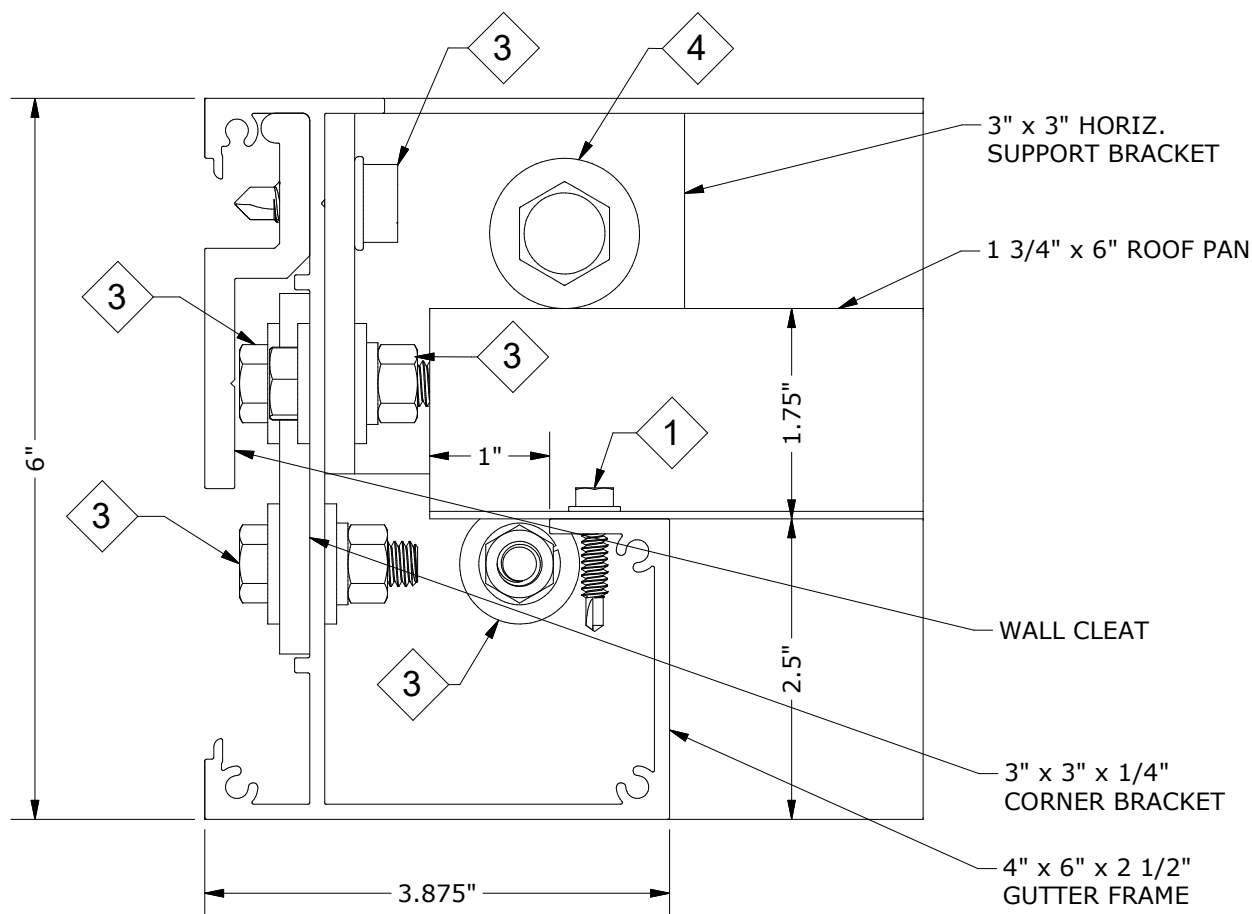
SHEET #:

A300

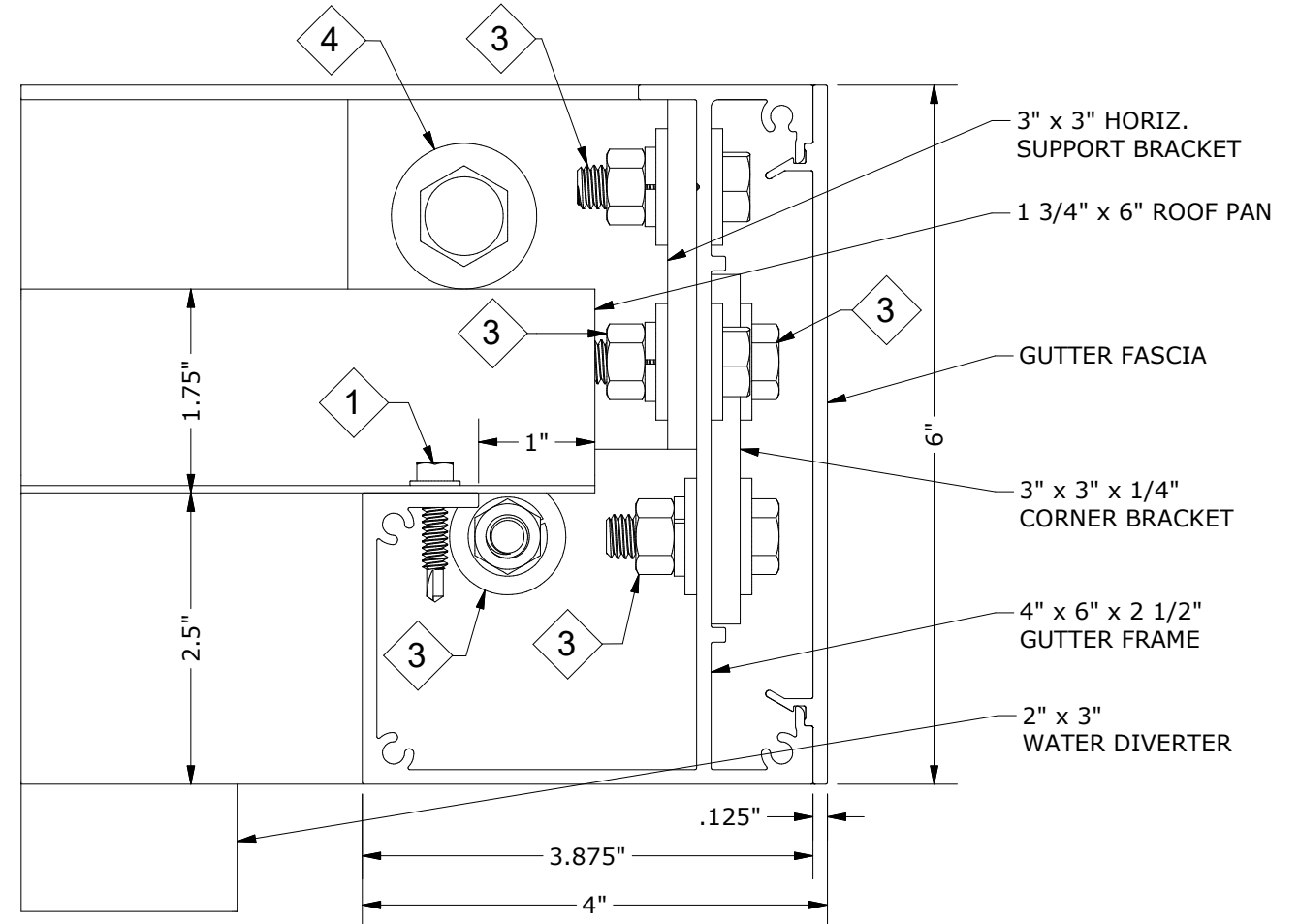
JOB #: AAAO-00000



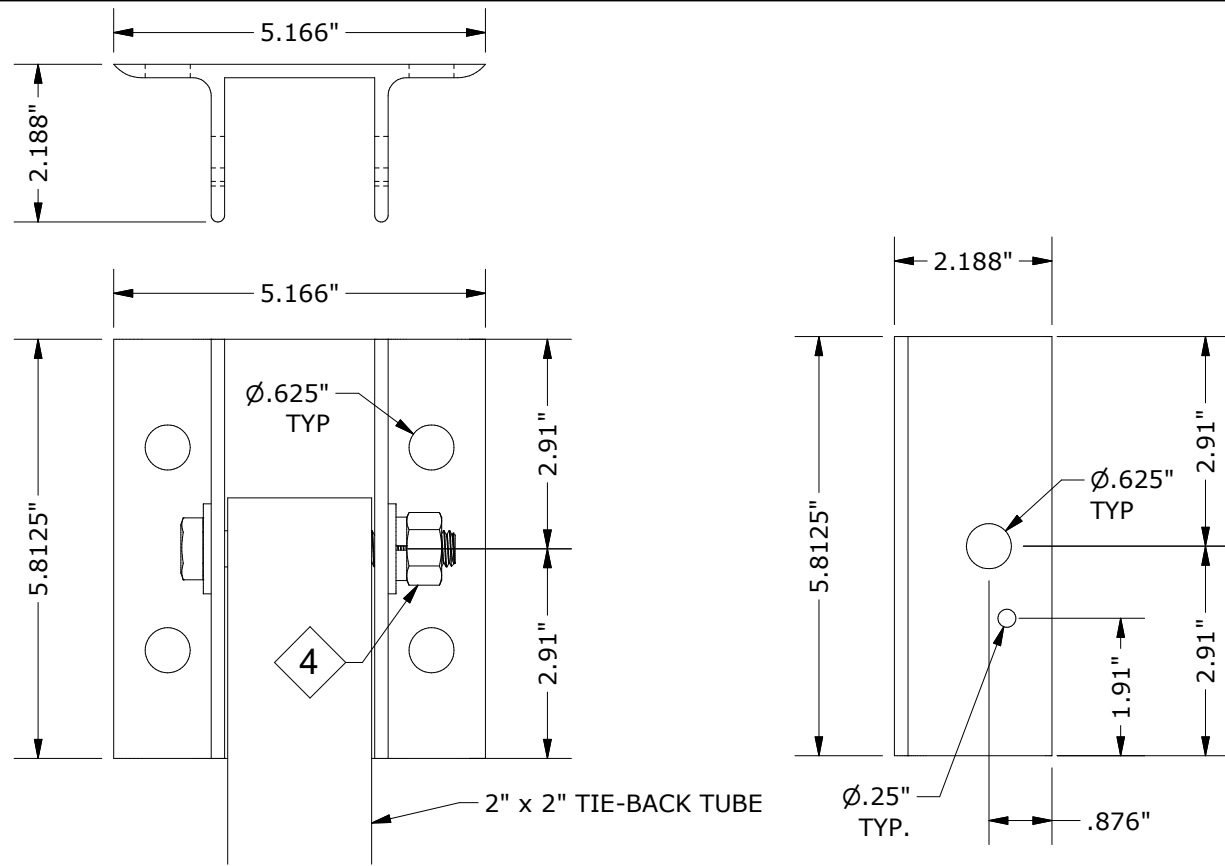
1 CANOPY SECTION NTS
A300



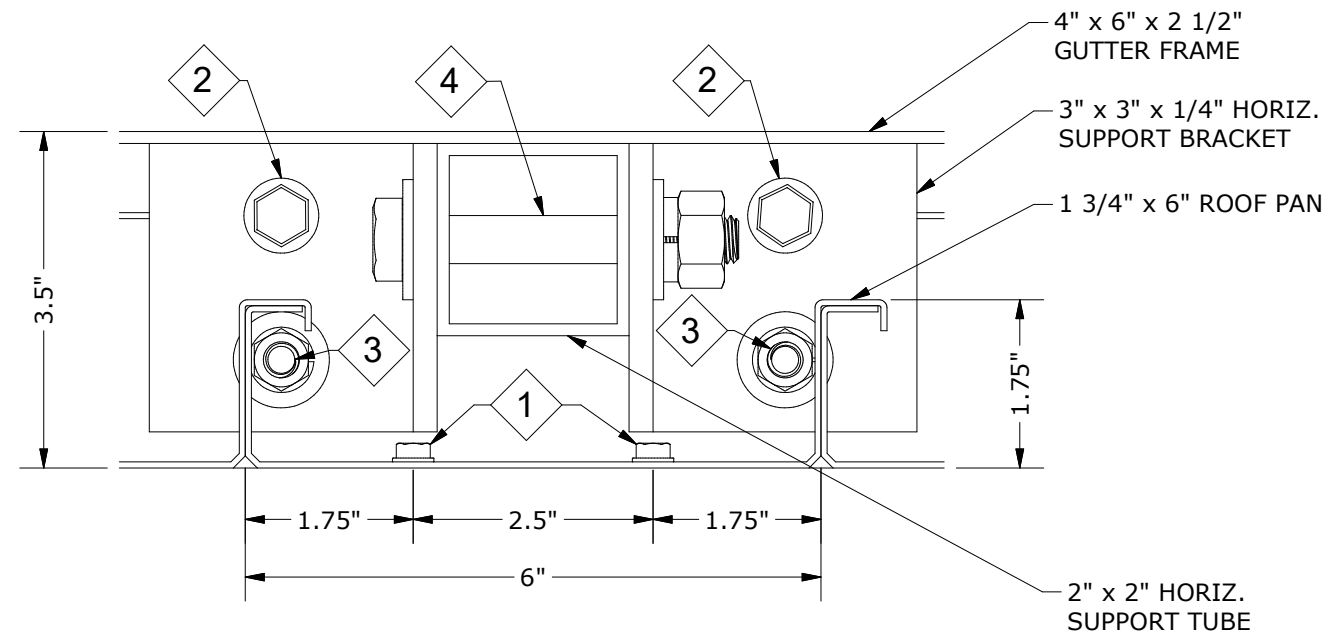
2 DETAIL SECTION NTS
A300



3 DETAIL SECTION NTS
A300



1 WALL BRACKET
A300 ELEVATION NTS



2 WALL ANCHOR
A300 SECTION NTS

3 DETAIL
A300 PLAN/SECT NTS

4 DETAIL
A300 PLAN/SECT NTS



AMERICAN

PRODUCTS, INC.

13909 LYNMAR BLVD.

TAMPA, FL 33626

PH. (813)925-0144

WWW.AMERICANPRODUCTS.COM

CONTACT: KERRI BEALS

API RECOMMENDS THAT THE NOTE

BELOW APPEARS WITH STOREFRONT

ELEVATIONS AND SECTION VIEW

DETAILS IN YOUR DRAWINGS

STOREFRONT AND RELATED

MATERIALS PROVIDED BY

AMERICAN PRODUCTS, INC. (API).

NO SUBSTITUTIONS WITHOUT

WRITTEN CONSENT FROM STORE

OWNER/ARCHITECT.

API (813)925-0144

SEAL:

CUSTOMER NAME:

ADDRESS

CITY, STATE, ZIP

DESCRIPTION:

DATE:

REV#:

DATE: ?

DRAWN BY: PBD

PM: ?

CONTENTS:

DETAILS

SHEET #:

A400

JOB #: AAAO-00000