

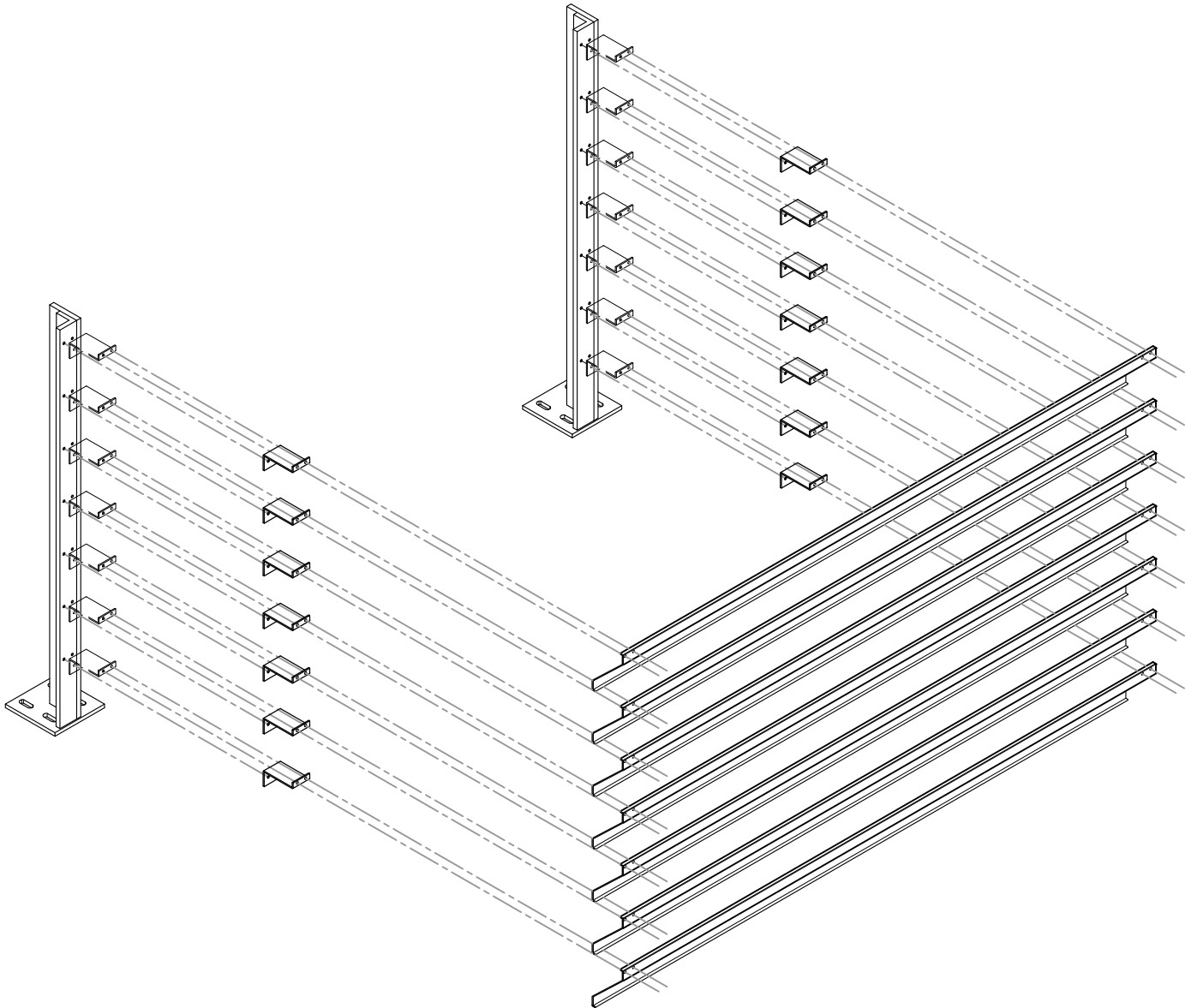


AMERICAN  
PRODUCTS, INC.

LOUVERS

PRIVACY BARRIERS  
UTILITY ROOF SCREENS

# INSTALLATION INSTRUCTIONS





# TABLE OF CONTENTS

## PARTS LIST

Posts, Attachment Clips, Louvers, and Fasteners. . . . .Page 1 - 2

## LOUVER UTILITY ROOF SCREEN INSTALLATION

Base Support . . . . .Page 3

Attachment Angles . . . . .Page 4 - 6

Attachment Clips . . . . .Page 7

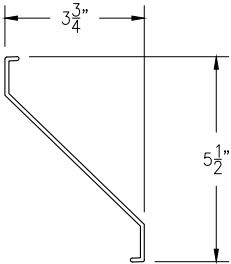
Louvers . . . . .Page 8

Intermediate Support Angle . . . . .Page 9 - 10

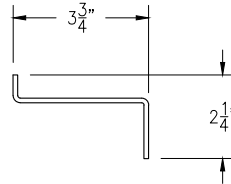
Corner Cover . . . . .Page 11

**NOTE:**  
 DRAWINGS NOT SHOWN TO SCALE  
 UNLESS OTHERWISE NOTED.

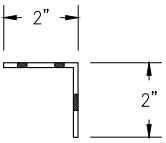
# PARTS LIST



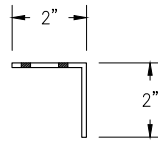
URSL60406  
 LOUVER FIN



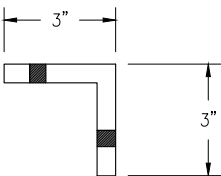
URSAB225363-02  
 ATTACHMENT BRACKET



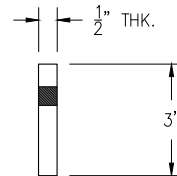
X13315-MOD-VA  
 VERTICAL ATTACHMENT ANGLE



X13315-MOD-IA  
 INTERMEDIATE ANGLE SUPPORT



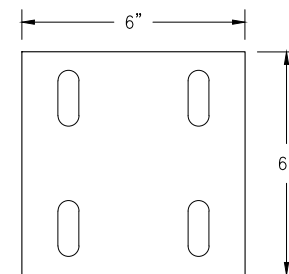
XS13340  
 STEEL CORNER POST



XS11490  
 STEEL INTERMEDIATE VERTICAL POST

**NOTE 1A:**  
 LOUVER FINs ARE PROVIDED IN  
 24' STOCK LENGTHS.

**NOTE 1B:**  
 BASE PLATE AND STEEL VERTICAL  
 SUPPORTS ARRIVE PRE-ASSEMBLED.

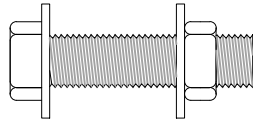


XS11575-MOD  
 BASE PLATE

# PARTS LIST - FASTENERS



FA0011  
 TEK SCREW FOR BLADE CONNECTION #12 X 1-1/4"

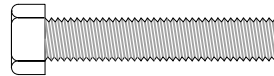


FA0011A  
 1/2"-13 SAE GRADE 5 THURBOLTS WITH 1/2"φ  
 SAE NOMINAL WASHERS & NUTS  
 (SEE NOTE 2A)

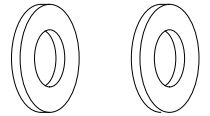
**NOTE 2A:**

Bolt assembly FA0011A includes the following-

- FA0011AC1: (1) 3/8" -16 x 2 Hex Bolt
- FA0011AC2: (2) 3/8" Flat Washers
- FA0011AC3: (1) 3/8" Lock Washer
- FA0011AC4: (1) 3/8"-16 Hex Lock Nut



FA0011AC1  
 3/8"-16 X 2 HEX BOLT



FA0011AC2  
 3/8" FLAT WASHERS



FA0011AC3  
 3/8" LOCK WASHER



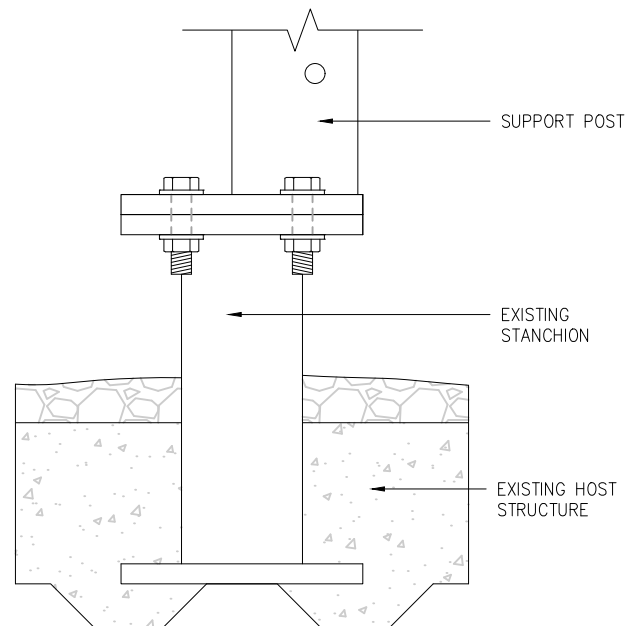
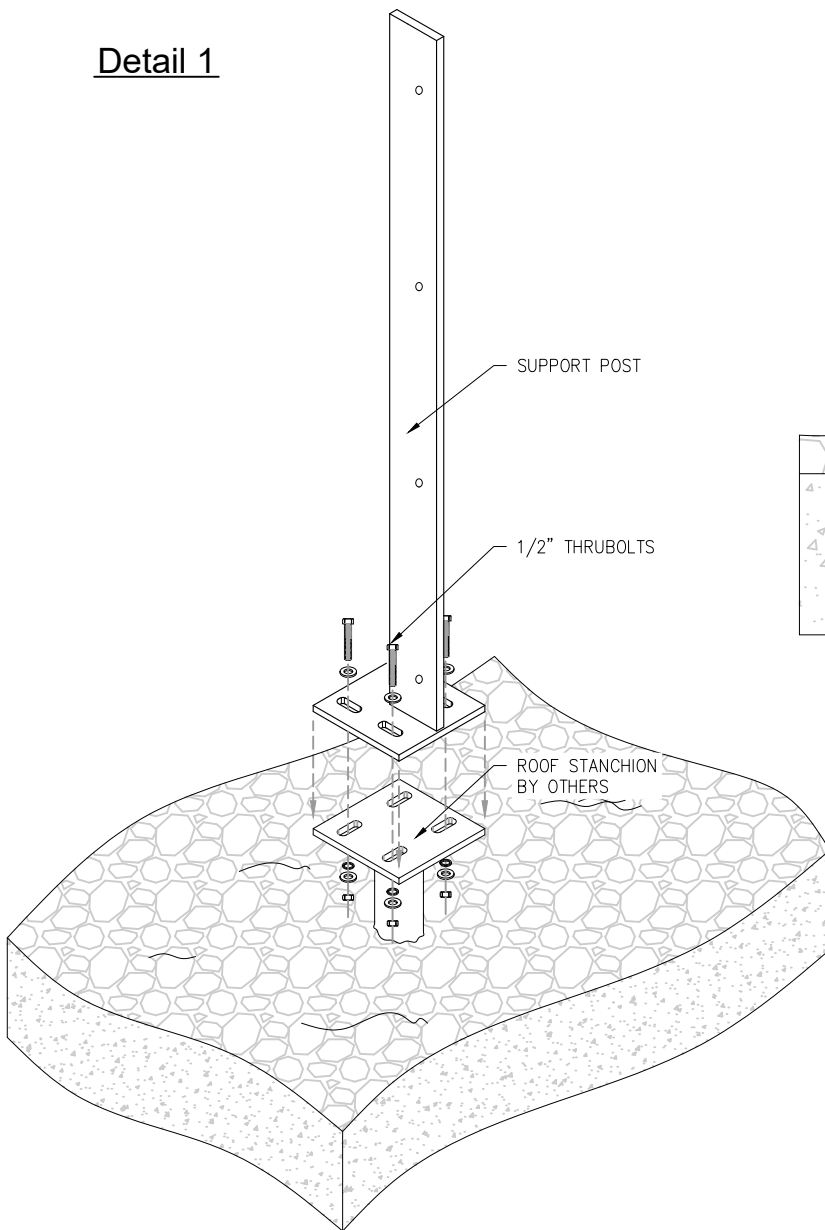
FA0011AC4  
 3/8"-16 HEX LOCK NUT

# UNIT INSTALLATION

## STEP 1

Attach support posts to existing stanchion base of host structure.

Detail 1



Detail 2

### PROCEDURE:

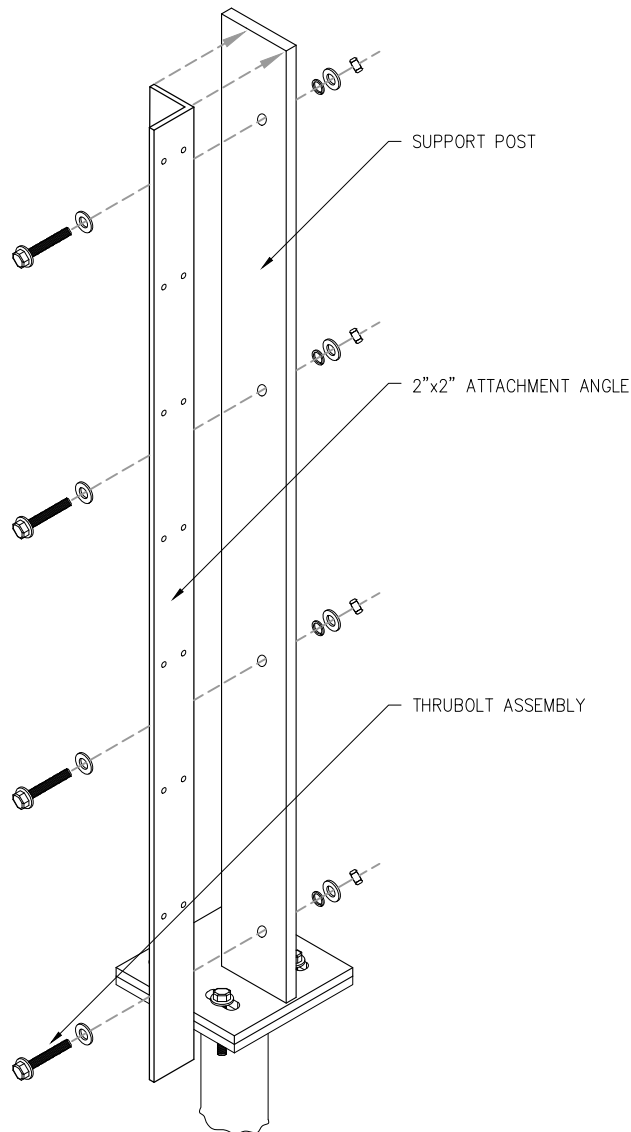
1. Place support posts on existing stanchion and align.
2. Bolt base post with (4) 1/2"-13 SAE Grade 5 thru-bolts with 1/2"Ø SAE nominal washers & nuts.

# UNIT INSTALLATION

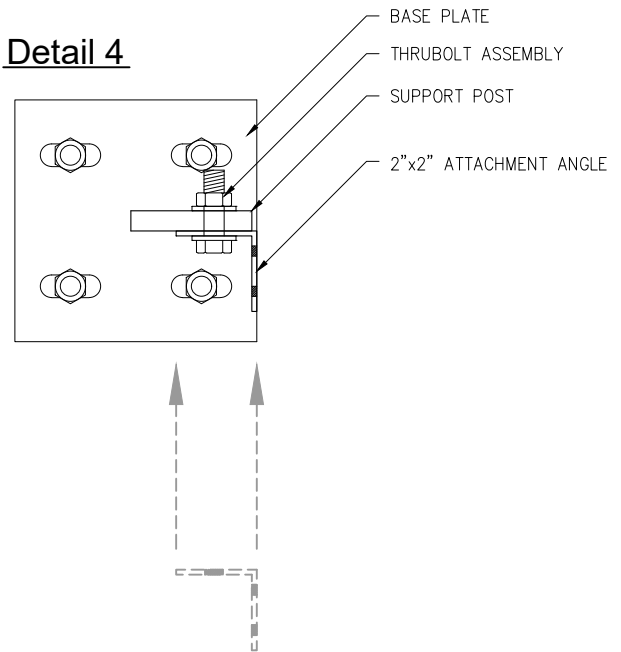
## STEP 2

Bolt Attachment Angles for Typical Inline and Termination Assemblies.

### Detail 3



### Detail 4



### PROCEDURE:

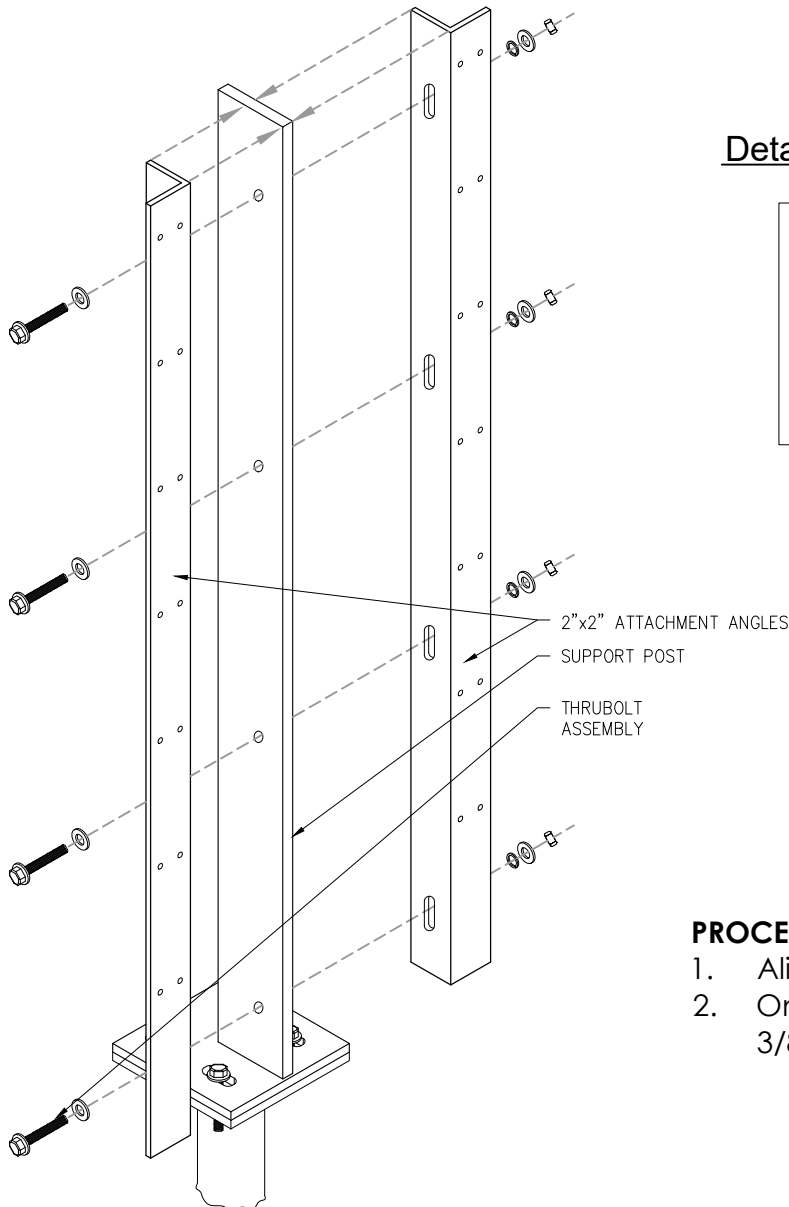
1. Align 2"x2"x1/8" angle to support post.
2. Once angle is in place, anchor with 3/8"-16x2" bolts in fixed holes.

# UNIT INSTALLATION

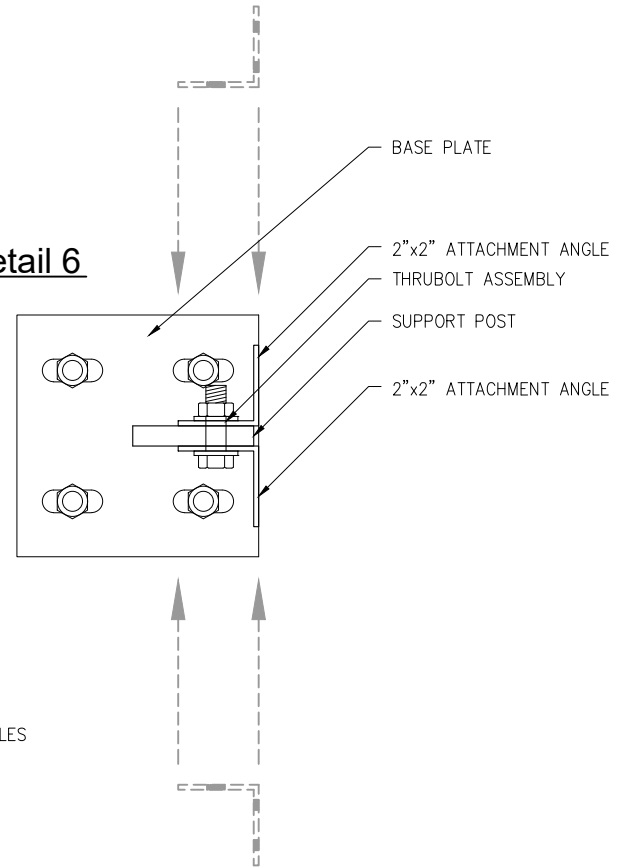
## STEP 3

Bolt Attachment Angles for Seam  
 Connection Assembly.

### Detail 5



### Detail 6



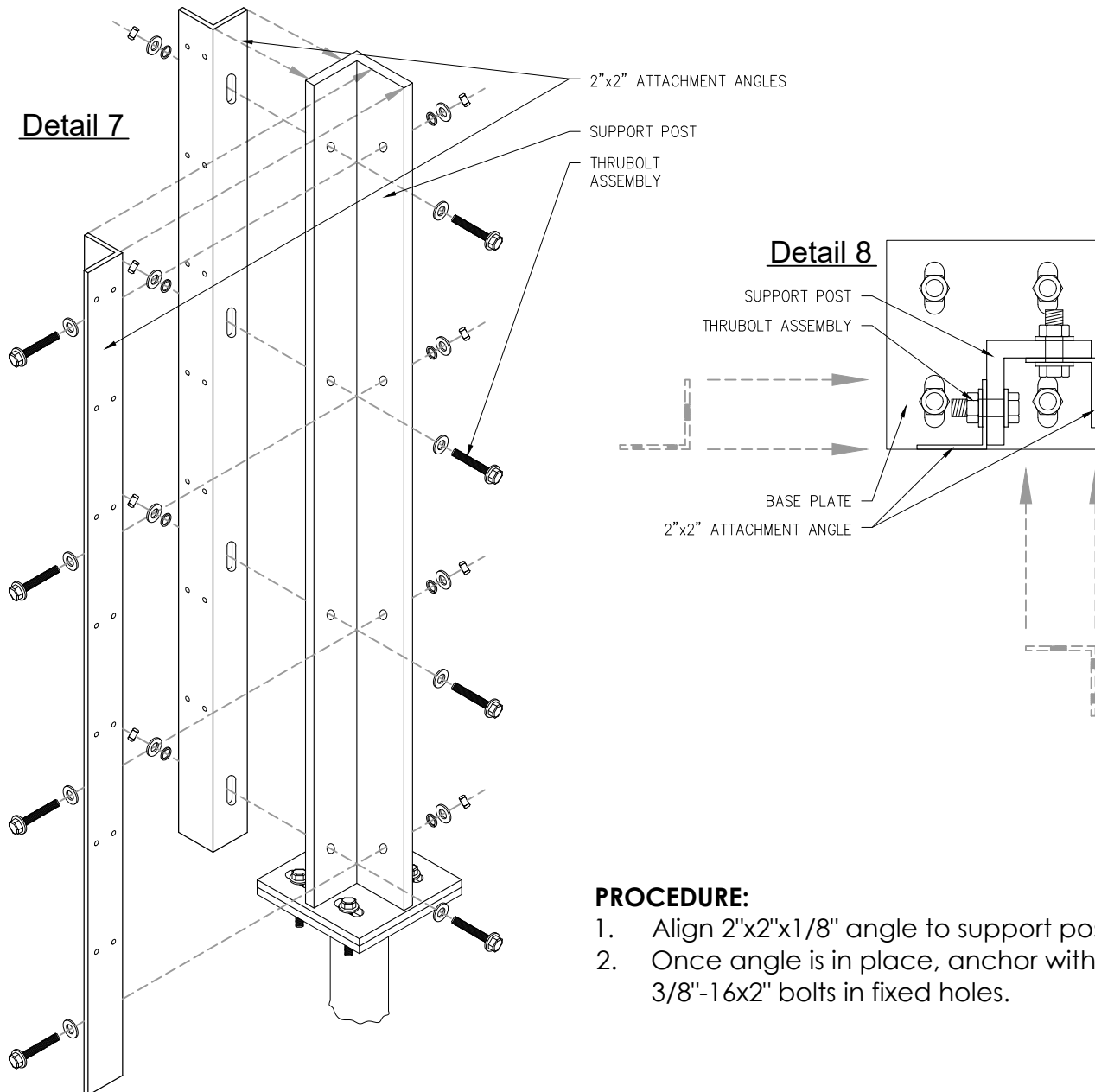
### PROCEDURE:

1. Align 2"x2"x1/8" angle to support post.
2. Once angle is in place, anchor with 3/8"-16x2" bolts in fixed holes.

# UNIT INSTALLATION

## STEP 4

Bolt Attachment Angles for Corner Connection Assembly.



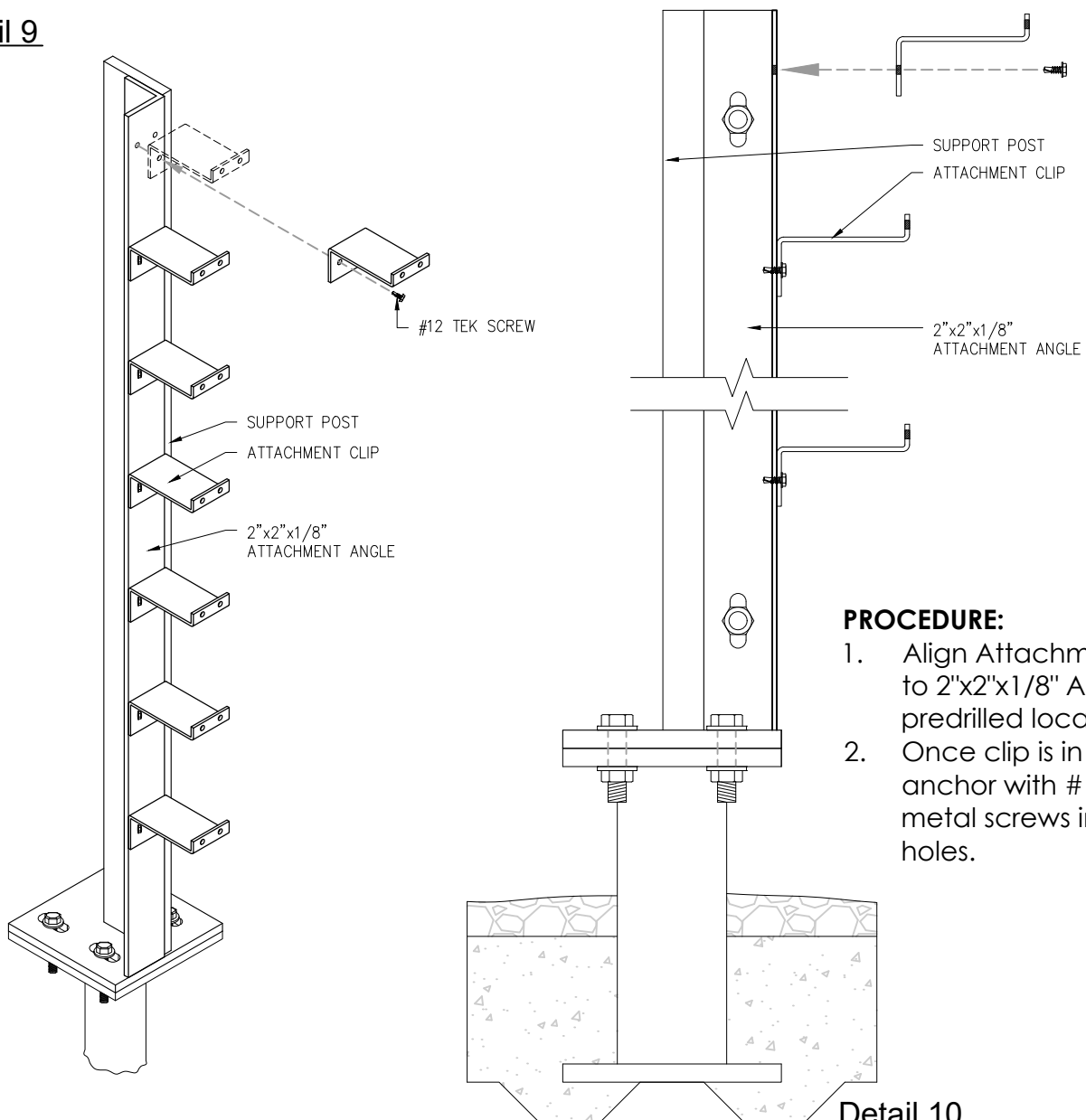


# UNIT INSTALLATION

## STEP 5

Fasten Attachment Clips to Angles with #12 Sheet Metal Screws.

### Detail 9

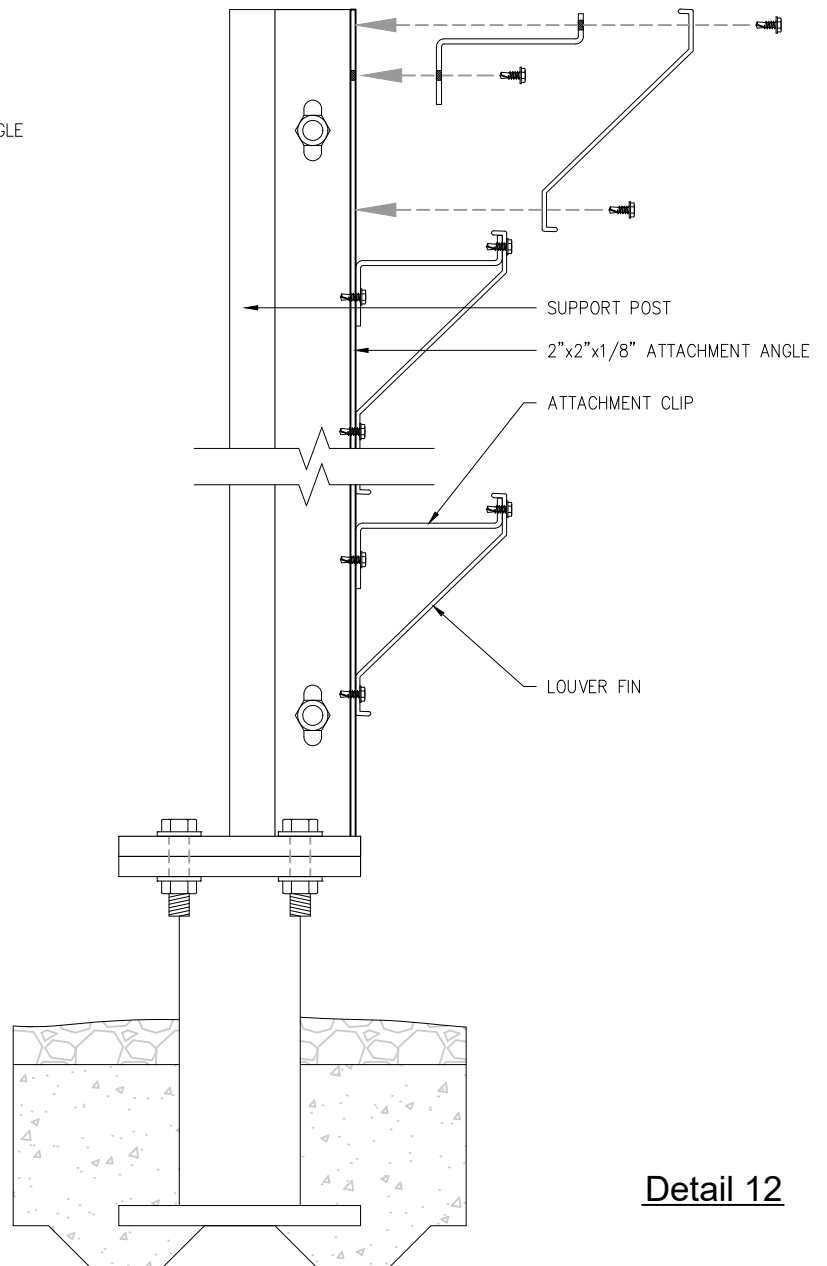
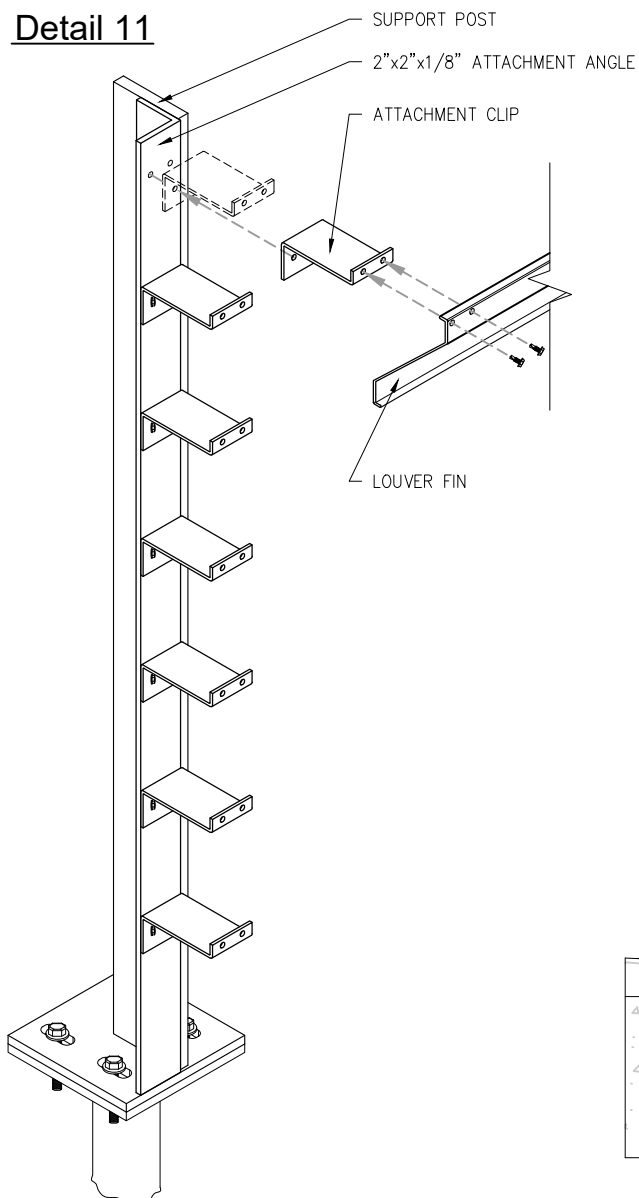


# UNIT INSTALLATION

## STEP 6

Fasten Louvers to Attachment Clips with #12 TEK Screws.

**Detail 11**

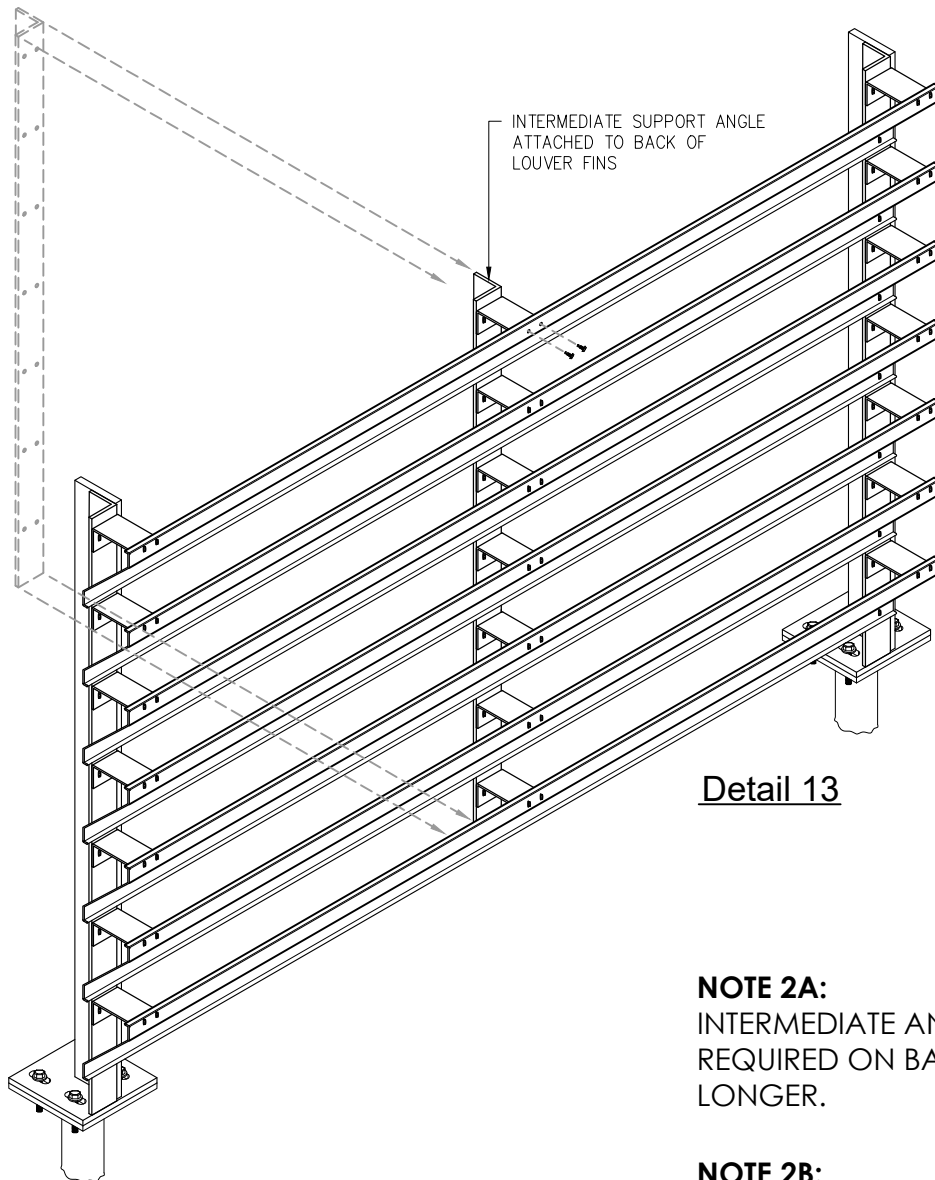


**Detail 12**

## UNIT INSTALLATION

### STEP 7

Install Intermediate Support Angles with Attachment Clips by fastening to the backside of Louver Fins with #12 TEK Screws.



Detail 13

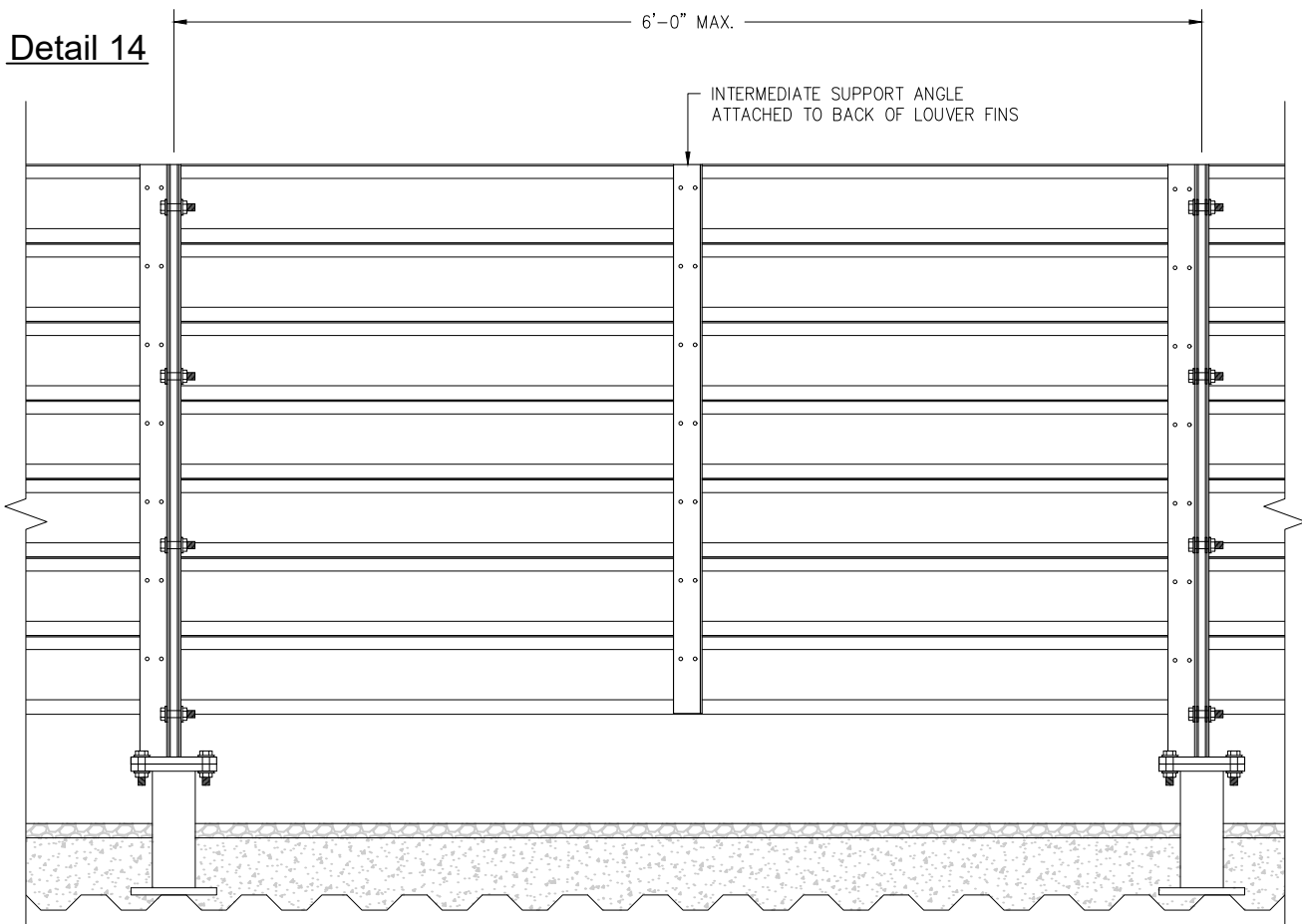
**NOTE 2A:**  
INTERMEDIATE ANGLES ONLY  
REQUIRED ON BAYS 5'-0" OR  
LONGER.

**NOTE 2B:**  
MAXIMUM BAY WIDTH IS 6'-0".

## UNIT INSTALLATION

### STEP 7 (con't.)

Install Intermediate Support Angles with Attachment Clips by fastening to the backside of Louver Fins with #12 TEK Screws.



**NOTE 3A:**  
INTERMEDIATE ANGLES ONLY  
REQUIRED ON BAYS 5'-0" OR  
LONGER.

**NOTE 3B:**  
MAXIMUM BAY WIDTH IS 6'-0".



AMERICAN PRODUCTS, INC.

LOUVERS

PRIVACY BARRIERS  
UTILITY ROOF SCREENS

# UNIT INSTALLATION

## STEP 8

Install Corner Cover by fastening with #12 TEK Screws.

