

INSTALLATION INSTRUCTIONS

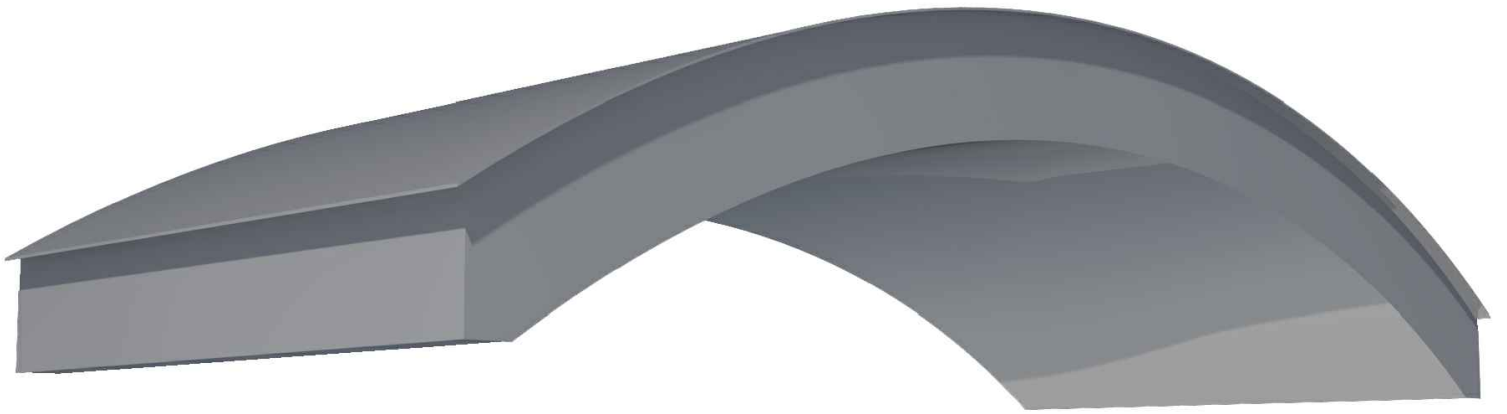


TABLE OF CONTENTS

PARTS DESCRIPTION

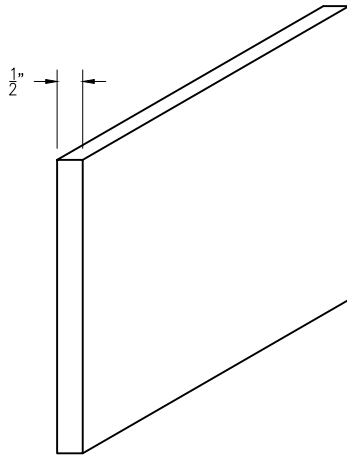
Canopy Members and Accessories Page 1

CANOPY ASSEMBLY

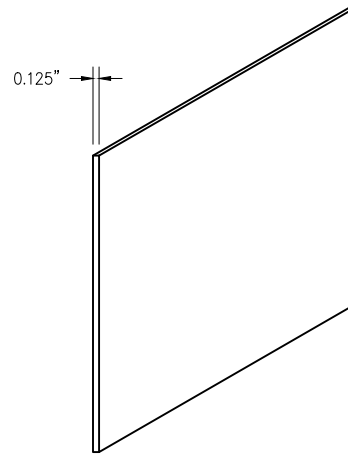
Locating Canopy PlacementPage 2
Fastening Canopy to Structure.....Page 3
Fastening Aluminum Sheet SoffitPage 4

NOTE:
DRAWINGS NOT SHOWN TO SCALE
UNLESS OTHERWISE NOTED.

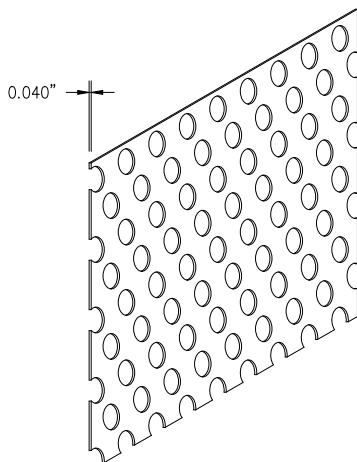
PARTS LIST



PART #
1/2" ALUMINUM PLATE FRAME



PART #
.125" ALUMINUM SHEET SOFFIT

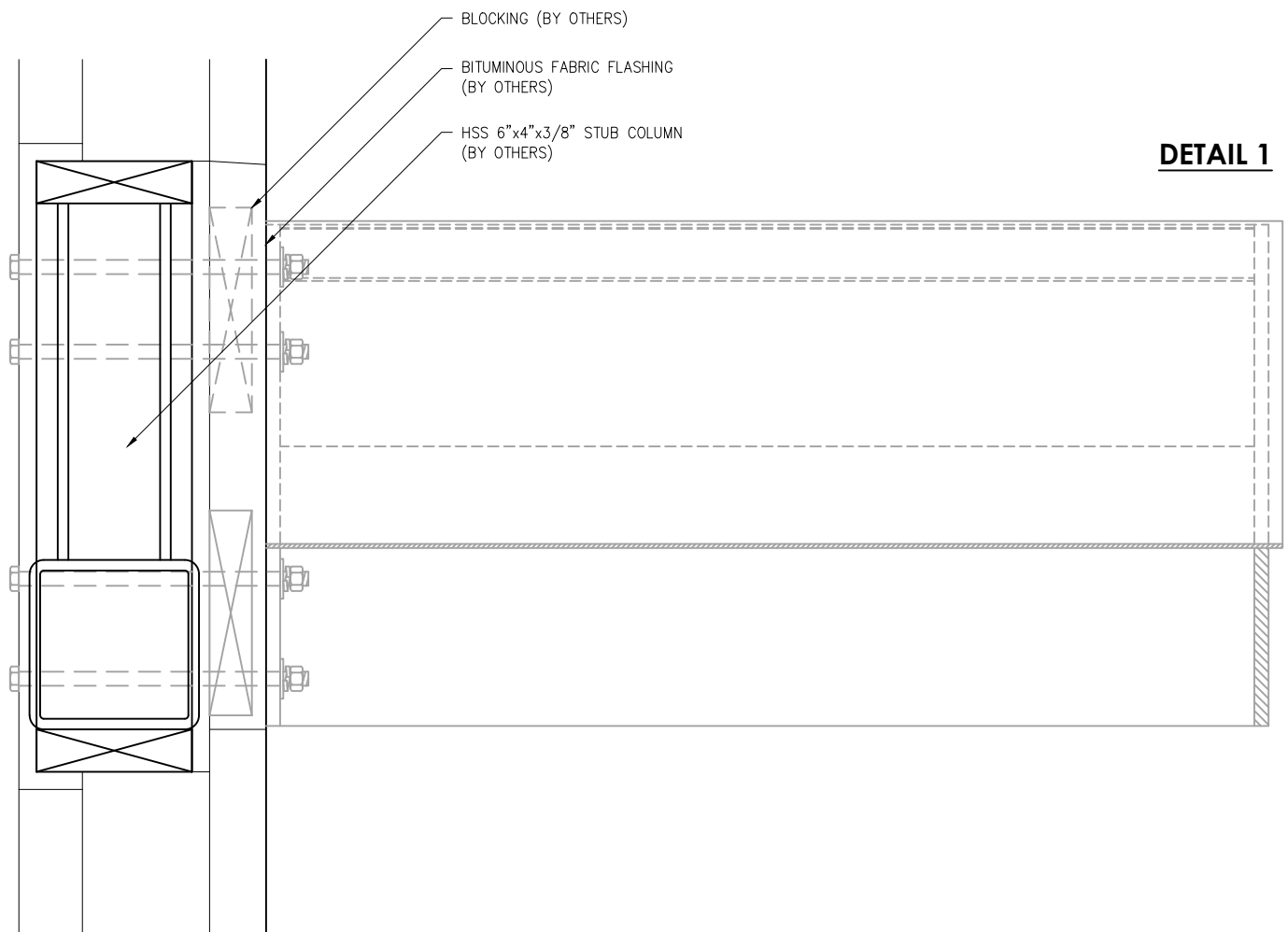


PART #
PERFORATED SOFFIT (OPTIONAL)

STEP 1:

PROCEDURES:

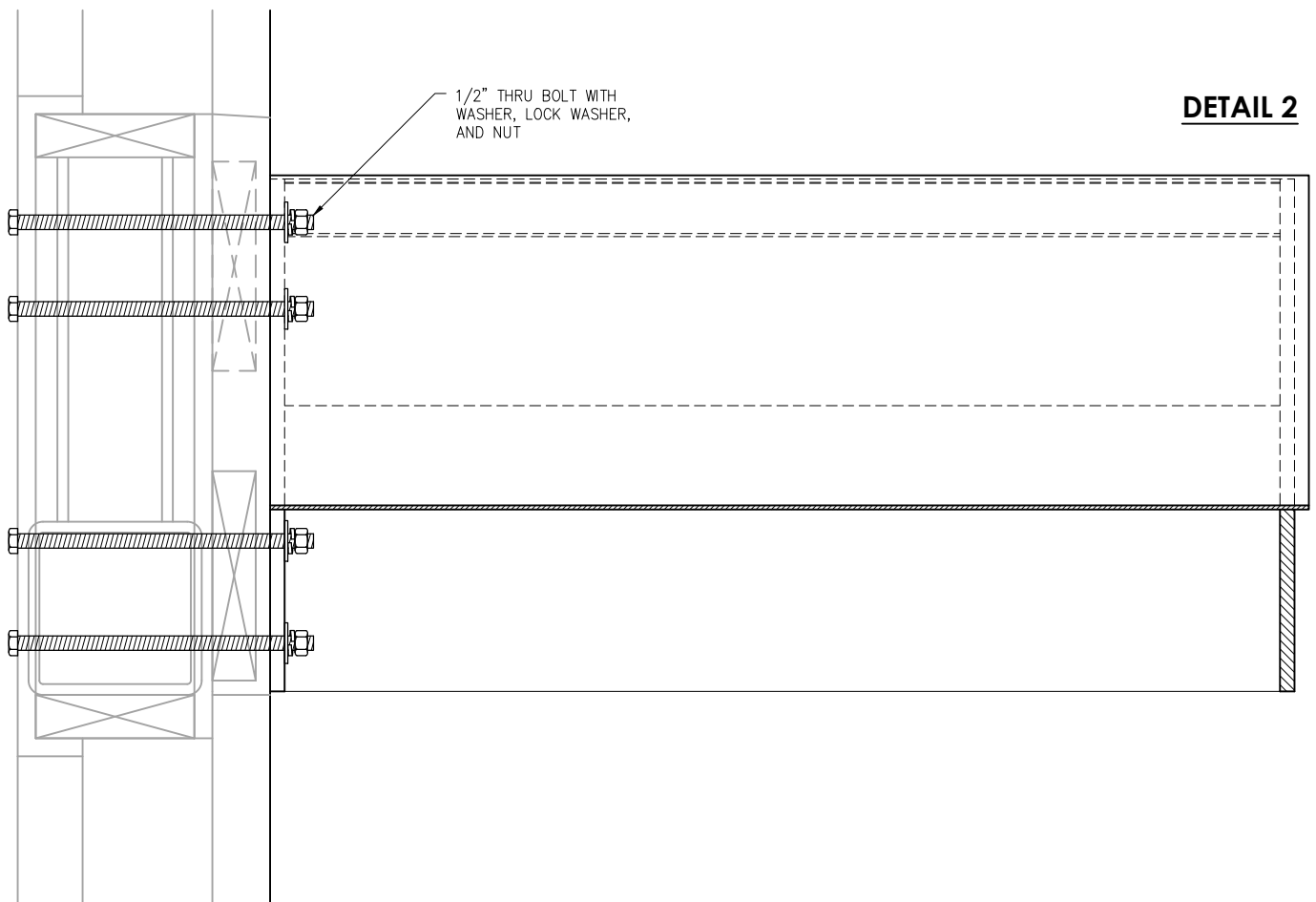
- Identify on the wall of the structure existing HSS 6" x 4" x 3/8" Stub Column.
- Ensure location specified for arched canopy is level, true, and clear of dirt.
- The contractor is responsible to insulate aluminum members from dissimilar metals to prevent electrolysis.
- Suspend canopy on the wall in the location provided on customer prints.
(See **DETAIL 1**)



STEP 2:

PROCEDURES:

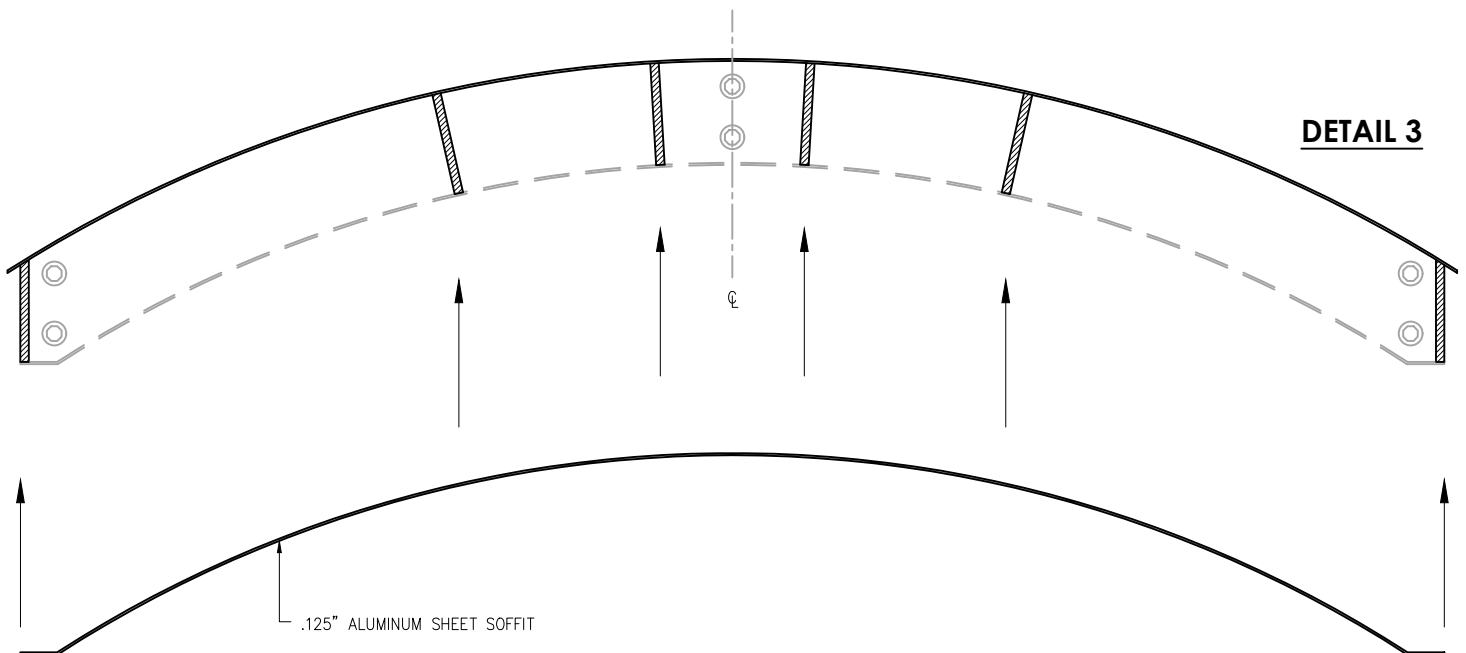
- With canopy tight to the wall, fasten into place with 1/2" thru bolt with washer, lock washer, and nut (provided by others); through both the blocking and HSS at predrilled locations on canopy. (see **DETAIL 2**)



STEP 3

PROCEDURES:

- Once canopy is securely in place, fasten .125" aluminum sheet soffit into place. (see **DETAIL 3**)
- Contractor to ensure waterproofing per waterproofing manufacturers recommended increments.



DETAIL 4

