

INSTALLATION INSTRUCTIONS

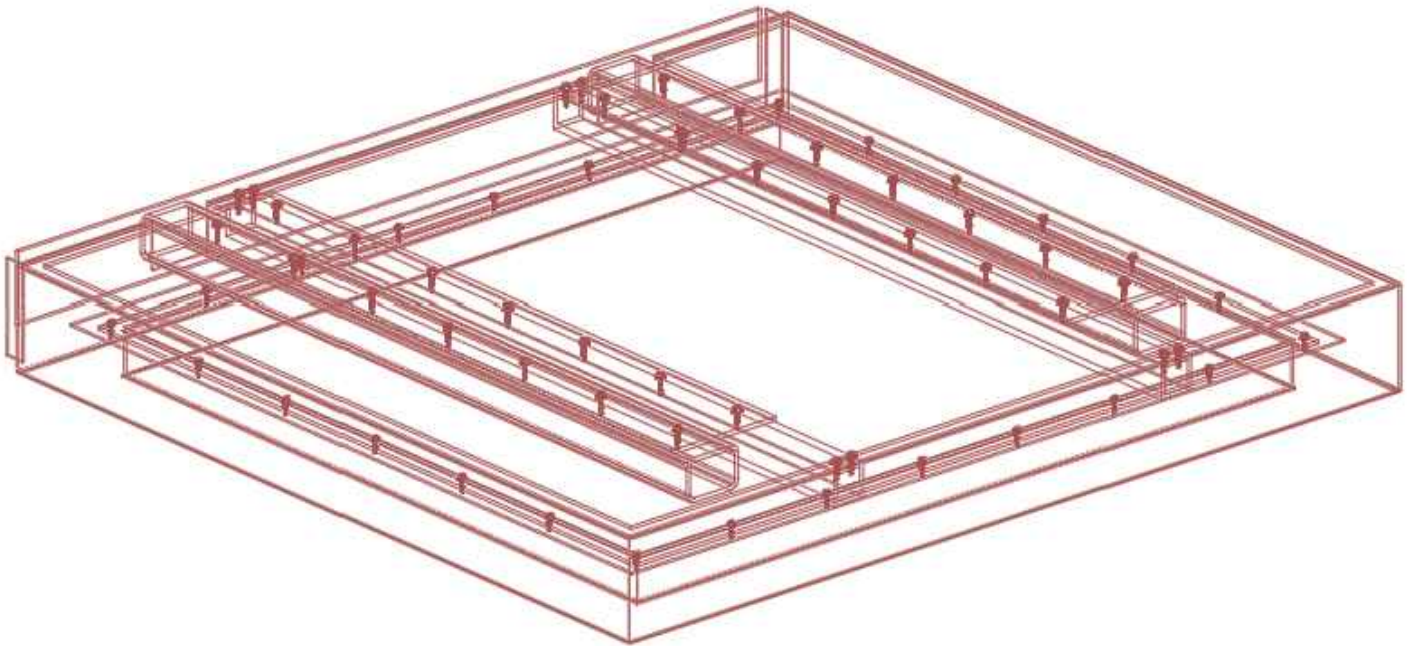


TABLE OF CONTENTS

PARTS DESCRIPTION

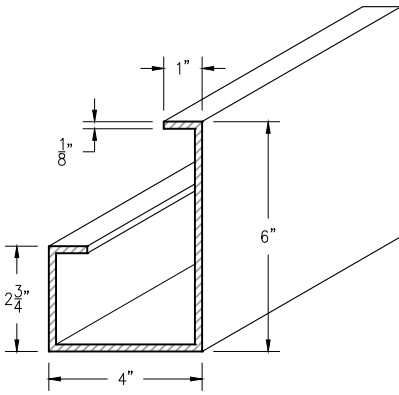
Canopy Members and Accessories Page 1

CANOPY ASSEMBLY

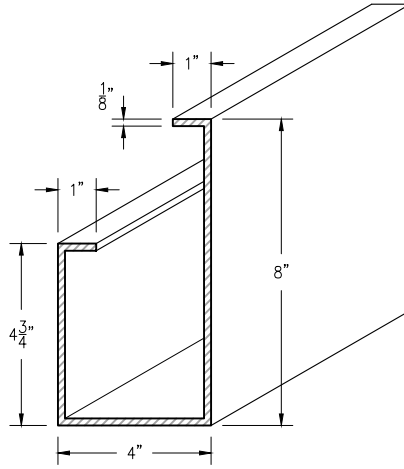
Attach Canopy to Wall Page 2 - 4
Apply Sealant to Frame Page 4
Attach Light Strip Under Face of Canopy Page 5

NOTE:
DRAWINGS NOT SHOWN TO SCALE
UNLESS OTHERWISE NOTED.

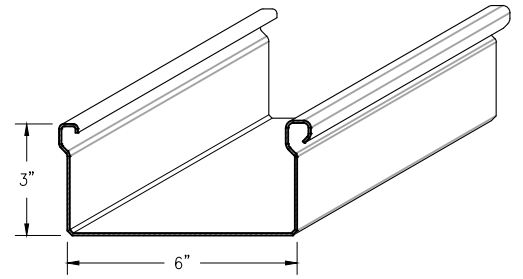
PARTS LIST



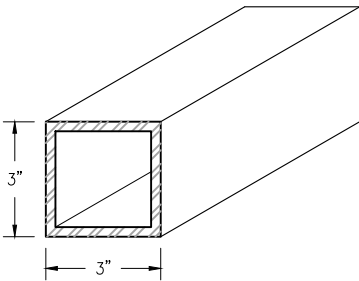
PART #
 6" GUTTER BEAM (STANDARD)



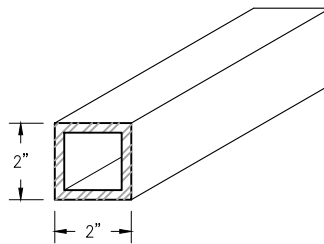
PART #
 8" GUTTER BEAM (OPTIONAL)



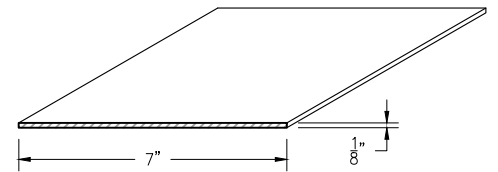
PART #
 SELF-MATING DECKING



PART #
 3"x3" HSS



PART #
 2"x2" STIFFENER TUBE



PART #
 7" FLAT PLATE



PART #
 #14 316 SS SHEET METAL SCREW
 WITH 5/8" WASHER

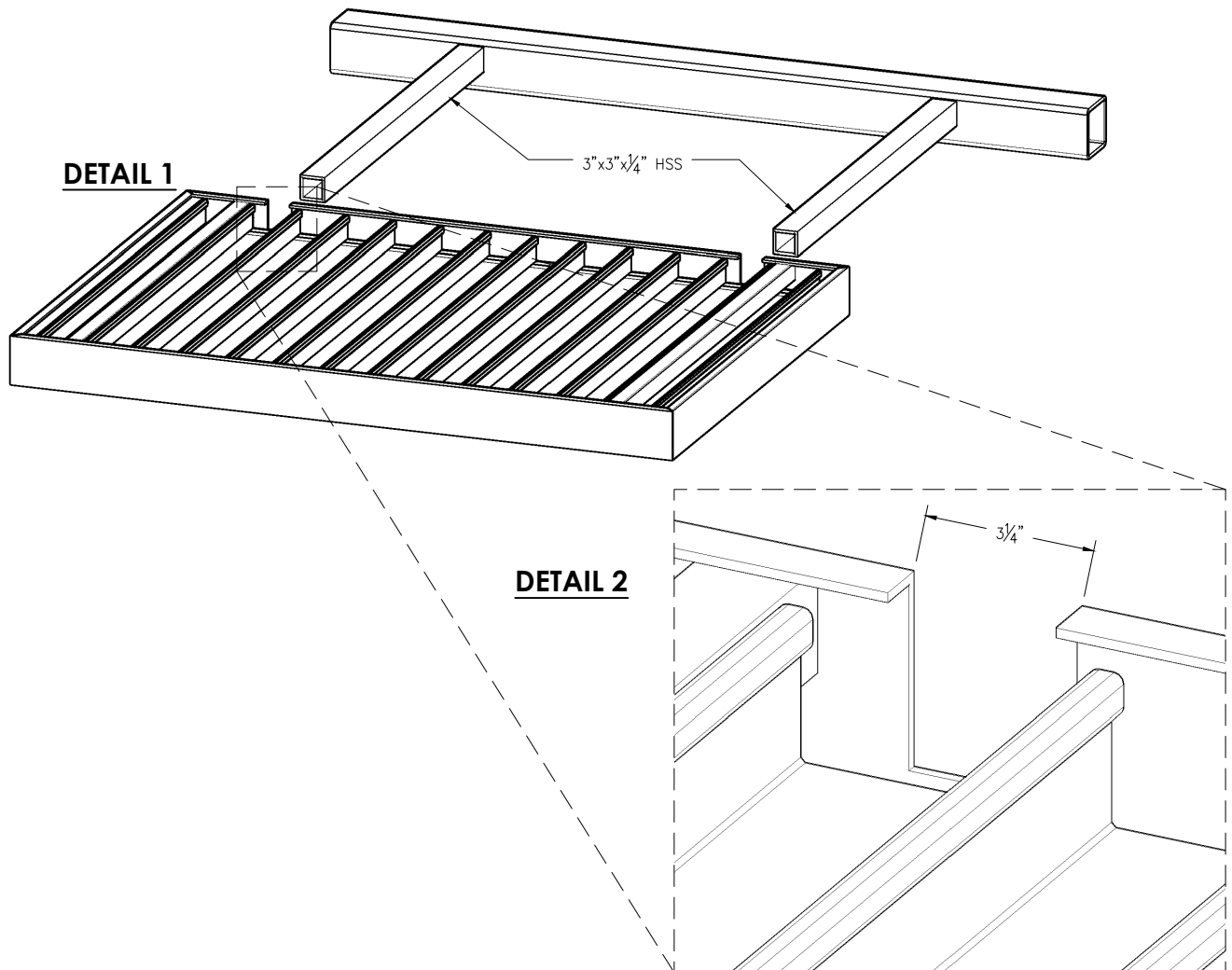


PART #
 #10 316 SS SMS OR SDS
 WITH NEOPRENE WASHER

STEP 1:

PROCEDURES:

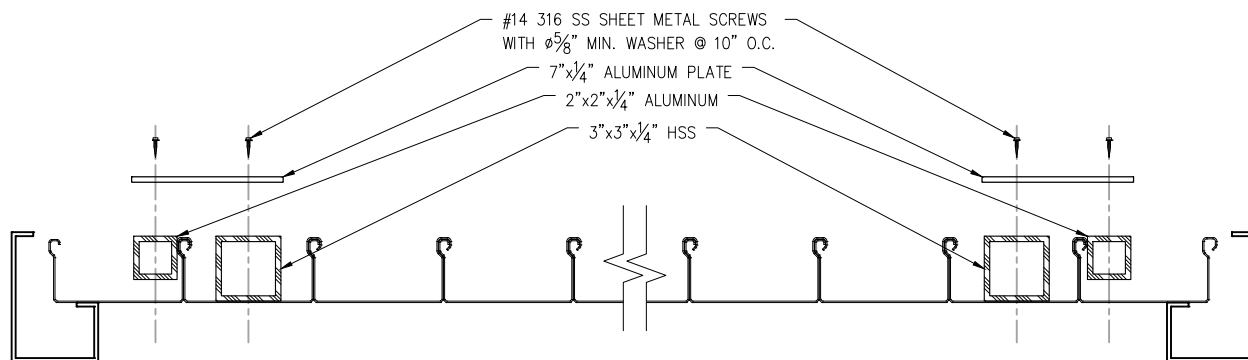
- Identify on the wall of the structure (2) 3" x 3" x 1/4" HSS.
- Ensure 3" x 3" x 1/4" HSS tubes are square, and level.
- Ensure 3" x 3" x 1/4" HSS tubes line up with square slots provided in back of canopy. See **DETAIL 2**.
- Slide canopy over tubes until canopy meets flush with the wall.



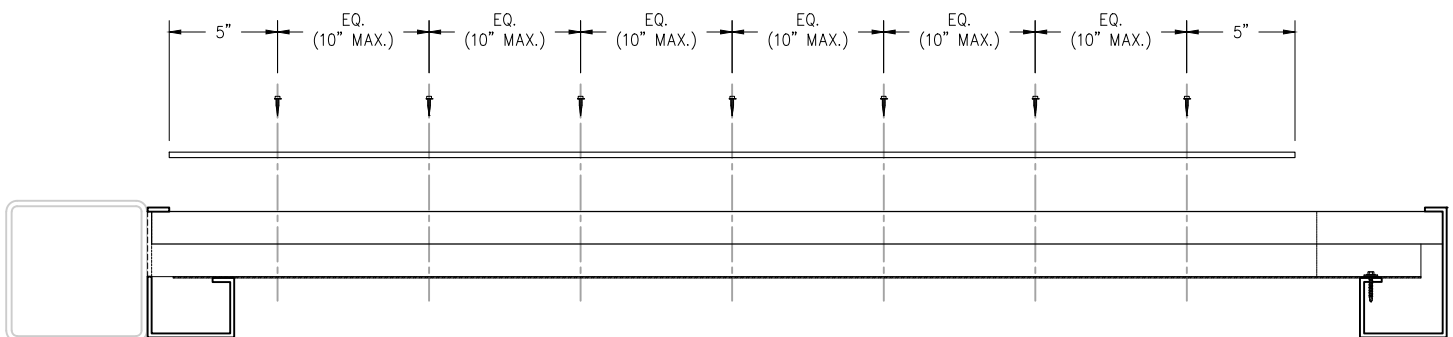
STEP 2:

PROCEDURES:

- With canopy tight to the wall, place the 7" aluminum plate provided in crate with canopy, covering both the HSS and Aluminum tube.
(see **DETAIL 3**)
- Equally space #14 316 SS Sheet Metal Screws on centerline (10" Max.) of both tubes applying them through the plate first.
(see **DETAIL 4**)



DETAIL 3

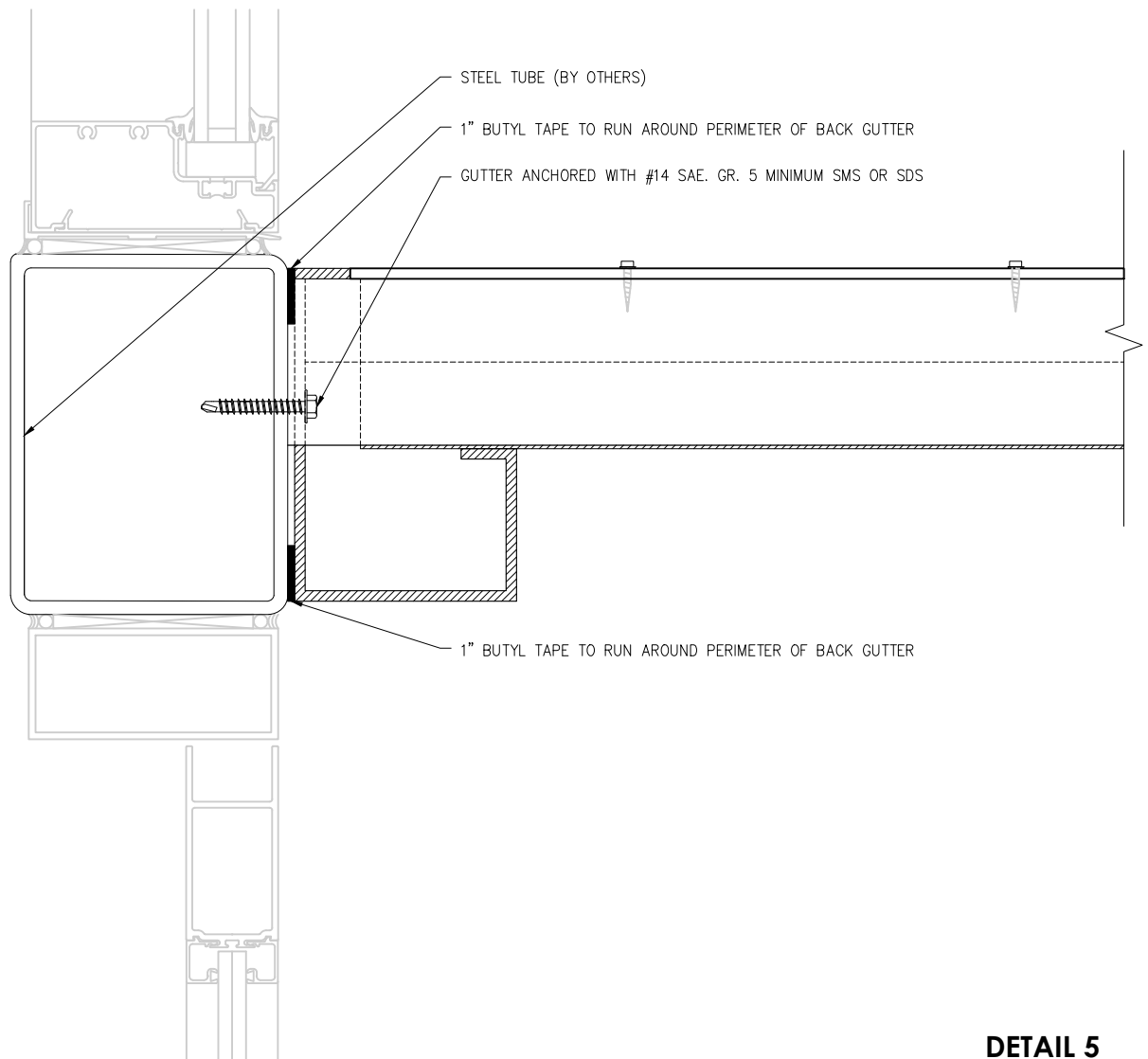


DETAIL 4

STEP 3

PROCEDURES:

- Screw in #14 SAE GR. 5 hardware into wall.
- Contractor to ensure waterproofing per waterproofing manufacturers recommended increments.



DETAIL 5

STEP 4

(OPTIONAL)

PROCEDURES:

- When lighting is added (by others), a galvanized $\text{Ø}5/8"$ pipe is placed in the gutter from the back of the canopy to the face of the canopy on the bottom side as a wire feed.
- Remove #10 machine screw allowing the 1"x5" angle to expose light fixture installation cavity.

