

## INSTALLATION INSTRUCTIONS



---

# TABLE OF CONTENTS

## PARTS DESCRIPTION

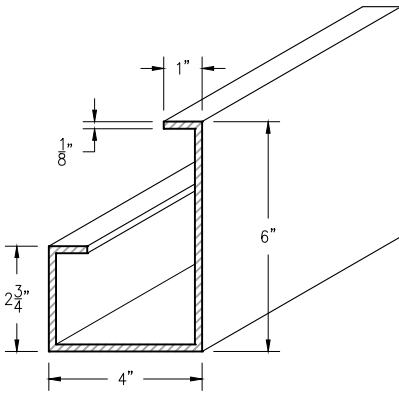
Canopy Members and Accessories ..... Page 1

## CANOPY ASSEMBLY

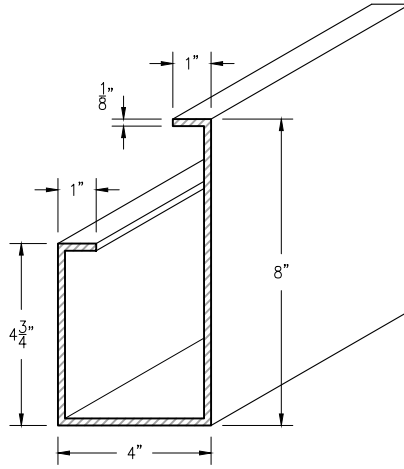
Attach Canopy to Wall ..... Page 2 - 4  
Apply Sealant to Frame ..... Page 4  
Attach Light Strip Under Face of Canopy ..... Page 5

**NOTE:**  
DRAWINGS NOT SHOWN TO SCALE  
UNLESS OTHERWISE NOTED.

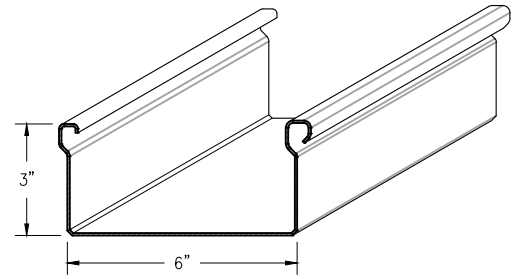
# PARTS LIST



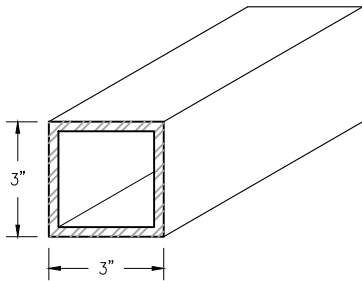
PART #  
 6" GUTTER BEAM (STANDARD)



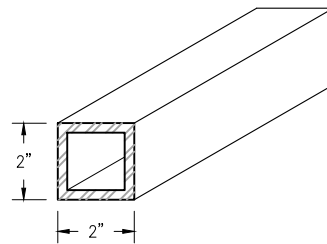
PART #  
 8" GUTTER BEAM (OPTIONAL)



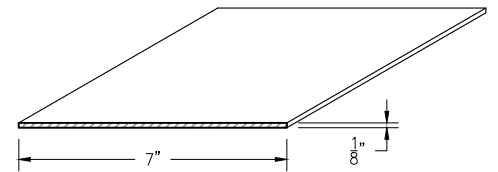
PART #  
 SELF-MATING DECKING



PART #  
 3"x3" HSS



PART #  
 2"x2" STIFFENER TUBE



PART #  
 7" FLAT PLATE



PART #  
 #14 316 SS SHEET METAL SCREW  
 WITH 5/8" WASHER

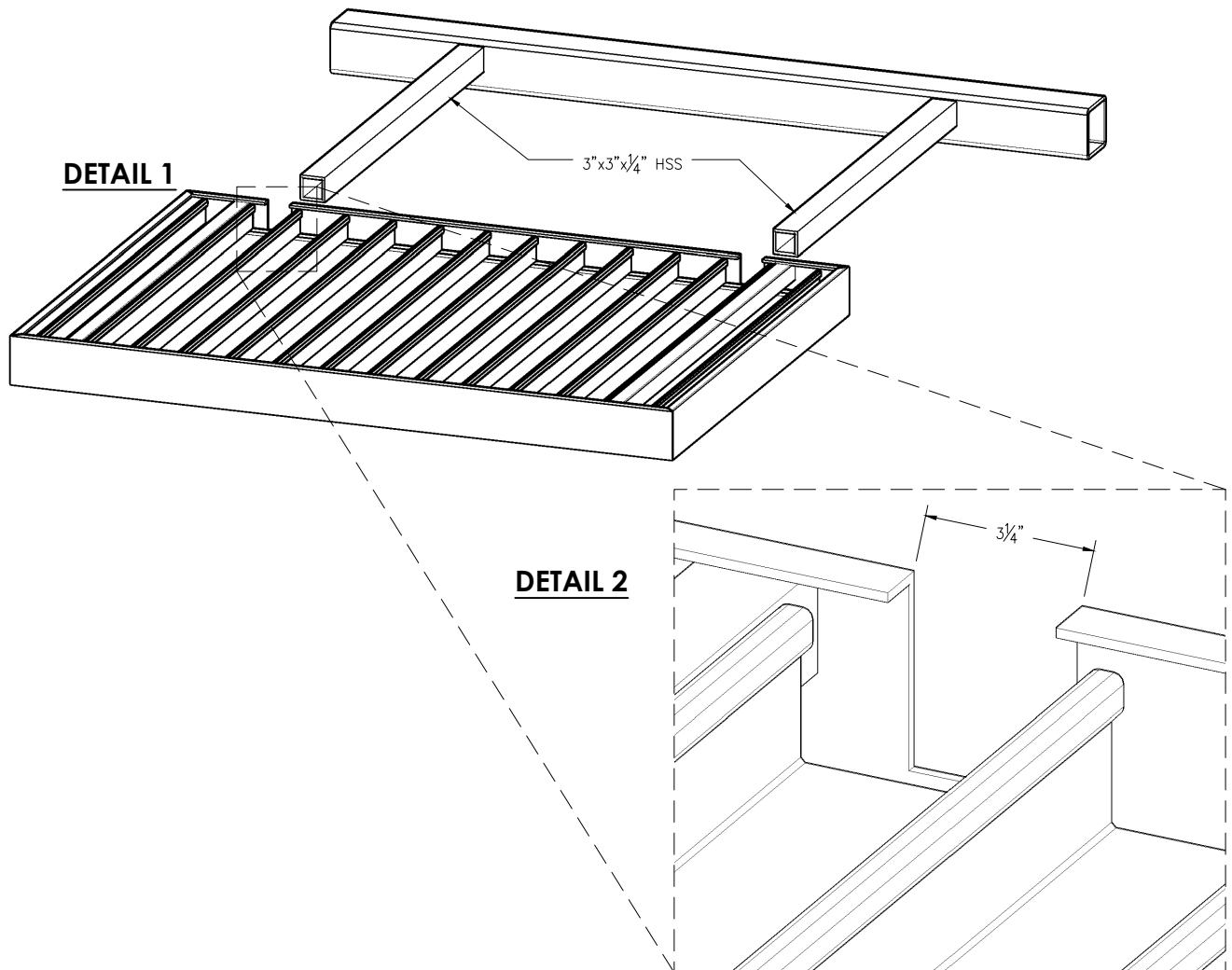


PART #  
 #10 316 SS SMS OR SDS  
 WITH NEOPRENE WASHER

**STEP 1:**

**PROCEDURES:**

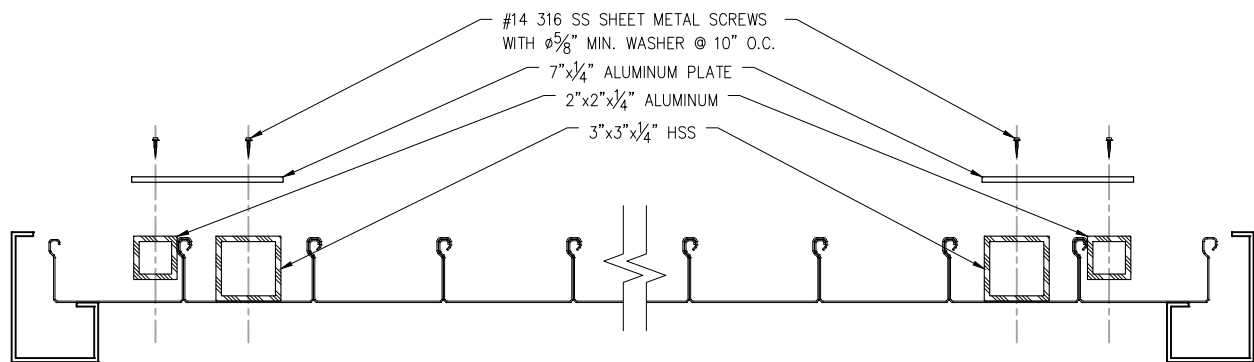
- Identify on the wall of the structure (2) 3" x 3" x 1/4" HSS.
- Ensure 3" x 3" x 1/4" HSS tubes are square, and level.
- Ensure 3" x 3" x 1/4" HSS tubes line up with square slots provided in back of canopy. See **DETAIL 2**.
- Slide canopy over tubes until canopy meets flush with the wall.



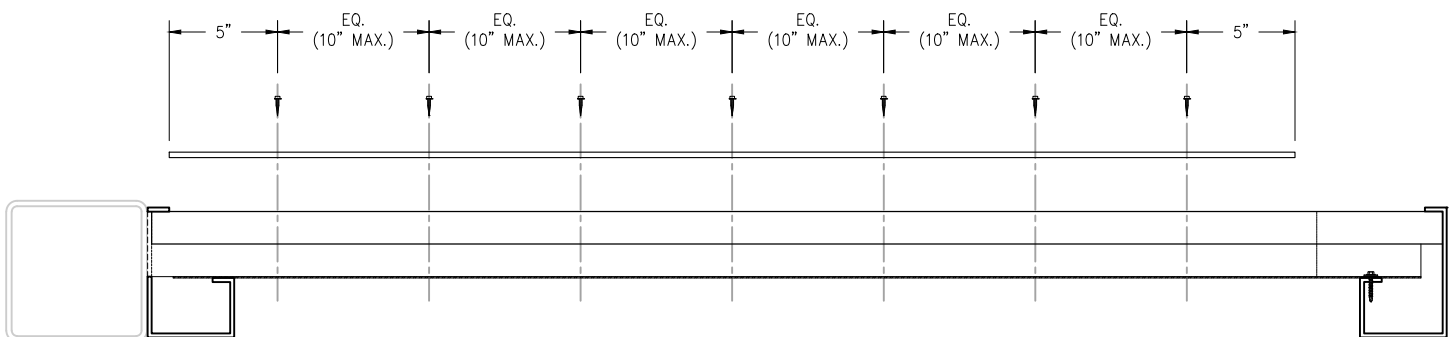
**STEP 2:**

**PROCEDURES:**

- With canopy tight to the wall, place the 7" aluminum plate provided in crate with canopy, covering both the HSS and Aluminum tube.  
(see **DETAIL 3**)
- Equally space #14 316 SS Sheet Metal Screws on centerline (10" Max.) of both tubes applying them through the plate first.  
(see **DETAIL 4**)



**DETAIL 3**

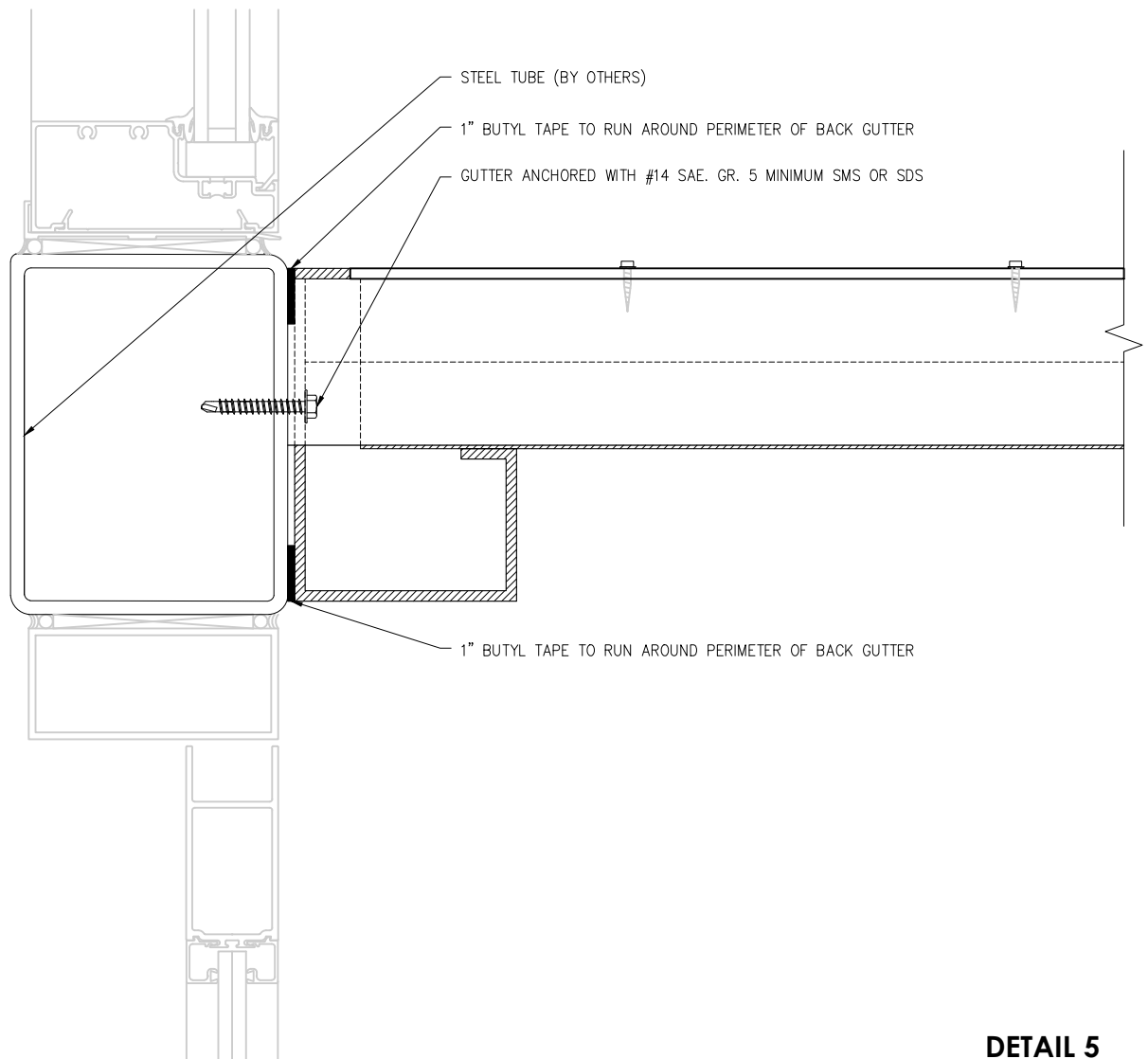


**DETAIL 4**

**STEP 3**

**PROCEDURES:**

- Screw in #14 SAE GR. 5 hardware into wall.
- Contractor to ensure waterproofing per waterproofing manufacturers recommended increments.



**DETAIL 5**

**STEP 4**

(OPTIONAL)

**PROCEDURES:**

- When lighting is added (by others), a galvanized  $\text{Ø}5/8$ " pipe is placed in the gutter from the back of the canopy to the face of the canopy on the bottom side as a wire feed.
- Remove #10 machine screw allowing the 1"x5" angle to expose light fixture installation cavity.

