

INSTALLATION INSTRUCTIONS

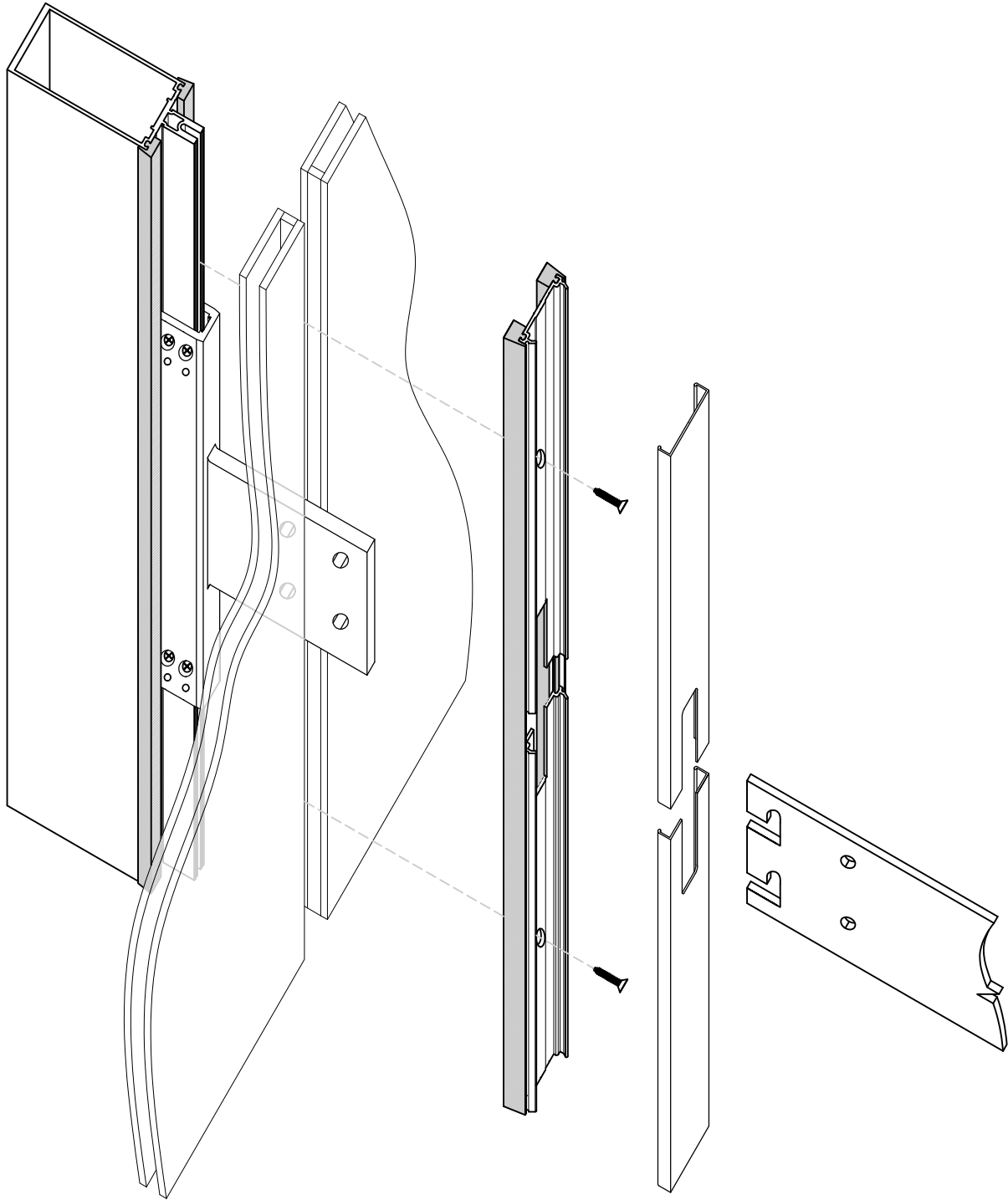




TABLE OF CONTENTS

PARTS LIST

Outriggers, Infill's, Fascia's, Brackets, and Fasteners. Page 1 - 6

SUNSHADE INSTALLATION

Apply Sealant to Seams and Joints Page 7

Install Face Cap and Hang Assemblies Page 8

NOTE:
DRAWINGS NOT SHOWN TO SCALE
UNLESS OTHERWISE NOTED.

PARTS LIST - OUTRIGGER OPTIONS



SC010004
 TRAPEZOID



SC010006
 TRAPEZOID



SC020004
 HALF ROUND



SC020006
 HALF ROUND



SC030004
 RECTANGLE



SC030006
 RECTANGLE

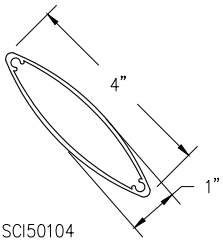
NOTE 1A:
 OUTRIGGERS ARE STOCKED IN
 30-INCH, 36-INCH, AND 42-INCH LENGTHS.

NOTE 1B:
 1/4" TYPICAL OUTRIGGER THICKNESS.

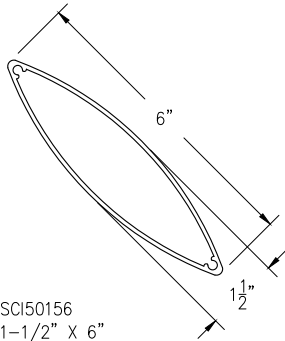


SC040006
 BULL NOSE

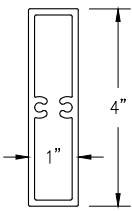
PARTS LIST - INFILL OPTIONS



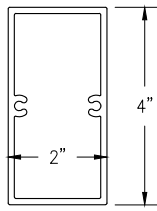
SCI50104
 1" X 4"
 HOLLOW BLADE



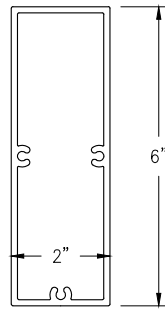
SCI50156
 1-1/2" X 6"
 HOLLOW BLADE



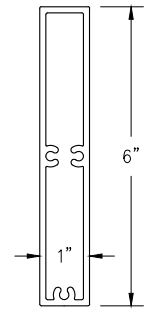
SCI30104
 1" X 4"
 HOLLOW RECTANGLE



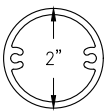
SCI30204
 2" X 4"
 HOLLOW RECTANGLE



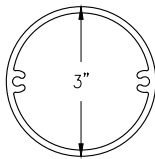
SCI30206
 2" X 6"
 HOLLOW RECTANGLE



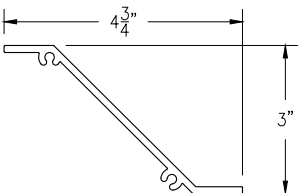
SCI30106
 1" X 6"
 HOLLOW RECTANGLE



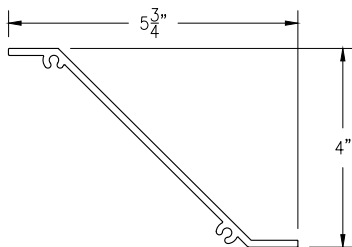
SCI20002
 2"
 HOLLOW TUBE



SCI20003
 3"
 HOLLOW TUBE



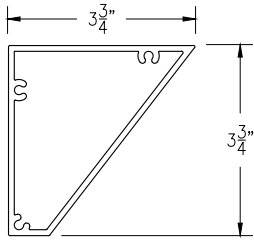
SCI60503
 5" X 3"
 Z-BLADE



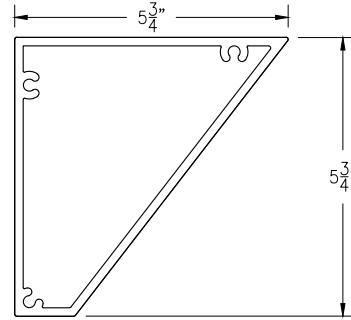
SCI60604
 6" X 4"
 Z-BLADE

NOTE 2A:
 INFILL'S WITH SCREW SPLINE ASSEMBLY.

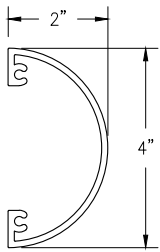
PARTS LIST - FASCIA OPTIONS



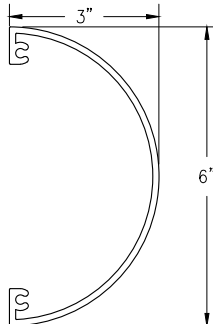
SCF10004
 4" FASCIA - TRAPEZOID



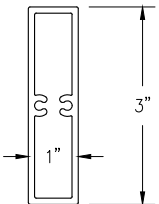
6" FASCIA - TRAPEZOID
 SCF10006



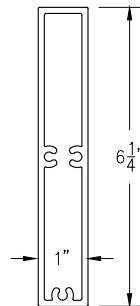
4" FASCIA - HALF ROUND
 SCF20204



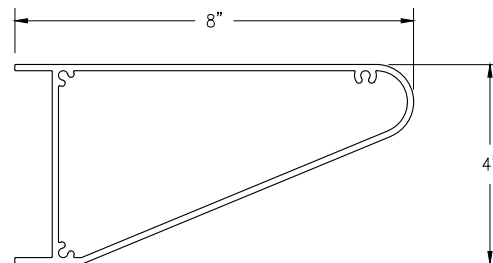
6" FASCIA - HALF ROUND
 SCF20306



4" FASCIA - HOLLOW RECTANGLE
 SCI30104

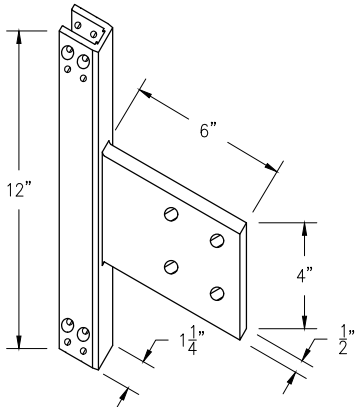


6" FASCIA - HOLLOW RECTANGLE
 SCI30106

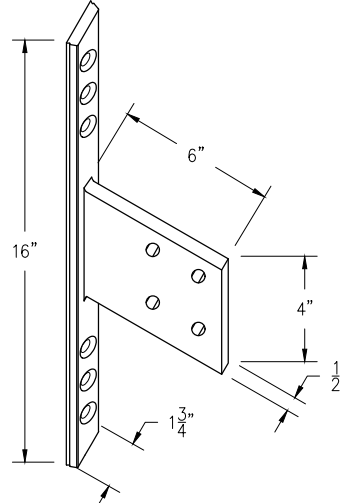


6" FASCIA - BULL NOSE
 SCF40804

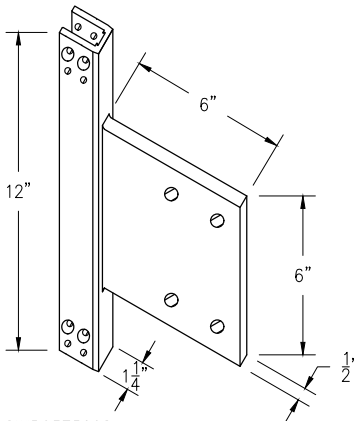
PARTS LIST - MOUNTING BRACKETS



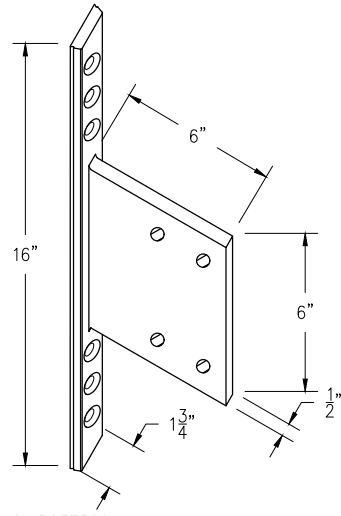
CWB037504S
 CURTAIN WALL BRACKET FOR CAPTURED GLAZING



CWB037504
 CURTAIN WALL INTERMEDIATE BRACKET FOR SSG

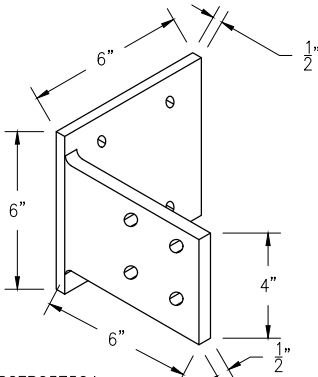


CWB037506S
 CURTAIN WALL BRACKET FOR CAPTURED GLAZING

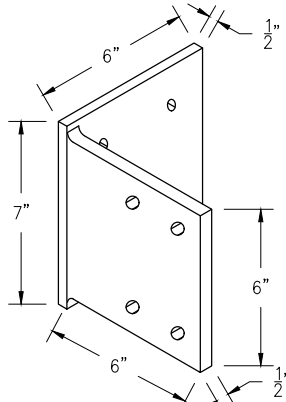


CWB037506
 CURTAIN WALL INTERMEDIATE BRACKET FOR SSG

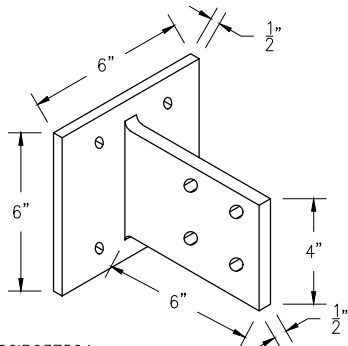
PARTS LIST - MOUNTING BRACKETS



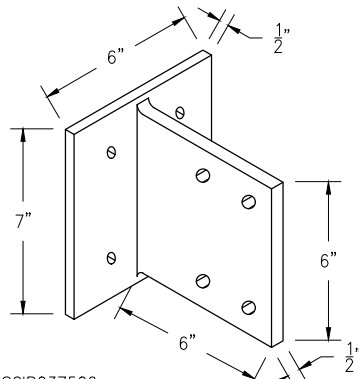
SCEB037504
 CONCRETE OR STEEL END BRACKET



SCEB037506
 CONCRETE OR STEEL END BRACKET



SCIB037504
 CONCRETE OR STEEL INTERMEDIATE BRACKET



SCIB037506
 CONCRETE OR STEEL INTERMEDIATE BRACKET

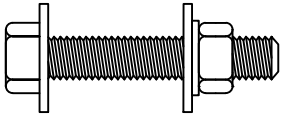
PARTS LIST - FASTENERS



FA0001
SCREW SPLINE FOR BLADE CONNECTION #12 X 1-1/4"

NOTE 4A:

All fasteners stainless steel.

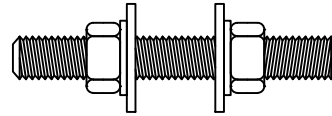


FA0011A
3/8" DIA. S.S. BOLT ASSEMBLY
(SEE NOTE 4B)

NOTE 4B:

Bolt assembly FA0011A includes the following-

- FA0011AC1: (1) 3/8" -16 x 2 Hex Bolt
- FA0011AC2: (2) 3/8" Flat Washers
- FA0011AC3: (1) 3/8" Lock Washer
- FA0011AC4: (1) 3/8"-16 Hex Lock Nut

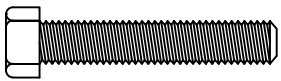


FA0012A
3/8" DIA. ALL THREAD ASSEMBLY
(SEE NOTE 4C)

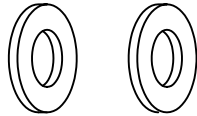
NOTE 4C:

Bolt assembly FA0012A includes the following-

- FA0012AC1: (1) 3/8" x 16 x 3" All Thread
- FA0012AC2: (2) 7/16" Flat Washers
- FA0012AC3: (2) 7/16" Lock Washer
- FA0012AC4: (2) 3/8"-16 Hex Lock Nut



FA0011AC1
3/8"-16 X 2 HEX BOLT



FA0011AC2
3/8" FLAT WASHERS



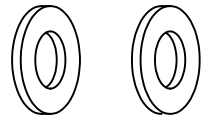
FA0011AC3
3/8" LOCK WASHER



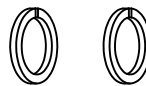
FA0011AC4
3/8"-16 HEX LOCK NUT



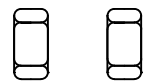
FA0012AC1
3/8" x 16 x 3" ALL THREAD



FA0012AC2
7/16" FLAT WASHERS



FA0012AC3
7/16" LOCK WASHERS



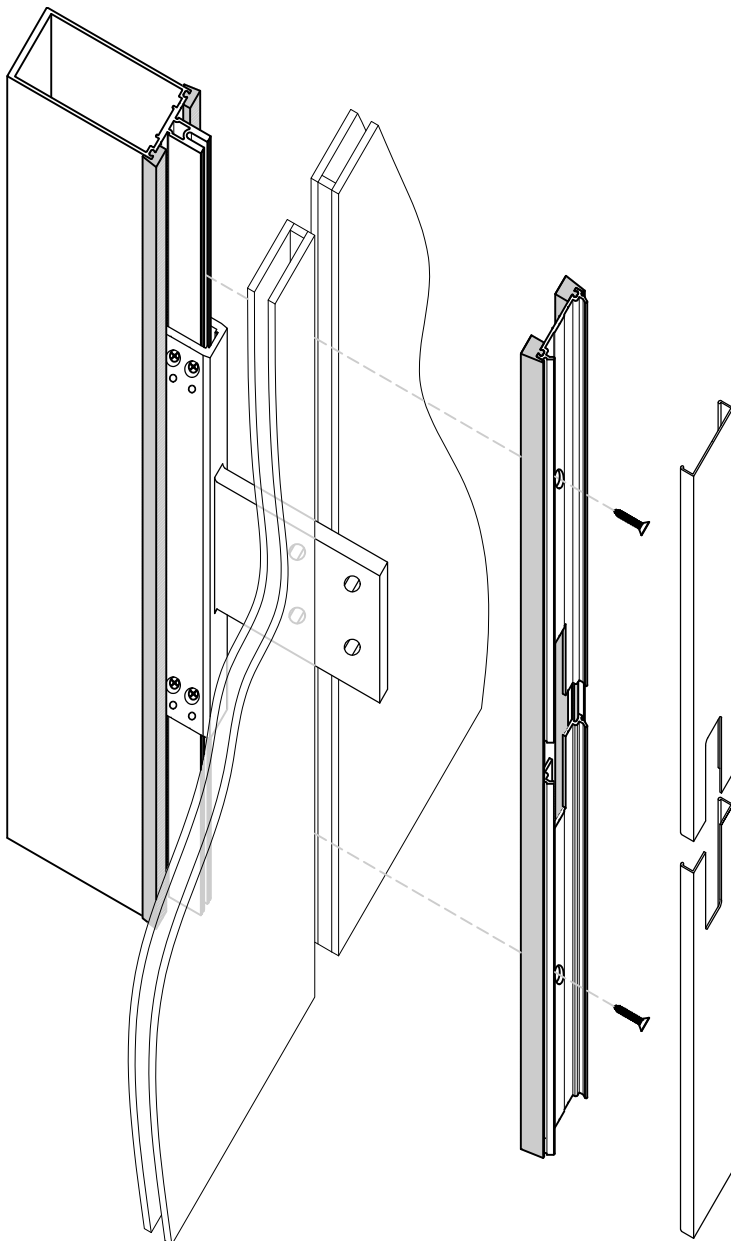
FA0012AC4
3/8" x 16 HEX LOCK NUTS

CURTAIN WALL APPLICATION

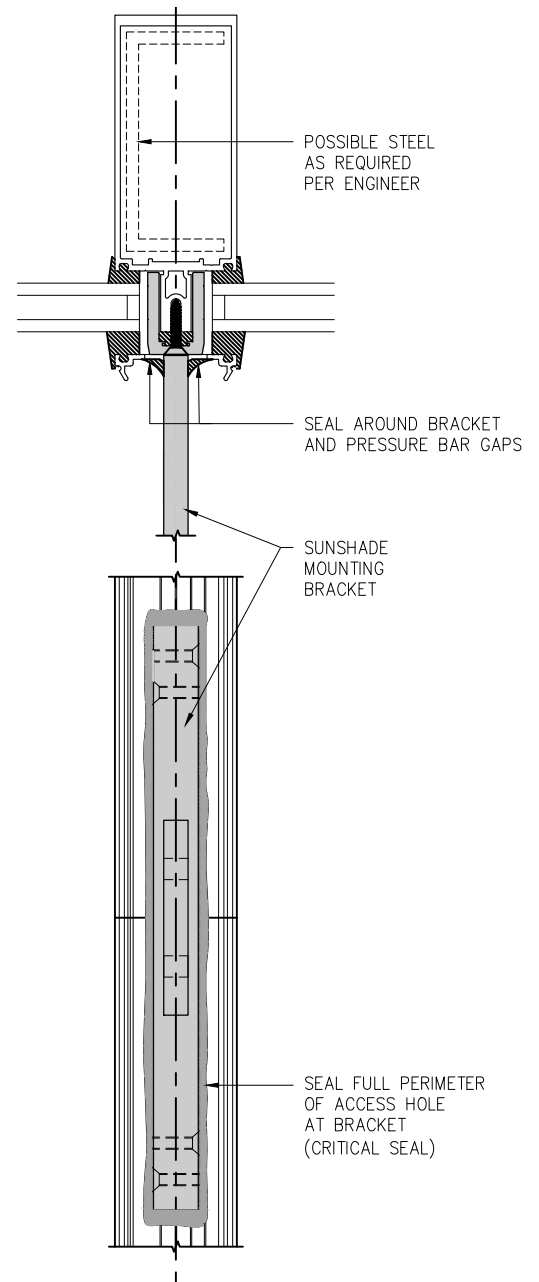
STEP 1

Once the curtain wall system is glazed and pressure cap is installed, the access hole that was created in the pressure bar and extended face cap needs to be sealed.

Detail 1



Detail 2

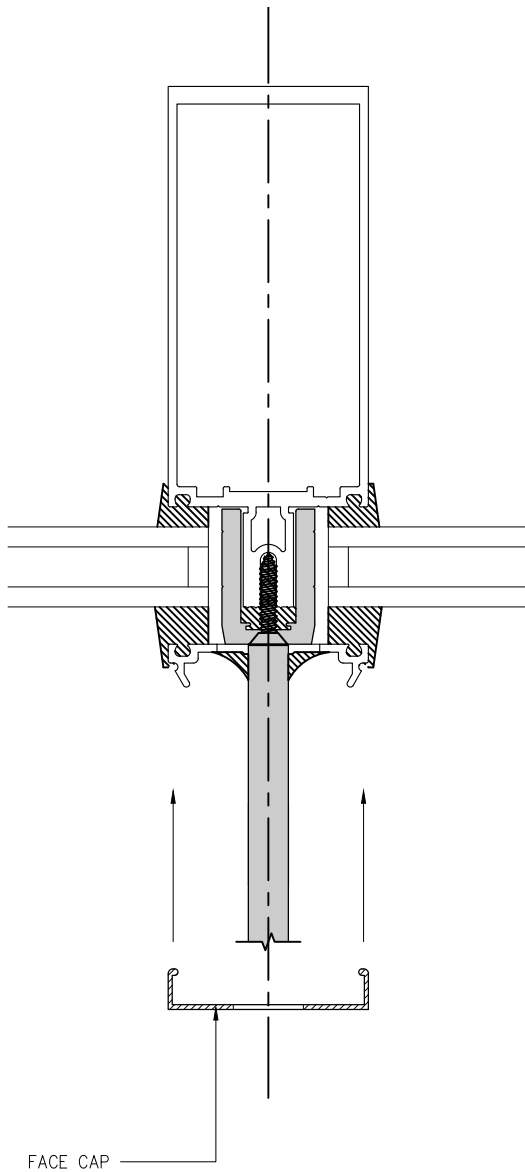


CURTAIN WALL APPLICATION

STEP 2

Install face cap to system.

Detail 3



Detail 4

